

PART I-01 ~ I-29

Diameter

● Shielded ○ non-Shielded

Switching Distance Sn mm

Housing Material

● With LED ○ Without LED

Dimensions (unit: mm)

Operating Voltage

Ripple

No Load Current

Max. Load Current

Leakge Current

Surge Current

Min. Load Current

Voltage Drop

Switching Frequency

Response Time

Switching Hysteresis

Repeat Accuracy

Protection Category

Operating Temperature

Temperature Drift

Short Circuit Protection

Overload Trip Point

Time Delay Before Availability

EMC

Shock / Vibration

Material Active Face

DC 3 wire 10-30V NPN N.O.

DC 3 wire 10-30V NPN N.C.

DC 3 wire 10-30V PNP N.O.

DC 3 wire 10-30V PNP N.C.

DC 4 wire 10-30V Changeover PNP (N.O. & N.C.)

DC 4 wire 10-30V Changeover NPN (N.O. & N.C.)

DC 2 wire 10-60V N.O.

DC 2 wire 10-60V N.C.

DC 3 wire 10-55v NPN N.O. or NAMUR

DC 3 wire 10-55v NPN N.C.

DC 3 wire 10-55v PNP N.O.

DC 3 wire 10-55v PNP N.C.

AC 2 wire 20-250V N.O.

AC 2 wire 20-250V N.C.

AC 2 wire 20-250V N.O. or N.C. Changeable

AC/DC 2 wire 20-250V N.O.

AC/DC 2 wire 20-250V N.C.

AC/DC 2 wire 20-250V N.O. or N.C. Changeable

Remark

Cable 2M (PVC)

Weight

Please put each catalog page in the blank. The specification on the left will help your reading.

INDUCTIVE SENSORS -Weld field immune

● Operating principle

Weld field immune inductive sensors work in the same way as standard inductive sensors. When a metal target approaches the active face of the sensor, energy is drawn from the oscillator causing a decrease of the amplitude.

This loss of amplitude is recognized in the detector circuit and converted in a defined ON or OFF signal at the output.

● Weld field immunity

Weld field immunity is achieved by the use of a special core material and a specially determined oscillator. The limit of the weld field immunity depends on the kind of field (DC or AC), the housing size of the sensor and its location in the field.

Sensors are tested during manufacturing, Under the worst case conditions in an AC field up to an AC field up to 160 meeting The figure opposite shows the characteristic of the magnetic induction depending on the current-carrying conductor. The magnetic induction close to a current-carrying conductor can be calculated approximatively by the formula:

$$B \approx \frac{0.2 \times I [A]}{r [mm]} \quad [mT]$$

Explication:

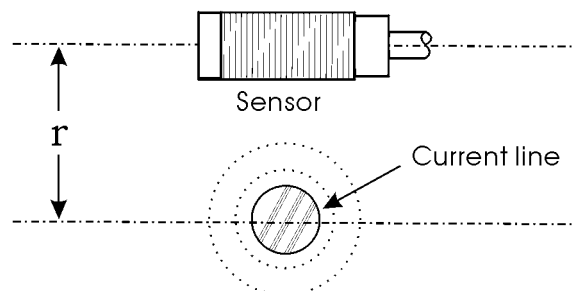
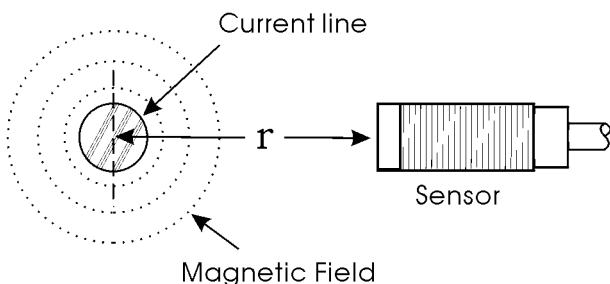
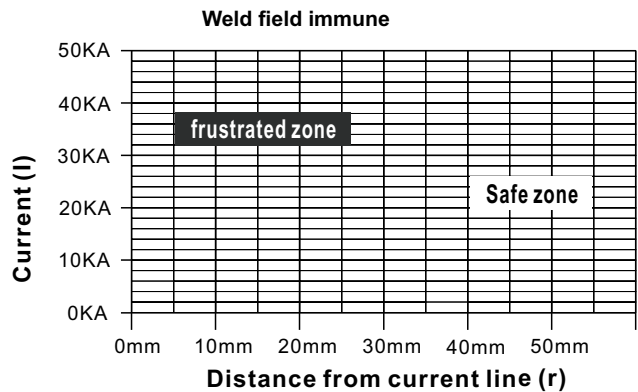
I = Current, carrying the conductor [A]

r = Distance between sensor and current carrying lines(in meters)

B = Magnetic induction [mT]

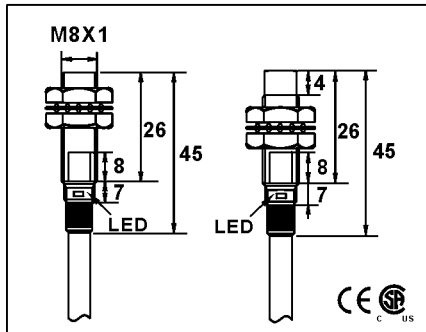
Some reference values for magnetic induction

I [kA]	Distance [mm]			
	12.5	25	50	100
5	80mT	40mT	20mT	10mT
10	160mT	80mT	40mT	20mT
20	320mT	160mT	80mT	40mT
50	800mT	400mT	200mT	100mT
100	1600mT	800mT	400mT	200mT



DC INDUCTIVE SENSORS WELD FIELD IMMUNE

M 8	
●	○
1mm	2mm
PTFE Coated Brass	
●	



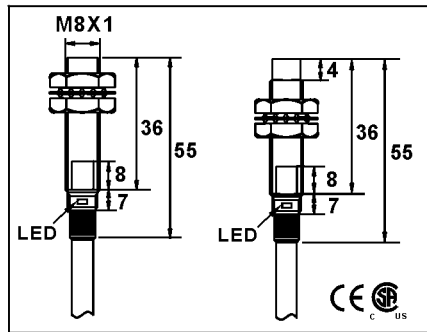
10-30VDC
<10%
<10mA
200mA
<0.01mA
-
-
<1.5V
2KHZ
0.1ms/0.1ms
<15%(Sr)
<1.0%(Sr)
IP67
-25°C - +70°C
<10%(Sr)
YES
220mA
<10ms
RFI>3V/m / EFT>1KV / ESD>4KV (contact)
IEC 60947-5-2,Part 7.4.1 / IEC 60947-5-2,Part 7.4.2
ETFE

WCM1-0801N-A3S2	1	WCM2-0802N-A3S2
WCM1-0801N-B3S2	2	WCM2-0802N-B3S2
WCM1-0801P-A3S2	3	WCM2-0802P-A3S2
WCM1-0801P-B3S2	4	WCM2-0802P-B3S2



3 ∅ 3x0.15
Approx.35 g

M 8	
●	○
1mm	2mm
PTFE Coated Brass	
●	



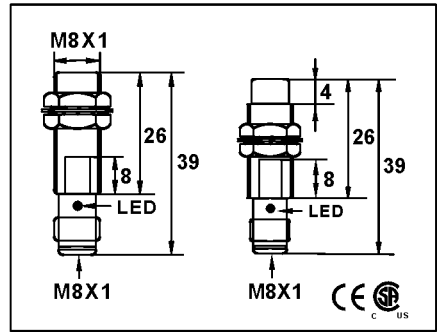
10-30VDC
<10%
<10mA
200mA
<0.01mA
-
-
<1.5V
2KHZ
0.1ms/0.1ms
<15%(Sr)
<1.0%(Sr)
IP67
-25°C - +70°C
<10%(Sr)
YES
220mA
<10ms
RFI>3V/m / EFT>1KV / ESD>4KV (contact)
IEC 60947-5-2,Part 7.4.1 / IEC 60947-5-2,Part 7.4.2
ETFE

WCM1-0801N-A3U2	1	WCM2-0802N-A3U2
WCM1-0801N-B3U2	2	WCM2-0802N-B3U2
WCM1-0801P-A3U2	3	WCM2-0802P-A3U2
WCM1-0801P-B3U2	4	WCM2-0802P-B3U2



3 ∅ 3x0.15
Approx.40 g

M 8	
●	○
1mm	2mm
PTFE Coated Brass	
●	



10-30VDC
<10%
<10mA
200mA
<0.01mA
-
-
<1.5V
2KHZ
0.1ms/0.1ms
<15%(Sr)
<1.0%(Sr)
IP67
-25°C - +70°C
<10%(Sr)
YES
220mA
<10ms
RFI>3V/m / EFT>1KV / ESD>4KV (contact)
IEC 60947-5-2,Part 7.4.1 / IEC 60947-5-2,Part 7.4.2
ETFE

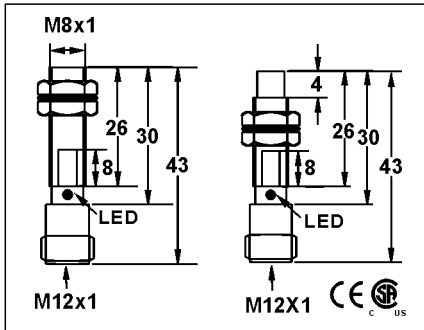
WCM1-0801N-ACS3	25	WCM2-0802N-ACS3
WCM1-0801N-BCS3	25	WCM2-0802N-BCS3
WCM1-0801P-ACS3	26	WCM2-0802P-ACS3
WCM1-0801P-BCS3	26	WCM2-0802P-BCS3



Approx.12 g

DC INDUCTIVE SENSORS WELD FIELD IMMUNE

M8	
●	○
1mm	2mm
PTFE Coated Brass	
●	

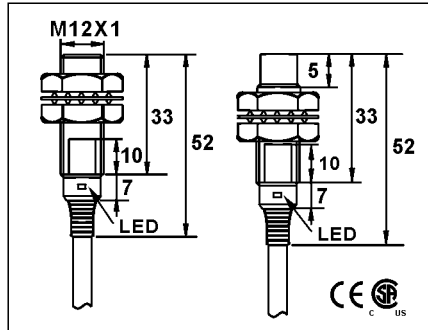


10-30VDC
<10%
<10mA
200mA
<0.01mA
-
-
<1.5V
2KHZ
0.1ms/0.1ms
<15%(Sr)
<1.0%(Sr)
IP67
-25°C - +70°C
<10%(Sr)
YES
220mA
<10ms
RFI>3V/m / EFT>1KV / ESD>4KV (contact)
IEC 60947-5-2,Part 7.4.1 / IEC 60947-5-2,Part 7.4.2
ETFE

WCM1-0801N-ARU4	29	WCM2-0802N-ARU4
WCM1-0801N-BRU4	30	WCM2-0802N-BRU4
WCM1-0801P-ARU4	31	WCM2-0802P-ARU4
WCM1-0801P-BRU4	32	WCM2-0802P-BRU4

Approx.15 g

M12	
●	○
2mm	4mm
PTFE Coated Brass	
●	

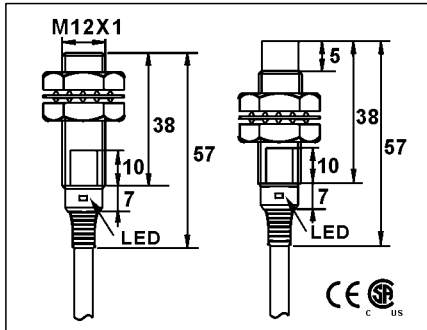


10-30VDC	
<10%	
<10mA	
200mA	
<0.01mA	
-	
-	
<1.5V	
2KHZ	1KHZ
0.1ms/0.1ms	0.2ms/0.2ms
<15%(Sr)	
<1.0%(Sr)	
IP67	
-25°C - +70°C	
<10%(Sr)	
YES	
220mA	
<10ms	
RFI>3V/m / EFT>1KV / ESD>4KV (contact)	
IEC 60947-5-2,Part 7.4.1 / IEC 60947-5-2,Part 7.4.2	
ETFE	

WCM1-1202N-A3S2	1	WCM2-1204N-A3S2
WCM1-1202N-B3S2	2	WCM2-1204N-B3S2
WCM1-1202P-A3S2	3	WCM2-1204P-A3S2
WCM1-1202P-B3S2	4	WCM2-1204P-B3S2

4 φ 3x0.15	4 φ 3x0.15
Approx.62 g	Approx.60 g

M12	
●	○
2mm	4mm
PTFE Coated Brass	
●	



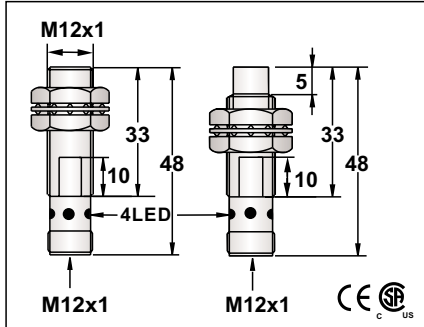
10-30VDC	
<10%	
<10mA	
200mA	
<0.01mA	
-	
-	
<1.5V	
2KHZ	1KHZ
0.1ms/0.1ms	0.2ms/0.2ms
<15%(Sr)	
<1.0%(Sr)	
IP67	
-25°C - +70°C	
<10%(Sr)	
YES	
220mA	
<10ms	
RFI>3V/m / EFT>1KV / ESD>4KV (contact)	
IEC 60947-5-2,Part 7.4.1 / IEC 60947-5-2,Part 7.4.2	
ETFE	

WCM1-1202N-A3U2	1	WCM2-1204N-A3U2
WCM1-1202N-B3U2	2	WCM2-1204N-B3U2
WCM1-1202P-A3U2	3	WCM2-1204P-A3U2
WCM1-1202P-B3U2	4	WCM2-1204P-B3U2

4 φ 3x0.15	4 φ 3x0.15
Approx.67 g	Approx.65 g

DC INDUCTIVE SENSORS WELD FIELD IMMUNE

M 12	
●	○
2 mm	4 mm
PTFE Coated Brass	
●	



10-30VDC
<10%
<10mA
200mA
<0.01mA
-
-
<1.5V

2KHZ 0.1ms/0.1ms	1KHZ 0.2ms/0.2ms
---------------------	---------------------

<15%(Sr)
<1.0%(Sr)

IP67
-25 °C - +70 °C
<10%(Sr)

YES
220mA
<10ms

RFI>3V/m / EFT>1KV / ESD>4KV (contact)
IEC 60947-5-2, Part 7.4.1 / IEC 60947-5-2, Part 7.4.2

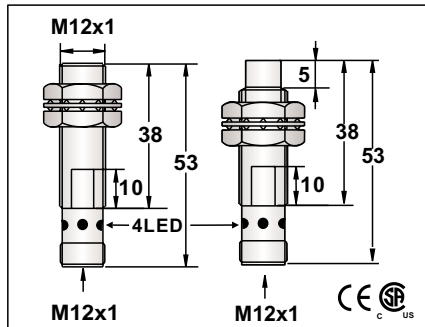
ETFE

WCM1-1202N-ARS4	29	WCM2-1204N-ARS4
WCM1-1202N-BRS4	30	WCM2-1204N-BRS4
WCM1-1202P-ARS4	31	WCM2-1204P-ARS4
WCM1-1202P-BRS4	32	WCM2-1204P-BRS4

--	--

Approx.25 g	Approx.23 g
-------------	-------------

M 12	
●	○
2 mm	4 mm
PTFE Coated Brass	
●	



10-30VDC
<10%
<10mA
200mA
<0.01mA
-
-
<1.5V

2KHZ 0.1ms/0.1ms	1KHZ 0.2ms/0.2ms
---------------------	---------------------

<15%(Sr)
<1.0%(Sr)

IP67
-25 °C - +70 °C
<10%(Sr)

YES
220mA
<10ms

RFI>3V/m / EFT>1KV / ESD>4KV (contact)
IEC 60947-5-2, Part 7.4.1 / IEC 60947-5-2, Part 7.4.2

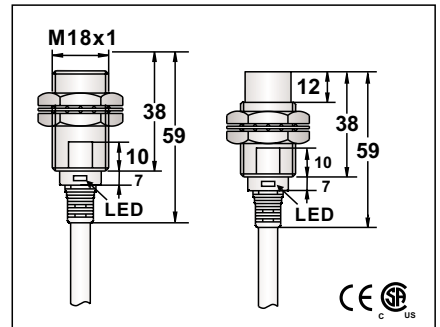
ETFE

WCM1-1202N-ARU4	29	WCM2-1204N-ARU4
WCM1-1202N-BRU4	30	WCM2-1204N-BRU4
WCM1-1202P-ARU4	31	WCM2-1204P-ARU4
WCM1-1202P-BRU4	32	WCM2-1204P-BRU4

--	--

Approx.31 g	Approx.30 g
-------------	-------------

M 18	
●	○
5 mm	8 mm
PTFE Coated Brass	
●	



10-30VDC
<10%
<10mA
200mA
<0.01mA
-
-
<1.5V

1KHZ 0.1ms/0.1ms	500HZ 0.2ms/0.2ms
---------------------	----------------------

<15%(Sr)
<1.0%(Sr)

IP67
-25 °C - +70 °C
<10%(Sr)

YES
220mA
<10ms

RFI>3V/m / EFT>1KV / ESD>4KV (contact)
IEC 60947-5-2, Part 7.4.1 / IEC 60947-5-2, Part 7.4.2

ETFE

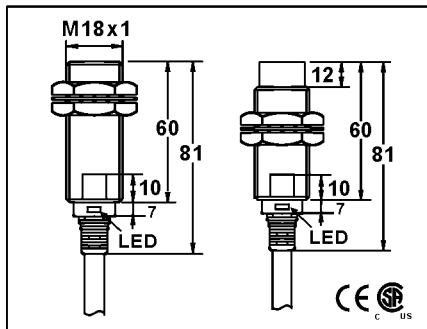
WCM1-1805N-A3S2	1	WCM2-1808N-A3S2
WCM1-1805N-B3S2	2	WCM2-1808N-B3S2
WCM1-1805P-A3S2	3	WCM2-1808P-A3S2
WCM1-1805P-B3S2	4	WCM2-1808P-B3S2

--	--

5.0 ϕ 44x0.1	
Approx.132 g	Approx.134 g

DC INDUCTIVE SENSORS WELD FIELD IMMUNE

M18	
●	○
5 mm	8 mm
PTFE Coated Brass	
●	

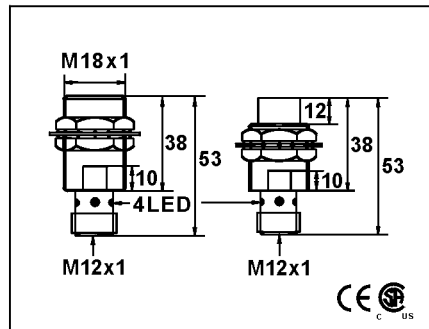


10-30VDC	
<10%	
<10mA	
200mA	
<0.01mA	
-	
-	
<1.5V	
1KHZ 0.2ms/0.2ms	500HZ 0.5ms/0.5ms
<15%(Sr)	
<1.0%(Sr)	
IP67	
-25 °C - +70 °C	
<10%(Sr)	
YES	
220mA	
<10ms	
RFI>3V/m / EFT>1KV / ESD>4KV (contact)	
IEC 60947-5-2,Part 7.4.1 / IEC 60947-5-2,Part 7.4.2	
ETFE	

WCM1-1805N-A3U2	1	WCM2-1808N-A3U2
WCM1-1805N-B3U2	2	WCM2-1808N-B3U2
WCM1-1805P-A3U2	3	WCM2-1808P-A3U2
WCM1-1805P-B3U2	4	WCM2-1808P-B3U2

5.0 ø 44x0.1	
Approx.153 g	Approx.144 g

M 18	
●	○
5 mm	8 mm
PTFE Coated Brass	
●	

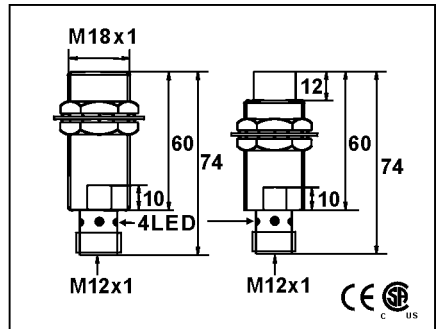


10-30VDC	
<10%	
<10mA	
200mA	
<0.01mA	
-	
-	
<1.5V	
1KHZ 0.2ms/0.2ms	500HZ 0.5ms/0.5ms
<15%(Sr)	
<1.0%(Sr)	
IP67	
-25 °C - +70 °C	
<10%(Sr)	
YES	
220mA	
<10ms	
RFI>3V/m / EFT>1KV / ESD>4KV (contact)	
IEC 60947-5-2,Part 7.4.1 / IEC 60947-5-2,Part 7.4.2	
ETFE	

WCM1-1805N-ARS4	29	WCM2-1808N-ARS4
WCM1-1805N-BRS4	30	WCM2-1808N-BRS4
WCM1-1805P-ARS4	31	WCM2-1808P-ARS4
WCM1-1805P-BRS4	32	WCM2-1808P-BRS4

Approx.50 g	
Approx.50 g	Approx.50 g

M 18	
●	○
5 mm	8 mm
PTFE Coated Brass	
●	



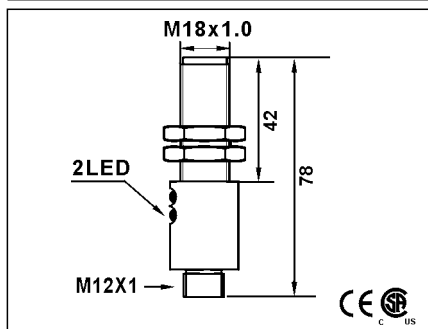
10-30VDC	
<10%	
<10mA	
200mA	
<0.01mA	
-	
-	
<1.5V	
1KHZ 0.2ms/0.2ms	500HZ 0.5ms/0.5ms
<15%(Sr)	
<1.0%(Sr)	
IP67	
-25 °C - +70 °C	
<10%(Sr)	
YES	
220mA	
<10ms	
RFI>3V/m / EFT>1KV / ESD>4KV (contact)	
IEC 60947-5-2,Part 7.4.1 / IEC 60947-5-2,Part 7.4.2	
ETFE	

WCM1-1805N-ARU4	29	WCM2-1808N-ARU4
WCM1-1805N-BRU4	30	WCM2-1808N-BRU4
WCM1-1805P-ARU4	31	WCM2-1808P-ARU4
WCM1-1805P-BRU4	32	WCM2-1808P-BRU4

Approx.94 g	
Approx.94 g	Approx.91 g

DC INDUCTIVE SENSORS WELD FIELD IMMUNE

M 18
●
5 mm
PTFE Coated Brass
●

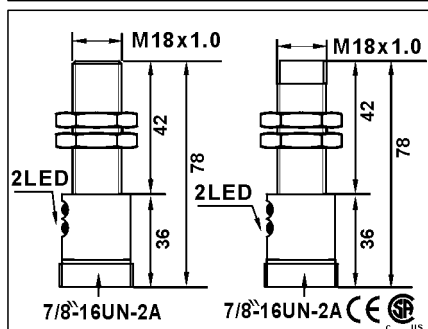


10-30VDC
<10%
<10mA
200mA
<0.01mA
-
-
<1.5V
1KHZ
0.2ms/0.2ms
<15%(Sr)
<1.0%(Sr)
IP67
-25°C - +70°C
<10%(Sr)
YES
220mA
<10ms
RFI>3V/m / EFT>1KV / ESD>4KV (contact)
IEC 60947-5-2,Part 7.4.1 / IEC 60947-5-2,Part 7.4.2
ETFE

WCM1-1805N-ARU4/2	29
WCM1-1805N-BRU4/2	30
WCM1-1805P-ARU4/2	31
WCM1-1805P-BRU4/2	32

Approx.94 g

M 18
●
5 mm 8 mm
PTFE Coated Brass
●

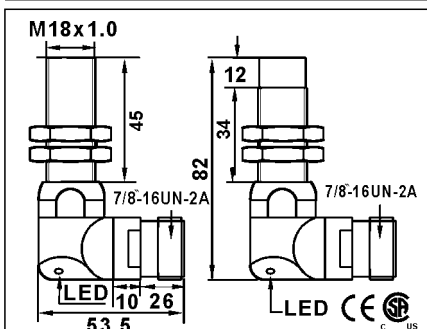


10-30VDC
<10%
<10mA
200mA
<0.01mA
-
-
<1.5V
1kHZ
0.2ms/0.2ms
<15%(Sr)
<1.0%(Sr)
IP67
-25°C - +70°C
<10%(Sr)
YES
220mA
<10ms
RFI>3V/m / EFT>1KV / ESD>4KV (contact)
IEC 60947-5-2,Part 7.4.1 / IEC 60947-5-2,Part 7.4.2
ETFE

WCM1-1805N-AZU4/2	1	WCM2-1808N-AZU4/2
WCM1-1805N-BZU4/2	2	WCM2-1808N-BZU4/2
WCM1-1805P-AZU4/2	3	WCM2-1808P-AZU4/2
WCM1-1805P-BZU4/2	4	WCM2-1808P-BZU4/2

Approx.94 g Approx.91 g

M 18
● ○
5 mm 8 mm
PTFE Coated Brass
●



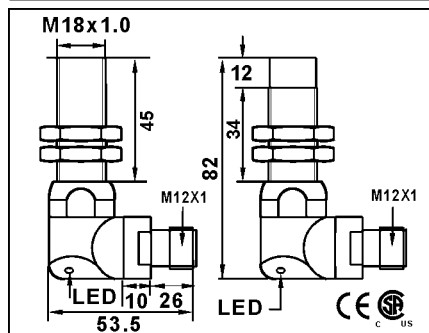
10-30VDC
<10%
<10mA
200mA
<0.01mA
-
-
<1.5V
1KHZ
0.2ms/0.2ms
<15%(Sr)
<1.0%(Sr)
IP67
-25°C - +70°C
<10%(Sr)
YES
220mA
<10ms
RFI>3V/m / EFT>1KV / ESD>4KV (contact)
IEC 60947-5-2,Part 7.4.1 / IEC 60947-5-2,Part 7.4.2
ETFE

WCM1-1805N-AZU4Y	37	WCM2-1808N-AZU4Y
WCM1-1805N-BZU4Y	38	WCM2-1808N-BZU4Y
WCM1-1805P-AZU4Y	39	WCM2-1808P-AZU4Y
WCM1-1805P-BZU4Y	40	WCM2-1808P-BZU4Y

Approx.251 g Approx.283 g

DC INDUCTIVE SENSORS WELD FIELD IMMUNE

M 18	
●	○
5 mm	8 mm
PTFE Coated Brass	



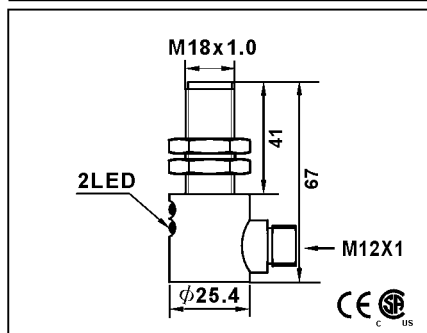
10-30VDC	10-30VDC
<10%	<10%
<10mA	<10mA
200mA	200mA
<0.01mA	<0.01mA
-	-
-	-
<1.5V	<1.5V
1KHZ	500HZ
0.2ms/0.2ms	0.5ms/0.5ms
<15%(Sr)	<15%(Sr)
<1.0%(Sr)	<1.0%(Sr)
IP67	IP67
-25°C - +70°C	-25°C - +70°C
<10%(Sr)	<10%(Sr)
YES	YES
220mA	220mA
<10ms	<10ms
RFI>3V/m / EFT>1KV / ESD>4KV (contact)	
IEC 60947-5-2, Part 7.4.1 / IEC 60947-5-2, Part 7.4.2	
ETFE	

WCM1-1805N-ARU4Y	29	WCM2-1808N-ARU4Y
WCM1-1805N-BRU4Y	30	WCM2-1808N-BRU4Y
WCM1-1805P-ARU4Y	31	WCM2-1808P-ARU4Y
WCM1-1805P-BRU4Y	32	WCM2-1808P-BRU4Y

--	--

Approx.251 g	Approx.283 g
--------------	--------------

M 18	
●	
5 mm	
PTFE Coated Brass	



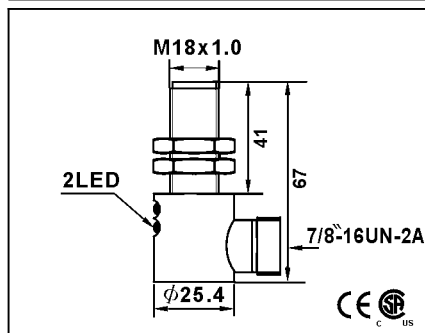
10-30VDC	10-30VDC
<10%	<10%
<10mA	<10mA
200mA	200mA
<0.01mA	<0.01mA
-	-
-	-
<1.5V	<1.5V
1KHZ	1KHZ
0.2ms/0.2ms	0.2ms/0.2ms
<15%(Sr)	<15%(Sr)
<1.0%(Sr)	<1.0%(Sr)
IP67	IP67
-25°C - +70°C	-25°C - +70°C
<10%(Sr)	<10%(Sr)
YES	YES
220mA	220mA
<10ms	<10ms
RFI>3V/m / EFT>1KV / ESD>4KV (contact)	
IEC 60947-5-2, Part 7.4.1 / IEC 60947-5-2, Part 7.4.2	
ETFE	

WCM1-1805N-ARU4Y/2	29
WCM1-1805N-BRU4Y/2	30
WCM1-1805P-ARU4Y/2	31
WCM1-1805P-BRU4Y/2	32

--	--

Approx.94 g

M 18	
●	
5 mm	
PTFE Coated Brass	






10-30VDC	10-30VDC
<10%	<10%
<10mA	<10mA
200mA	200mA
<0.01mA	<0.01mA
-	-
-	-
<1.5V	<1.5V
1KHZ	1KHZ
0.2ms/0.2ms	0.2ms/0.2ms
<15%(Sr)	<15%(Sr)
<1.0%(Sr)	<1.0%(Sr)
IP67	IP67
-25°C - +70°C	-25°C - +70°C
<10%(Sr)	<10%(Sr)
YES	YES
220mA	220mA
<10ms	<10ms
RFI>3V/m / EFT>1KV / ESD>4KV (contact)	
IEC 60947-5-2, Part 7.4.1 / IEC 60947-5-2, Part 7.4.2	
ETFE	

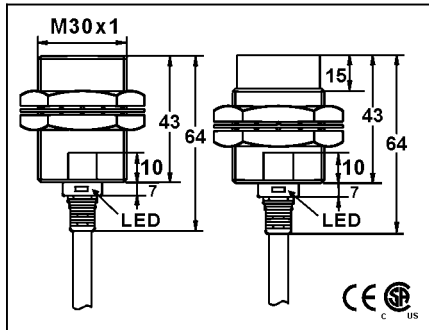
WCM1-1805N-AZU4Y/2	37
WCM1-1805N-BZU4Y/2	38
WCM1-1805P-AZU4Y/2	39
WCM1-1805P-BZU4Y/2	40

--	--

Approx.98 g

DC INDUCTIVE SENSORS WELD FIELD IMMUNE




M 30	
	
10 mm	15 mm
PTFE Coated Brass	
	

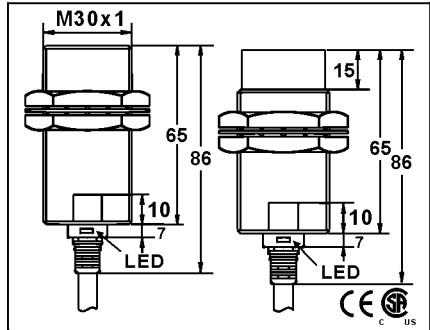


10-30VDC	
<10%	
<10mA	
200mA	
<0.01mA	
-	
-	
<1.5V	
300HZ 0.5ms/0.5ms	150HZ 1.0ms/1.0ms
<15%(Sr)	
<1.0%(Sr)	
IP67	
-25 °C - +70 °C	
<10%(Sr)	
YES	
220mA	
<10ms	
RFI>3V/m / EFT>1KV / ESD>4KV (contact)	
IEC 60947-5-2, Part 7.4.1 / IEC 60947-5-2, Part 7.4.2	
ETFE	

WCM1-3010N-A3S2	1	WCM2-3015N-A3S2	
WCM1-3010N-B3S2	2	WCM2-3015N-B3S2	
WCM1-3010P-A3S2	3	WCM2-3015P-A3S2	
WCM1-3010P-B3S2	4	WCM2-3015P-B3S2	

5.8φ 3x0.5	
Approx.217 g	Approx.207 g




M 30	
	
10 mm	15 mm
PTFE Coated Brass	
	

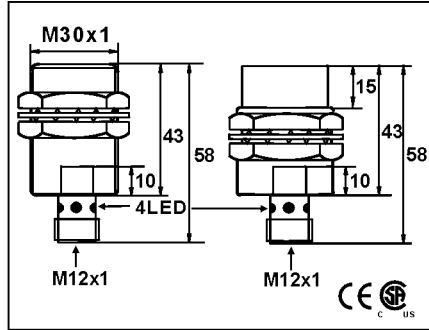


10-30VDC	
<10%	
<10mA	
200mA	
<0.01mA	
-	
-	
<1.5V	
300HZ 0.5ms/0.5ms	150HZ 1.0ms/1.0ms
<15%(Sr)	
<1.0%(Sr)	
IP67	
-25 °C - +70 °C	
<10%(Sr)	
YES	
220mA	
<10ms	
RFI>3V/m / EFT>1KV / ESD>4KV (contact)	
IEC 60947-5-2, Part 7.4.1 / IEC 60947-5-2, Part 7.4.2	
ETFE	

WCM1-3010N-A3U2	1	WCM2-3015N-A3U2	
WCM1-3010N-B3U2	2	WCM2-3015N-B3U2	
WCM1-3010P-A3U2	3	WCM2-3015P-A3U2	
WCM1-3010P-B3U2	4	WCM2-3015P-B3U2	

5.8φ 3x0.5	
Approx.227 g	Approx.217 g

M 30	
	
10 mm	15 mm
PTFE Coated Brass	
	



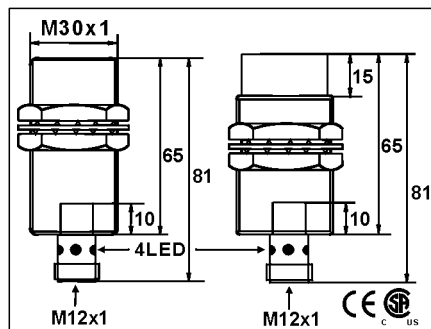
10-30VDC	
<10%	
<10mA	
200mA	
<0.01mA	
-	
-	
<1.5V	
300HZ 0.5ms/0.5ms	150HZ 1ms/1ms
<15%(Sr)	
<1.0%(Sr)	
IP67	
-25 °C - +70 °C	
<10%(Sr)	
YES	
220mA	
<10ms	
RFI>3V/m / EFT>1KV / ESD>4KV (contact)	
IEC 60947-5-2, Part 7.4.1 / IEC 60947-5-2, Part 7.4.2	
ETFE	

WCM1-3010N-ARS4	29	WCM2-3015N-ARS4	
WCM1-3010N-BRS4	30	WCM2-3015N-BRS4	
WCM1-3010P-ARS4	31	WCM2-3015P-ARS4	
WCM1-3010P-BRS4	32	WCM2-3015P-BRS4	

5.8φ 3x0.5	
Approx.111 g	Approx.121 g

DC INDUCTIVE SENSORS WELD FIELD IMMUNE

M 30	
●	○
10 mm	15 mm
PTFE Coated Brass	
●	



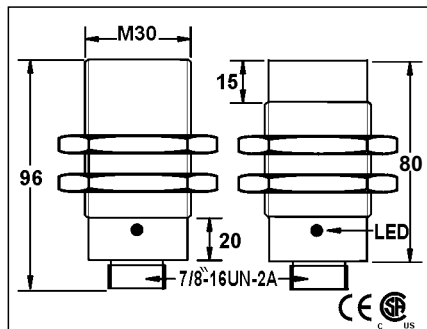
10-30VDC	
<10%	
<10mA	
200mA	
<0.01mA	
-	
-	
<1.5V	
300HZ	150HZ
0.5ms/0.5ms	1ms/1ms
<15%(Sr)	
<1.0%(Sr)	
IP67	
-25°C - +70°C	
<10%(Sr)	
YES	
220mA	
<10ms	
RFI>3V/m / EFT>1KV / ESD>4KV (contact)	
IEC 60947-5-2,Part 7.4.1 / IEC 60947-5-2,Part 7.4.2	
ETFE	

WCM1-3010N-ARU4	29	WCM2-3015N-ARU4
WCM1-3010N-BRU4	30	WCM2-3015N-BRU4
WCM1-3010P-ARU4	31	WCM2-3015P-ARU4
WCM1-3010P-BRU4	32	WCM2-3015P-BRU4

--	--

Approx.187 g	Approx.179 g
--------------	--------------

M 30	
●	○
10 mm	15 mm
PTFE Coated Brass	
●	



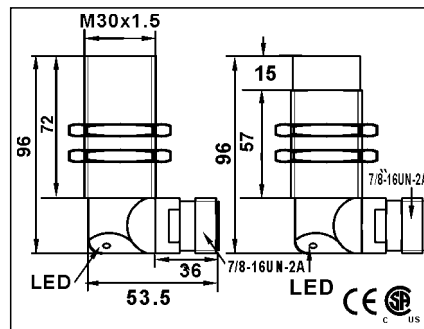
10-30VDC	
<10%	
<10mA	
200mA	
<0.01mA	
-	
-	
<1.5V	
300HZ	150HZ
0.5ms/0.5ms	1ms/1ms
<15%(Sr)	
<1.0%(Sr)	
IP67	
-25°C - +70°C	
<10%(Sr)	
YES	
220mA	
<10ms	
RFI>3V/m / EFT>1KV / ESD>4KV (contact)	
IEC 60947-5-2,Part 7.4.1 / IEC 60947-5-2,Part 7.4.2	
PBT	

WCM1-3010N-AZU4	37	WCM2-3015N-AZU4
WCM1-3010N-BZU4	38	WCM2-3015N-BZU4
WCM1-3010P-AZU4	39	WCM2-3015P-AZU4
WCM1-3010P-BZU4	40	WCM2-3015P-BZU4

--	--

Approx.187 g	Approx.179 g
--------------	--------------

M 30	
●	○
10 mm	15 mm
PTFE Coated Brass	
●	



10-30VDC	
<10%	
<10mA	
200mA	
<0.01mA	
-	
-	
<1.5V	
0.5ms/0.5ms	1ms/1ms
300HZ	150HZ
<15%(Sr)	
<1.0%(Sr)	
IP67	
-25°C - +70°C	
<10%(Sr)	
YES	
220mA	
<10ms	
RFI>3V/m / EFT>1KV / ESD>4KV (contact)	
IEC 60947-5-2,Part 7.4.1 / IEC 60947-5-2,Part 7.4.2	
ETFE	

WCM1-3010N-AZU4Y	37	WCM2-3015N-AZU4Y
WCM1-3010N-BZU4Y	38	WCM2-3015N-BZU4Y
WCM1-3010P-AZU4Y	39	WCM2-3015P-AZU4Y
WCM1-3010P-BZU4Y	40	WCM2-3015P-BZU4Y

--	--

Approx.311 g	Approx.356 g
--------------	--------------

DC INDUCTIVE SENSORS WELD FIELD IMMUNE

M 30			
10 mm			15 mm
PTFE Coated Brass			
10-30VDC			
<10%			
<10mA			
200mA			
<0.01mA			
-			
-			
<1.5V			
300HZ		150HZ	
0.5ms/0.5ms		1ms/1ms	
<15%(Sr)			
<1.0%(Sr)			
IP67			
-25 °C - +70 °C			
<10%(Sr)			
YES			
220mA			
<10ms			
RFI>3V/m / EFT>1KV / ESD>4KV (contact)			
IEC 60947-5-2, Part 7.4.1 / IEC 60947-5-2, Part 7.4.2			
ETFE			
WCM1-3010N-ARU4Y	29	WCM2-3015N-ARU4Y	
WCM1-3010N-BRU4Y	30	WCM2-3015N-BRU4Y	
WCM1-3010P-ARU4Y	31	WCM2-3015P-ARU4Y	
WCM1-3010P-BRU4Y	32	WCM2-3015P-BRU4Y	
Approx.311 g		Approx.356 g	

M 30			
10 mm			
PTFE Coated Brass			
10-30VDC			
<10%			
<10mA			
200mA			
<0.01mA			
-			
-			
<1.5V			
300HZ		0.5ms/0.5ms	
<15%(Sr)			
<1.0%(Sr)			
IP67			
-25 °C - +70 °C			
<10%(Sr)			
YES			
220mA			
<10ms			
RFI>3V/m / EFT>1KV / ESD>4KV (contact)			
IEC 60947-5-2, Part 7.4.1 / IEC 60947-5-2, Part 7.4.2			
ETFE			
WCM1-3010N-ARU4Y/2	29		
WCM1-3010N-BRU4Y/2	30		
WCM1-3010P-ARU4Y/2	31		
WCM1-3010P-BRU4Y/2	32		
Approx.250 g			

M 30			
10 mm			
PTFE Coated Brass			
10-30VDC			
<10%			
<10mA			
200mA			
<0.01mA			
-			
-			
<1.5V			
300HZ		0.5ms/0.5ms	
<15%(Sr)			
<1.0%(Sr)			
IP67			
-25 °C - +70 °C			
<10%(Sr)			
YES			
220mA			
<10ms			
RFI>3V/m / EFT>1KV / ESD>4KV (contact)			
IEC 60947-5-2, Part 7.4.1 / IEC 60947-5-2, Part 7.4.2			
ETFE			
WCM1-3010N-AZU4Y/2	37		
WCM1-3010N-BZU4Y/2	38		
WCM1-3010P-AZU4Y/2	39		
WCM1-3010P-BZU4Y/2	40		
Approx.250 g			

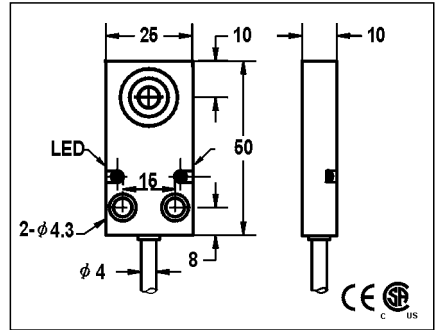
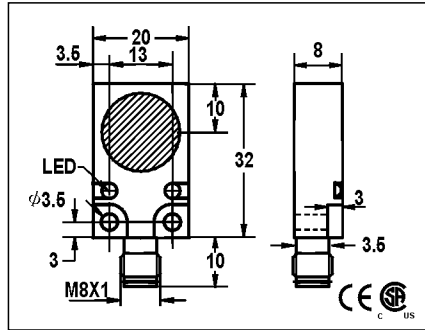
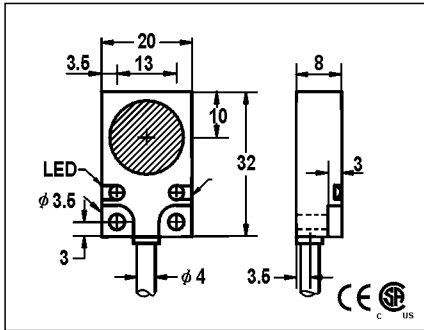
Q25x32x10 , Q25x50x10

DC INDUCTIVE SENSORS WELD FIELD IMMUNE

Q20x32x10
●
5 mm
PTFE Coated die-cast
●

Q20X32X10
● ○
5 mm
PTFE Coated die-cast
●

Q25x50x10
●
5 mm
PTFE Coated die-cast
●



10-30VDC
<10%
<10mA
200mA
<0.01mA
-
-
<1.5V
1KHZ
0.2ms/0.2ms
<15%(Sr)
<1.0%(Sr)
IP67
-25 °C - +70 °C
<10%(Sr)
YES
220mA
<10ms
RFI>3V/m / EFT>1KV / ESD>4KV (contact)
IEC 60947-5-2,Part 7.4.1 / IEC 60947-5-2,Part 7.4.2
ETFE

10-30VDC
<10%
<10mA
200mA
<0.01mA
-
-
<1.5V
1KHZ
0.2ms/0.2ms
<15%(Sr)
<1.0%(Sr)
IP67
-25 °C - +70 °C
<10%(Sr)
YES
220mA
<10ms
RFI>3V/m / EFT>1KV / ESD>4KV (contact)
IEC 60947-5-2,Part 7.4.1 / IEC 60947-5-2,Part 7.4.2
ETFE

10-30VDC
<10%
<10mA
200mA
<0.01mA
-
-
<1.5V
1KHZ
0.2ms/0.2ms
<15%(Sr)
<1.0%(Sr)
IP67
-25 °C - +70 °C
<10%(Sr)
YES
220mA
<10ms
RFI>3V/m / EFT>1KV / ESD>4KV (contact)
IEC 60947-5-2,Part 7.4.1 / IEC 60947-5-2,Part 7.4.2
ETFE

WQM1-2005N-A3U2T	1
WQM1-2005N-B3U2T	2
WQM1-2005P-A3U2T	3
WQM1-2005P-B3U2T	4

WQM1-2005N-ACU3	25
WQM1-2005N-BCU3	25
WQM1-2005P-ACU3	26
WQM1-2005P-BCU3	26

WQM1-2505N-A3U2T	1
WQM1-2505N-B3U2T	2
WQM1-2505P-A3U2T	3
WQM1-2505P-B3U2T	4

4 φ 3x0.15
Approx.55 g

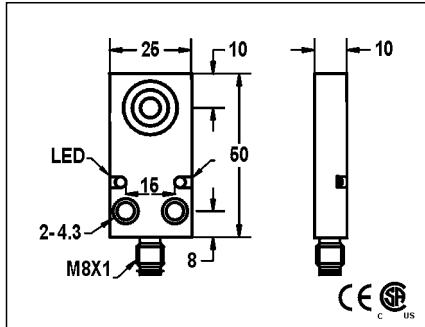
Approx.45 g

4 φ 3x0.15
Approx.100 g

DC INDUCTIVE SENSORS WELD FIELD IMMUNE

Q25x50x10

●
5 mm
PTFE Coated die-cast
●



10-30VDC
<10%
<10mA
200mA
<0.01mA
-
-
<1.5V
1KHZ
0.2ms/0.2ms
<15%(Sr)
<1.0%(Sr)
IP67
-25°C - +70°C
<10%(Sr)
YES
220mA
<10ms

RFI>3V/m / EFT>1KV / ESD>4KV (contact)
IEC 60947-5-2,Part 7.4.1 / IEC 60947-5-2,Part 7.4.2
ETFE

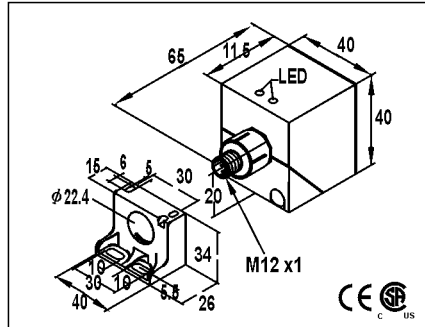
WQM1-2505N-ACU3	25
WQM1-2505N-BCU3	25
WQM1-2505P-ACU3	26
WQM1-2505P-BCU3	26



Approx.61 g

Q40s

●
15mm
PTFE Coated PBT / ALU
●



10-30VDC
<10%
<10mA
200mA
<0.01mA
-
-
<1.5V
100HZ
1ms/1ms
<15%
<1.0%(Sr)
IP67
-25°C - +70°C
<10%(Sr)
YES
220mA
<10ms

RFI>3V/m / EFT>1KV / ESD>4KV (contact)
IEC 60947-5-2,Part 7.4.1 / IEC 60947-5-2,Part 7.4.2
ETFE

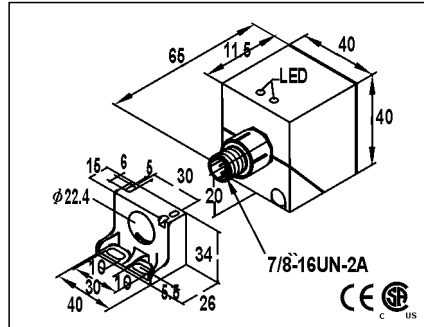
WQP1-4015N-ARS4	29
WQP1-4015N-BRS4	30
WQP1-4015P-ARS4	31
WQP1-4015P-BRS4	32



Approx.250g

Q40s

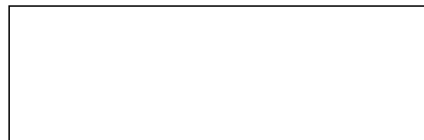
●
15mm
PTFE Coated PBT / ALU
●



10-30VDC
<10%
<10mA
200mA
<0.01mA
-
-
<1.5V
100HZ
1ms/1ms
<15%
<1.0%(Sr)
IP67
-25°C - +70°C
<10%(Sr)
YES
220mA
<10ms

RFI>3V/m / EFT>1KV / ESD>4KV (contact)
IEC 60947-5-2,Part 7.4.1 / IEC 60947-5-2,Part 7.4.2
ETFE

WQP1-4015N-AZS4	37
WQP1-4015N-BZS4	38
WQP1-4015P-AZS4	39
WQP1-4015P-BZS4	40



Approx.250g

AC INDUCTIVE SENSORS WELD FIELD IMMUNE

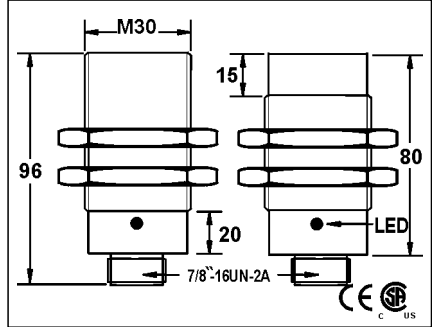
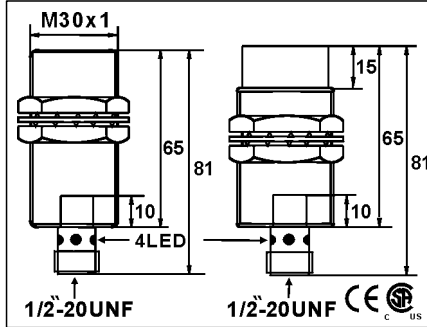
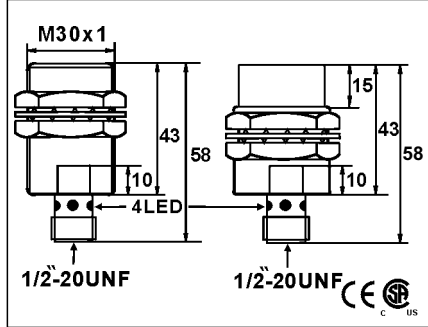
Q40s		
●		
15mm		
PTFE Coated PBT / ALU		
●		
20-250VDC		
<10%		
<10mA		
200mA		
<0.01mA		
-		
-		
<1.5V		
100HZ		
1ms/1ms		
<15%		
<1.0%(Sr)		
IP67		
-25 ° C - +70 ° C		
<10%(Sr)		
YES		
220mA		
<10ms		
RFI>3V/m / EFT>1KV / ESD>4KV (contact)		
IEC 60947-5-2,Part 7.4.1 / IEC 60947-5-2,Part 7.4.2		
ETFE		
WQP1-4015A-AZS3	62	
WQP1-4015A-BZS3	62	
Approx.250g		

AC/DC INDUCTIVE SENSORS WELD FIELD IMMUNE

M 30	
●	○
10 mm	15 mm
PTFE Coated Brass	
●	

M 30	
●	○
10 mm	15 mm
PTFE Coated Brass	
●	

M 30	
●	○
10 mm	15 mm
PTFE Coated Brass	
●	



20-250 VAC, 50-60 Hz; 20-250 VDC		
DC RIPPLE <10%		
<2.5mA		
200mA		
<2.5mA		
2.2A for 20ms		
5mA		
<=10 VAC : <=8 VDC		
25HZ AC; 40 Hz DC		
10ms/10ms		
<15% (Sr)		
<1.0% (Sr)		
IP67		
-25° C - +70° C		
<10% (Sr)		
YES		
-		
-		
RFI>3V/m / EFT>1KV / ESD>4KV (contact)		
IEC 60947-5-2, Part 7.4.1 / IEC 60947-5-2, Part 7.4.2		
ETFE		

20-250 VAC, 50-60 Hz; 20-250 VDC		
DC RIPPLE <10%		
<2.5mA		
200mA		
<2.5mA		
2.2A for 20ms		
5mA		
<=10 VAC : <=8 VDC		
25HZ AC; 40 Hz DC		
10ms/10ms		
<15% (Sr)		
<1.0% (Sr)		
IP67		
-25° C - +70° C		
<10% (Sr)		
YES		
-		
-		
RFI>3V/m / EFT>1KV / ESD>4KV (contact)		
IEC 60947-5-2, Part 7.4.1 / IEC 60947-5-2, Part 7.4.2		
ETFE		

20-250 VAC, 50-60 Hz; 20-250 VDC		
DC RIPPLE <10%		
<2.5mA		
200mA		
<2.5mA		
2.2A for 20ms		
5mA		
<=10 VAC : <=8 VDC		
25HZ AC; 40 Hz DC		
10ms/10ms		
<15% (Sr)		
<1.0% (Sr)		
IP67		
-25° C - +70° C		
<10% (Sr)		
YES		
-		
-		
RFI>3V/m / EFT>1KV / ESD>4KV (contact)		
IEC 60947-5-2, Part 7.4.1 / IEC 60947-5-2, Part 7.4.2		
ETFE		

WCM1-3010U-AUS3	52	WCM2-3015U-AUS3
WCM1-3010U-BUS3	52	WCM2-3015U-BUS3

WCM1-3010U-AU3	52	WCM2-3015U-AU3
WCM1-3010U-BU3	52	WCM2-3015U-BU3

WCM1-3010U-AZU3	61	WCM2-3015U-AZU3
WCM1-3010U-BZU3	61	WCM2-3015U-BZU3

Approx.111 g	Approx.121 g
--------------	--------------

Approx.187 g	Approx.179 g
--------------	--------------

Approx.187 g	Approx.179 g
--------------	--------------

