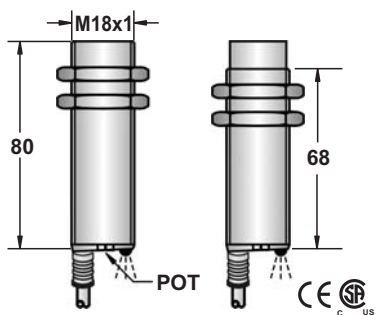
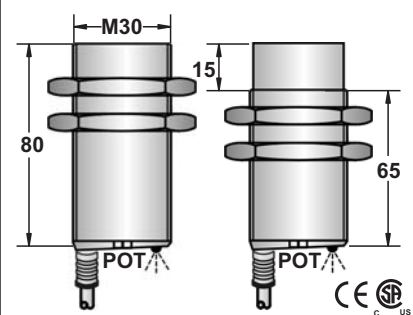


PART V-01 ~ V-07

Diameter	
● Shielded ○ non-Shielded	
Switching Distance S _n mm	
Housing Material	
● Have LED ○ Without LED	
Dimensions (unit: mm)	
Operating Voltage	20-250VAC,50-60Hz;20-250VDC
Ripple	DC RIPPLE <10%
No Load Current	<2.5mA
Max. Load Current	200mA
Leakage Current	<2.5mA
Surge Current	2.2A for 20ms
Min. Load Current	5mA
Voltage Drop	<=10VAC;<=8VDC
Switching Frequency	25HZ AC;40Hz DC
Response Time	10ms/10ms
Switching Hysteresis	<15% (Sr)
Repeat Accuracy	<1%(Sr)
Protection Category	IP67
Operating Temperature	-25°C~ +70°C
Temperature Drift	<15% (Sr)
Short Circuit Protection	-
Overload Trip Point	-
Time Delay Before Availability	-
EMC	RFI>3V/m / EFT>1KV / ESD>4KV (contact)
Shock / Vibration	IEC 60947-5-2,Part 7.4.1 / IEC 60947-5-2,Part 7.4.2
Material Active Face	PBT
DC 3 wire 10-30V NPN N.O.	
DC 3 wire 10-30V NPN N.C.	
DC 3 wire 10-30V PNP N.O.	
DC 3 wire 10-30V PNP N.C.	
DC 4 wire 10-30V Changeover PNP (N.O. & N.C.)	
DC 4 wire 10-30V Changeover NPN (N.O. & N.C.)	
DC 2 wire 10-60V N.O.	
DC 2 wire 10-60V N.C.	
DC 3 wire 10-55v NPN N.O. or NAMUR	
DC 3 wire 10-55v NPN N.C.	
DC 3 wire 10-55v PNP N.O.	
DC 3 wire 10-55v PNP N.C.	
AC 2 wire 20-250V N.O.	
AC 2 wire 20-250V N.C.	
AC 2 wire 20-250V N.O. or N.C. Changeable	
AC/DC 2 wire 20-250V N.O.	
AC/DC 2 wire 20-250V N.C.	
AC/DC 2 wire 20-250V N.O. or N.C. Changeable	
Remark	
Cable 2M (PVC)	
Weight	

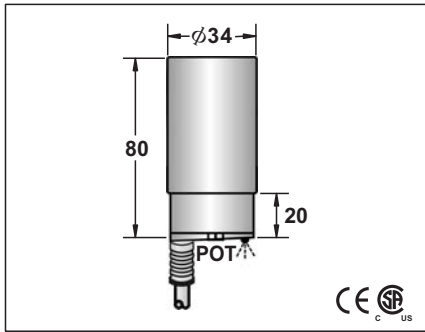
AC/DC CAPACITIVE PROXIMITY SWITCH

M18		M30	
●	○	●	○
2-8 mm adjustable	2-15 mm adjustable	2-15 mm adjustable	2-20 mm adjustable
stainless steel or nickel plated brass		stainless steel or nickel plated brass	
			
20-250VAC,50-60Hz;20-250VDC		20-250VAC,50-60Hz;20-250VDC	
DC RIPPLE <10%		DC RIPPLE <10%	
<2.5mA		<2.5mA	
200mA		200mA	
<2.5mA		<2.5mA	
2.2A for 20ms		2.2A for 20ms	
5mA		5mA	
<=10VAC;<=8VDC		<=10VAC;<=8VDC	
25HZ AC;40Hz DC		25HZ AC;40Hz DC	
10ms/10ms		10ms/10ms	
<15% (Sr)		<15% (Sr)	
<1%(Sr)		<1%(Sr)	
IP67		IP67	
-25°C~ +70°C		-25°C~ +70°C	
<15% (Sr)		<15% (Sr)	
-		-	
-		-	
-		-	
RFI>3V/m / EFT>1KV / ESD>4KV (contact)		RFI>3V/m / EFT>1KV / ESD>4KV (contact)	
IEC 60947-5-2,Part 7.4.1 / IEC 60947-5-2,Part 7.4.2		IEC 60947-5-2,Part 7.4.1 / IEC 60947-5-2,Part 7.4.2	
PBT		PBT	
CCM1-1808U-A3L2	11	CCM2-1815U-A3L2	
CCM1-1808U-B3L2	12	CCM2-1815U-B3L2	
5.0φ44x0.1		5.8φ3x0.5	
approx.115g	approx.110g	approx.231g	approx.219g

AC/DC CAPACITIVE PLASTIC HOUSING PROXIMITY SWITCH

AC/DC CAPACITIVE PLASTIC HOUSING
PROXIMITY SWITCH

$\phi 34$	
●	○
2-20 mm adjustable	2-25 mm adjustable
PBT RESIN	
●	



20-250VAC,50-60Hz;20-250VDC
DC RIPPLE <10%
<2.5mA
200mA
<2.5mA
2.2A for 20ms
5mA
<=10VAC;<=8VDC
25HZ AC;40Hz DC
10ms/10ms
<15% (Sr)
<1%(Sr)
IP67
-25°C- + 70°C
<15% (Sr)
-
-
-
RFI>3V/m / EFT>1KV / ESD>4KV (contact)
IEC 60947-5-2,Part 7.4.1 / IEC 60947-5-2,Part 7.4.2
PBT

CCP1-D3420U-A2L2	<u>9</u>	CCP2-D3425U-A2L2
CCP1-D3420U-B2L2	<u>10</u>	CCP2-D3425U-B2L2

5.8 ϕ 2x0.5	
approx.248g	approx.251g

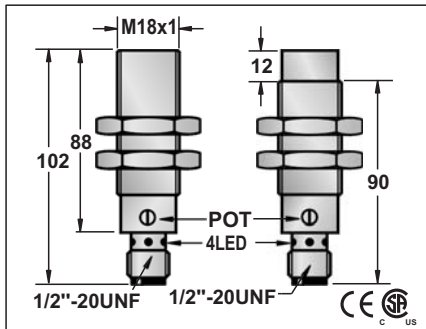
Note:
Coming Soon : Part numbers with underline

M18、M30

AC/DC CAPACITIVE PROXIMITY SWITCH CONNECTOR TYPE

AC/DC CAPACITIVE PROXIMITY SWITCH CONNECTOR TYPE

M18	
●	○
2-8 mm adjustable	2-15 mm adjustable
stainless steel or nickel plated brass	
●	

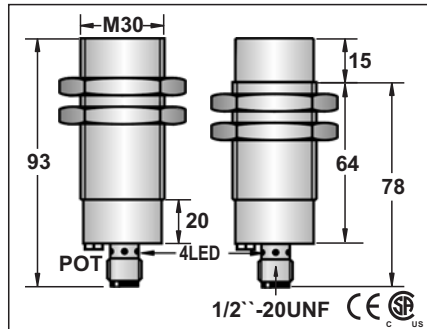


20-250VAC,50-60Hz;20-250VDC
DC RIPPLE <10%
<2.5mA
200mA
<2.5mA
2.2A for 20ms
5mA
<=10VAC;<=8VDC
25HZ AC;40Hz DC
10ms/10ms
<15% (Sr)
<1%(Sr)
IP67
-25°C- +70°C
<15% (Sr)
-
-
-
RFI>3V/m / EFT>1KV / ESD>4KV (contact)
IEC 60947-5-2,Part 7.4.1 / IEC 60947-5-2,Part 7.4.2
PBT

<u>CCM1-1808U-AUL3</u>	56	<u>CCM2-1815U-AUL3</u>
<u>CCM1-1808U-BUL3</u>	56	<u>CCM2-1815U-BUL3</u>

approx.69g

M30	
●	○
2-15 mm adjustable	2-20 mm adjustable
stainless steel or nickel plated brass	
●	

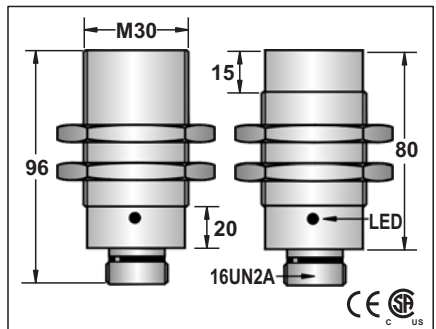


20-250VAC,50-60Hz;20-250VDC
DC RIPPLE <10%
<2.5mA
200mA
<2.5mA
2.2A for 20ms
5mA
<=10VAC;<=8VDC
25HZ AC;40Hz DC
10ms/10ms
<15% (Sr)
<1%(Sr)
IP67
-25°C- +70°C
<15% (Sr)
-
-
-
RFI>3V/m / EFT>1KV / ESD>4KV (contact)
IEC 60947-5-2,Part 7.4.1 / IEC 60947-5-2,Part 7.4.2
PBT

<u>CCM1-3015U-AUL3</u>	56	<u>CCM2-3020U-AUL3</u>
<u>CCM1-3015U-BUL3</u>	56	<u>CCM2-3020U-BUL3</u>

approx.147g	approx.137g
-------------	-------------

M30	
●	○
2-15 mm adjustable	2- 20 mm adjustable
stainless steel or nickel plated brass	
●	



20-250VAC,50-60Hz;20-250VDC
DC RIPPLE <10%
<2.5mA
200mA
<2.5mA
2.2A for 20ms
5mA
<=10VAC;<=8VDC
25HZ AC;40Hz DC
10ms/10ms
<15% (Sr)
<1%(Sr)
IP67
-25°C- +70°C
<15% (Sr)
-
-
-
RFI>3V/m / EFT>1KV / ESD>4KV (contact)
IEC 60947-5-2,Part 7.4.1 / IEC 60947-5-2,Part 7.4.2
PBT

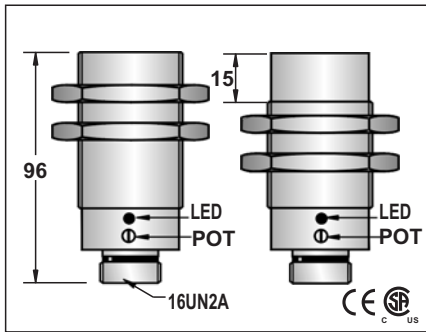
<u>CCM1-3015U-AZL3</u>	65	<u>CCM2-3020U-AZL3</u>
<u>CCM1-3015U-BZL3</u>	65	<u>CCM2-3020U-BZL3</u>

approx.147g	approx.137g
-------------	-------------

Note:
Coming Soon : Part numbers with underline

AC/DC CAPACITIVE PLASTIC HOUSING CONNECTOR TYPE

M 30	
●	○
2-15 mm adjustable	2-20 mm adjustable
PBT RESIN	
●	

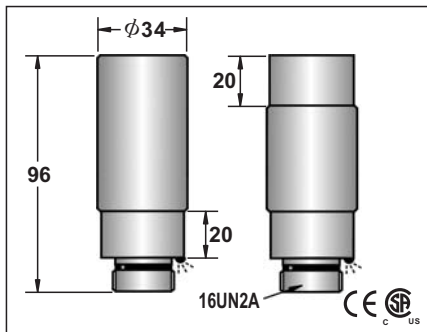


20-250VAC,50-60Hz;20-250VDC
DC RIPPLE <10%
<2.5mA
200mA
<2.5mA
2.2A for 20ms
5mA
<=10VAC;<=8VDC
25HZ AC;40Hz DC
10ms/10ms
<15% (Sr)
<1%(Sr)
IP67
-25°C- +70°C
<15% (Sr)
-
-
RFI>3V/m / EFT>1KV / ESD>4KV (contact)
IEC 60947-5-2,Part 7.4.1 / IEC 60947-5-2,Part 7.4.2
PBT

CCP1-3015U-AZL2	66	<u>CCP2-3020U-AZL2</u>	
CCP1-3015U-BZL2	66	CCP2-3020U-BZL2	

approx.120g

φ34	
●	○
2-20 mm adjustable	2-25 mm adjustable
PBT RESIN	
●	

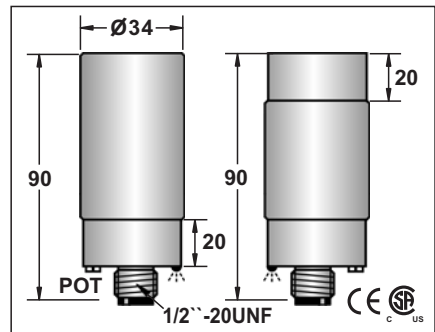


20-250VAC,50-60Hz;20-250VDC
DC RIPPLE <10%
<2.5mA
200mA
<2.5mA
2.2A for 20ms
5mA
<=10VAC;<=8VDC
25HZ AC;40Hz DC
10ms/10ms
<15% (Sr)
<1%(Sr)
IP67
-25°C- +70°C
<15% (Sr)
-
-
RFI>3V/m / EFT>1KV / ESD>4KV (contact)
IEC 60947-5-2,Part 7.4.1 / IEC 60947-5-2,Part 7.4.2
PBT

CCP1-D3420U-AZL2	66	<u>CCP2-D3425U-AZL2</u>	
CCP1-D3420U-BZL2	66	CCP2-D3425U-BZL2	

approx.162g

φ34	
●	○
2-20 mm adjustable	2-25 mm adjustable
PBT RESIN	
●	



20-250VAC,50-60Hz;20-250VDC
DC RIPPLE <10%
<2.5mA
200mA
<2.5mA
2.2A for 20ms
5mA
<=10VAC;<=8VDC
25HZ AC;40Hz DC
10ms/10ms
<15% (Sr)
<1%(Sr)
IP67
-25°C- +70°C
<15% (Sr)
-
-
RFI>3V/m / EFT>1KV / ESD>4KV (contact)
IEC 60947-5-2,Part 7.4.1 / IEC 60947-5-2,Part 7.4.2
PBT

CCP1-D3420U-AUL3	58	<u>CCP2-D3425U-AUL3</u>	
CCP1-D3420U-BUL3	58	CCP2-D3425U-BUL3	

approx.162g

Note:
Coming Soon : Part numbers with underline