

PART U-01 ~ U-07

Diameter
● Shielded ○ non-Shielded
Switching Distance Sn mm
Housing Material
● With LED ○ Without LED

Dimensions (unit: mm)

Operating Voltage	20-250VAC
Ripple	-
No Load Current	<2.5mA
Max. Load Current	300mA
Leakge Current	<2.5mA
Surge Current	5A
Min. Load Current	5mA
Voltage Drop	<9VAC AT 300MA
Switching Frequency	25HZ
Response Time	10ms/10ms
Switching Hysteresis	<15%(Sr)
Repeat Accuracy	<5%(Sr)
Protection Category	IP67
Operating Temperature	-25°C~+70°C
Temperature Drift	<10%(Sr)
Short Circuit Protection	-
Overload Trip Point	-
Time Delay Before Availability	-
EMC	RFI>3V/m / EFT>1KV / ESD>4KV (contact)
Shock / Vibration	IEC 60947-5-2,Part 7.4.1 / IEC 60947-5-2,Part 7.4.2
Material Active Face	PBT
DC 3 wire 10-30V NPN N.O.	
DC 3 wire 10-30V NPN N.C.	
DC 3 wire 10-30V PNP N.O.	
DC 3 wire 10-30V PNP N.C.	
DC 4 wire 10-30V Changeover PNP (N.O. & N.C.)	
DC 4 wire 10-30V Changeover NPN (N.O. & N.C.)	
DC 2 wire 10-60V N.O.	
DC 2 wire 10-60V N.C.	
DC 3 wire 10-55v NPN N.O. or NAMUR	
DC 3 wire 10-55v NPN N.C.	
DC 3 wire 10-55v PNP N.O.	
DC 3 wire 10-55v PNP N.C.	
AC 2 wire 20-250V N.O.	CCM1-1808A-A3L2 11 CCM2-1815A-A3L2
AC 2 wire 20-250V N.C.	CCM1-1808A-B3L2 12 CCM2-1815A-B3L2
AC 2 wire 20-250V N.O. or N.C. Changeable	
AC/DC 2 wire 20-250V N.O.	
AC/DC 2 wire 20-250V N.C.	
AC/DC 2 wire 20-250V N.O. or N.C. Changeable	

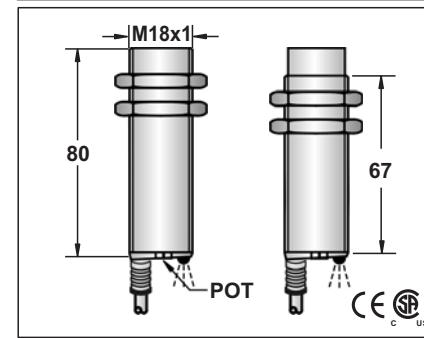
Remark

Cable 2M (PVC)

Weight

AC CAPACITIVE PROXIMITY SWITCH

M18	
●	○
2-8 mm adjustable	2-15 mm adjustable
stainless steel or nickel plated brass	
●	



Operating Voltage	20-250VAC
Ripple	-
No Load Current	<2.5mA
Max. Load Current	300mA
Leakge Current	<2.5mA
Surge Current	5A
Min. Load Current	5mA
Voltage Drop	<9VAC AT 300MA
Switching Frequency	25HZ
Response Time	10ms/10ms
Switching Hysteresis	<15%(Sr)
Repeat Accuracy	<5%(Sr)
Protection Category	IP67
Operating Temperature	-25°C~+70°C
Temperature Drift	<10%(Sr)
Short Circuit Protection	-
Overload Trip Point	-
Time Delay Before Availability	-
EMC	RFI>3V/m / EFT>1KV / ESD>4KV (contact)
Shock / Vibration	IEC 60947-5-2,Part 7.4.1 / IEC 60947-5-2,Part 7.4.2
Material Active Face	PBT

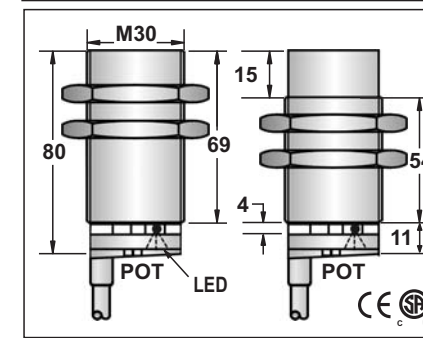
DC 3 wire 10-30V NPN N.O.	
DC 3 wire 10-30V NPN N.C.	
DC 3 wire 10-30V PNP N.O.	
DC 3 wire 10-30V PNP N.C.	
DC 4 wire 10-30V Changeover PNP (N.O. & N.C.)	
DC 4 wire 10-30V Changeover NPN (N.O. & N.C.)	
DC 2 wire 10-60V N.O.	
DC 2 wire 10-60V N.C.	
DC 3 wire 10-55v NPN N.O. or NAMUR	
DC 3 wire 10-55v NPN N.C.	
DC 3 wire 10-55v PNP N.O.	
DC 3 wire 10-55v PNP N.C.	
AC 2 wire 20-250V N.O.	CCM1-1808A-A3L2 11 CCM2-1815A-A3L2
AC 2 wire 20-250V N.C.	CCM1-1808A-B3L2 12 CCM2-1815A-B3L2
AC 2 wire 20-250V N.O. or N.C. Changeable	
AC/DC 2 wire 20-250V N.O.	
AC/DC 2 wire 20-250V N.C.	
AC/DC 2 wire 20-250V N.O. or N.C. Changeable	

Remark

5.0 φ 44x0.1

approx.115g approx.110g

M30	
●	○
2-20 mm adjustable	2-30 mm adjustable
stainless steel or nickel plated brass	
●	



Operating Voltage	20-250VAC
Ripple	-
No Load Current	<2.5mA
Max. Load Current	300mA
Leakge Current	<2.5mA
Surge Current	5A
Min. Load Current	5mA
Voltage Drop	<9VAC AT 300MA
Switching Frequency	25HZ
Response Time	10ms/10ms
Switching Hysteresis	<15%(Sr)
Repeat Accuracy	<5%(Sr)
Protection Category	IP67
Operating Temperature	-25°C~+70°C
Temperature Drift	<10%(Sr)
Short Circuit Protection	-
Overload Trip Point	-
Time Delay Before Availability	-
EMC	RFI>3V/m / EFT>1KV / ESD>4KV (contact)
Shock / Vibration	IEC 60947-5-2,Part 7.4.1 / IEC 60947-5-2,Part 7.4.2
Material Active Face	PBT

DC 3 wire 10-30V NPN N.O.	
DC 3 wire 10-30V NPN N.C.	
DC 3 wire 10-30V PNP N.O.	
DC 3 wire 10-30V PNP N.C.	
DC 4 wire 10-30V Changeover PNP (N.O. & N.C.)	
DC 4 wire 10-30V Changeover NPN (N.O. & N.C.)	
DC 2 wire 10-60V N.O.	
DC 2 wire 10-60V N.C.	
DC 3 wire 10-55v NPN N.O. or NAMUR	
DC 3 wire 10-55v NPN N.C.	
DC 3 wire 10-55v PNP N.O.	
DC 3 wire 10-55v PNP N.C.	
AC 2 wire 20-250V N.O.	CCM1-3020A-A3L2 11 CCM2-3030A-A3L2
AC 2 wire 20-250V N.C.	CCM1-3020A-B3L2 12 CCM2-3030A-B3L2
AC 2 wire 20-250V N.O. or N.C. Changeable	
AC/DC 2 wire 20-250V N.O.	
AC/DC 2 wire 20-250V N.C.	
AC/DC 2 wire 20-250V N.O. or N.C. Changeable	

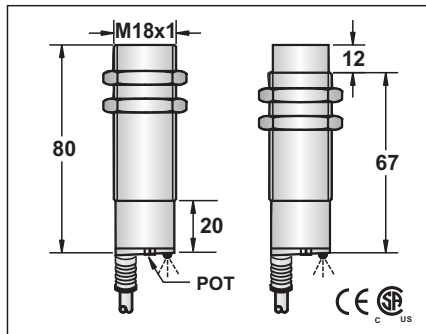
Remark

5.8 φ 3x0.5

approx.231g approx.219g

AC CAPACITIVE PLASTIC HOUSING PROXIMITY SWITCH

M18	
●	○
2-8 mm adjustable	2-15 mm adjustable
PBT RESIN	

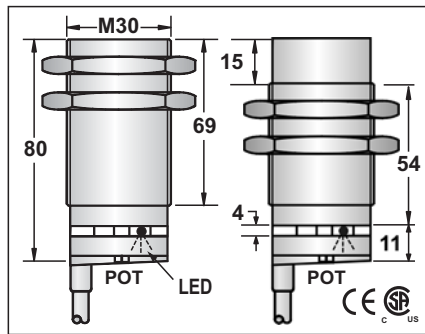


20-250VAC
-
<2.5mA
300mA
<2.5mA
5A
5mA
<9VAC AT 300MA
25HZ
10ms/10ms
<15%(Sr)
<5%(Sr)
IP67
-25°C- +70°C
<10%(Sr)
-
-
-
RFI>3V/m / EFT>1KV / ESD>4KV (contact)
IEC 60947-5-2,Part 7.4.1 / IEC 60947-5-2,Part 7.4.2
PBT

CCP1-1808A-A2L2	9	CCP2-1815A-A2L2
CCP1-1808A-B2L2	10	CCP2-1815A-B2L2

5.0φ44x0.1	
approx.92g	approx.94g

M30	
●	○
2-20 mm adjustable	2-30 mm adjustable
PBT RESIN	

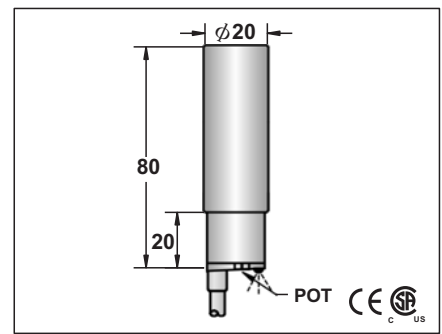


20-250VAC
-
<2.5mA
300mA
<2.5mA
5A
5mA
<9VAC AT 300MA
25HZ
10ms/10ms
<15%(Sr)
<5%(Sr)
IP67
-25°C- +70°C
<10%(Sr)
-
-
-
RFI>3V/m / EFT>1KV / ESD>4KV (contact)
IEC 60947-5-2,Part 7.4.1 / IEC 60947-5-2,Part 7.4.2
PBT

CCP1-3020A-A2L2	9	CCP2-3030A-A2L2
CCP1-3020A-B2L2	10	CCP2-3030A-B2L2

5.8φ2x0.5	
approx.197g	approx.195g

φ20	
●	○
2-12 mm adjustable	2-20 mm adjustable
PBT RESIN	



20-250VAC
-
<2.5mA
300mA
<2.5mA
5A
5mA
<9VAC AT 300MA
25HZ
10ms/10ms
<15%(Sr)
<5%(Sr)
IP67
-25°C- +70°C
<10%(Sr)
-
-
-
RFI>3V/m / EFT>1KV / ESD>4KV (contact)
IEC 60947-5-2,Part 7.4.1 / IEC 60947-5-2,Part 7.4.2
PBT

CCP1-D2012A-A2L2	9	CCP2-D2020A-A2L2
CCP1-D2012A-B2L2	10	CCP2-D2020A-B2L2

5.8φ2x0.5	
approx.153g	approx.154g

