

PART O-01 ~ O-14

Slot Wide

● Shielded ○ non-Shielded

Switching Distance Sn mm

Housing Material

● With LED ○ Without LED

Dimensions (unit: mm)

Operating Voltage

Ripple

No Load Current

Max. Load Current

Leakge Current

Surge Current

Min. Load Current

Voltage Drop

Switching Frequency

Switch Point With Fe Test Plate

Switching Hysteresis

Repeat Accuracy

Protection Category

Operating Temperature

Temperature Drift

Test Plate(Min. dimentions Fe and non Fe)

Reverse Polarity Protection

Short Circuit Protection

Overload Trip Point

EMC

Shock / Vibration

DC 3 wire 10-30V NPN N.O.

DC 3 wire 10-30V NPN N.C.

DC 3 wire 10-30V PNP N.O.

DC 3 wire 10-30V PNP N.C.

DC 4 wire 10-30V Changeover PNP (N.O. & N.C.)

DC 4 wire 10-30V Changeover NPN (N.O. & N.C.)

DC 2 wire 10-60V N.O.

DC 2 wire 10-60V N.C.

DC 3 wire 10-55v NPN N.O.

DC 3 wire 10-55v NPN N.C.

DC 3 wire 10-55v PNP N.O.

DC 3 wire 10-55v PNP N.C.

AC 2 wire 20-250V N.O.

AC 2 wire 20-250V N.C.

AC/DC 2 wire 20-250V N.O.

AC/DC 2 wire 20-250V N.C.

NAMUR

Remark

Cable 2M (PVC)

Weight

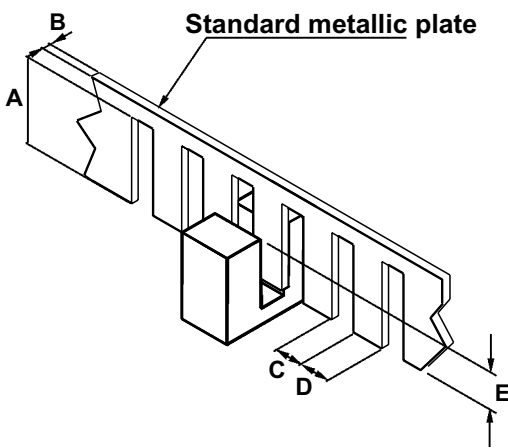
Please put each catalog page in the blank. The specification on the left will help your reading.

SLOT TYPE INDUCTIVE PROXIMITY SWITCH

■ Principle of operation

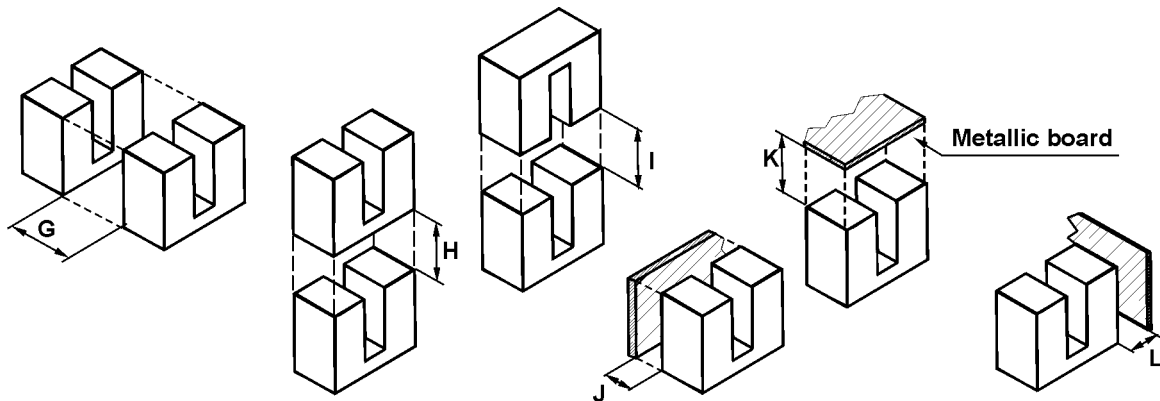
Since the electromagnetic field of this type sensors is concentrated between two axially positioned coil, the sensor will operate when a metallic target approach with its center maintained on the axis. The perpendicular switching axis ensure high repeatability precision in insertion type sensing applications, even when slight deviations along the approach axis occur.

■ Applications



Model \ Size	A	B	C	D	E
UUP2-U3.510 ...	11mm	0.2mm	2.0mm	4.0mm	9.0mm
UUP2-U0509 ...	11mm	0.2mm	3.0mm	5.0mm	9.0mm
UUP2-U0519 ... HUP2-U0519 ...	17mm	0.2mm	6.0mm	9.0mm	15.0mm
UUP2-U1032 ... HUP2-U1032 ...	28mm	0.5mm	8.0mm	15.0mm	25.0mm
UUP2-U1542 ... HUP2-U1542 ...	33mm	0.5mm	12.0mm	18.0mm	30.0mm
UUP2-U3080 ... HUP2-U3080 ...	50mm	0.5mm	18.0mm	27.0mm	47.0mm

■ Mounting considerations



Model \ Size	G	H	I	J	K	E
UUP2-U3.510 ...	>15mm	>5mm	>15mm	>0mm	>0mm	>0mm
UUP2-U0509 ...	>10mm	>0mm	>5mm	>0mm	>0mm	>0mm
UUP2-U0519 ... HUP2-U0519 ...	>20mm	>0mm	>5mm	>0mm	>0mm	>0mm
UUP2-U1032 ... HUP2-U1032 ...	>25mm	>5mm	>25mm	>5mm	>5mm	>5mm
UUP2-U1542 ... HUP2-U1542 ...	>30mm	>10mm	>30mm	>5mm	>5mm	>5mm
UUP2-U3080 ... HUP2-U3080 ...	>30mm	>0mm	>30mm	>10mm	>10mm	>10mm

DC SLOT TYPE INDUCTIVE PROXIMITY SENSORS WITH CONNECTOR

5.0mm	
○	
-	
PBT	
●	
10~60VDC ≤10% <1.8mA ≤100mA ≤1.8mA - - ≤6V at 100mA 2KHZ Approx. 60% Insert depth - <0.01mm IP67 -25°C to 70°C - 15mmx12mmx0.3mm Yes Yes 120~150mA RFI>3V/m / EFT>1KV / ESD>4KV (contact) IEC 60947-5-2,Part 7.4.1 / IEC 60947-5-2,Part 7.4.2	
UUP2-U0519C-ACU3	35
UUP2-U0519C-BCU3	73
approx.59g	

5.0mm	
○	
-	
PBT	
●	
10~30VDC ≤10% <10mA ≤200mA <0.01mA - - <1.5V 2KHZ Approx. 60% Insert depth - <0.01mm IP67 -25°C to 70°C - 15mmx12mmx0.3mm Yes Yes 220~280mA RFI>3V/m / EFT>1KV / ESD>4KV (contact) IEC 60947-5-2,Part 7.4.1 / IEC 60947-5-2,Part 7.4.2	
UUP2-U0519N-ACU3	25
UUP2-U0519N-BCU3	25
UUP2-U0519P-ACU3	26
UUP2-U0519P-BCU3	26
approx.59g	

10mm	
○	
-	
PBT	
●	
10~60VDC ≤10% <1.8mA ≤100mA ≤1.8mA - - ≤6V at 100mA 1KHZ Approx. 60% Insert depth - <0.02mm IP67 -25°C to 70°C - 22mmx22mmx0.5mm Yes Yes 120~150mA RFI>3V/m / EFT>1KV / ESD>4KV (contact) IEC 60947-5-2,Part 7.4.1 / IEC 60947-5-2,Part 7.4.2	
UUP2-U1032C-ARU4	34
UUP2-U1032C-BRU4	74
approx.59g	

