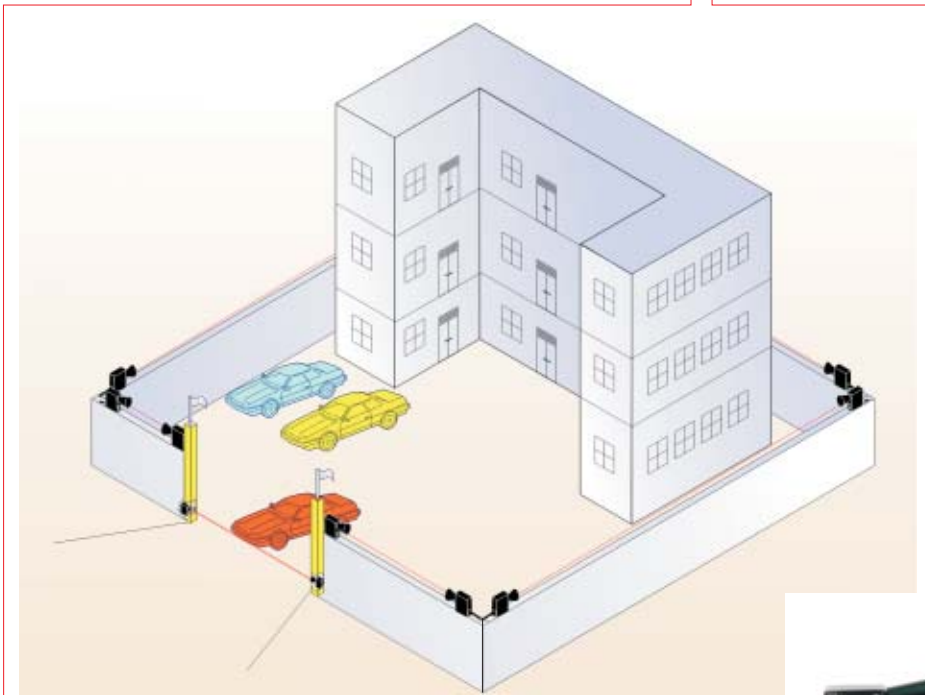
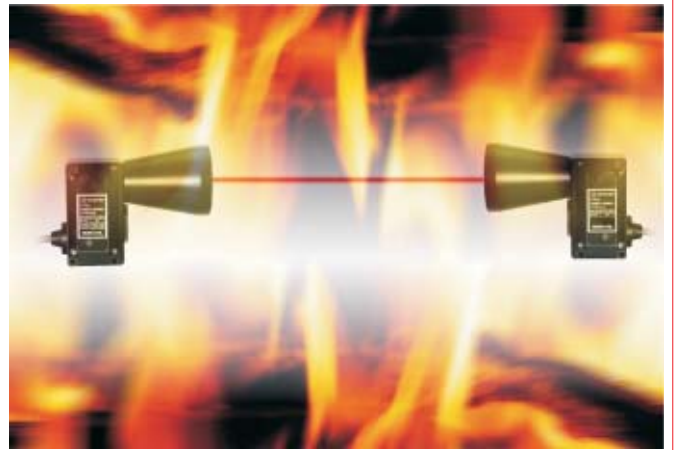





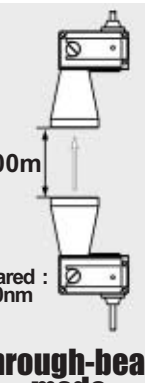


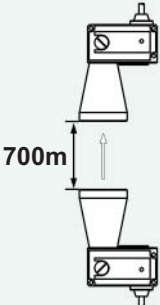

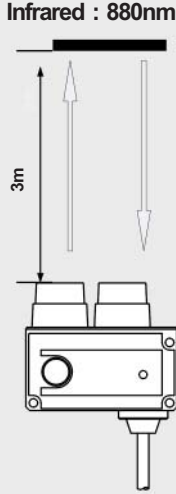

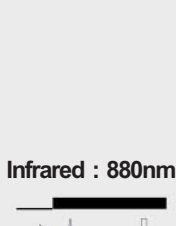

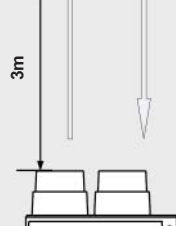

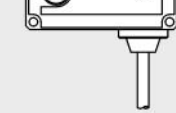




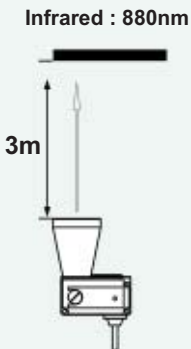








RP80 SERIES

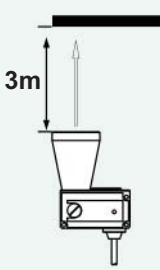


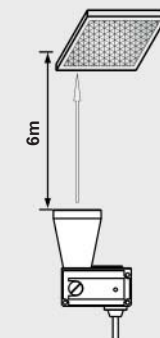




- Sensors TypeE-01...E-04
- Specifications.....E-05
- Sensors Dimensions.....E-06...E-08
- I/O Circuit And Wiring Diagrams.....E-08
- Sensing Characteristics(Typical).....E-09



Sensing mode	Connection	Supply Voltage	Output mode	Part Number
 <p>Infrared : 880nm</p> <p>350m</p> <p>Through-beam mode Sensing distance: 350m Light source : infrared led</p>	Cable 	10-30V DC	Emitter	RP80-T350MD-EY9C2L2
			NPN	RP80-T350MN-CY9C4U2
			PNP	RP80-T350MP-CY9C4U2
	Quick Disconnect (Euro) 	10-30V DC	Emitter	RP80-T350MD-EY9Q4LE
			NPN	RP80-T350MN-CY9Q4UE
			PNP	RP80-T350MP-CY9Q4UE
	Quick Disconnect (Mini) 	10-30V DC	Emitter	RP80-T350MD-EY9Q4LN
			NPN	RP80-T350MN-CY9Q4UN
			PNP	RP80-T350MP-CY9Q4UN
<p>6 " Pig tail (Euro) </p>	10-30V DC	Emitter	RP80-T350MD-EY9P4LE	
		NPN	RP80-T350MN-CY9P4UE	
		PNP	RP80-T350MP-CY9P4UE	
 <p>Infrared : 880nm</p> <p>700m</p> <p>Through-beam mode Sensing distance: 700m Light source : infrared led</p>	Cable 	10-30V DC	Emitter	RP80-T700MD-EY9C2L2
			NPN	RP80-T700MN-CY9C4U2
			PNP	RP80-T700MP-CY9C4U2
	Quick Disconnect (Euro) 	10-30V DC	Emitter	RP80-T700MD-EY9Q4LE
			NPN	RP80-T700MN-CY9Q4UE
			PNP	RP80-T700MP-CY9Q4UE

Sensing mode	Connection	Supply Voltage	Output mode	Part Number		
 <p>Infrared : 880nm Through-beam mode Sensing distance: 700m Light source : infrared led</p>	Quick Disconnect (Mini)	10-30V DC	Emitter	RP80-T700MD-EY9Q4LN		
			10-30V DC	NPN	RP80-T700MN-CY9Q4UN	
				PNP	RP80-T700MP-CY9Q4UN	
	 <p>Infrared : 880nm</p> <p>Diffuse mode Sensing distance: 3m Standard Type</p>	6 " Pig tail (Euro)	10-30V DC	Emitter	RP80-T700MD-EY9P4LE	
				10-30V DC	NPN	RP80-T700MN-CY9P4UE
					PNP	RP80-T700MP-CY9P4UE
		Cable	10-30V DC	—	—	
				10-30V DC	NPN	RP80-D3000N-CY9C4U2/S
			PNP		RP80-D3000P-CY9C4U2/S	
		Quick Disconnect (Euro)	10-30V DC	—	—	
				10-30V DC	NPN	RP80-D3000N-CY9Q4UE/S
					PNP	RP80-D3000P-CY9Q4UE/S
		Quick Disconnect (Mini)	10-30V DC	—	—	
				10-30V DC	NPN	RP80-D3000N-CY9Q4UN/S
			PNP		RP80-D3000P-CY9Q4UN/S	
		6 " Pig tail (Euro)	10-30V DC	—	—	
10-30V DC		NPN		RP80-D3000N-CY9P4UE/S		
	PNP	RP80-D3000P-CY9P4UE/S				

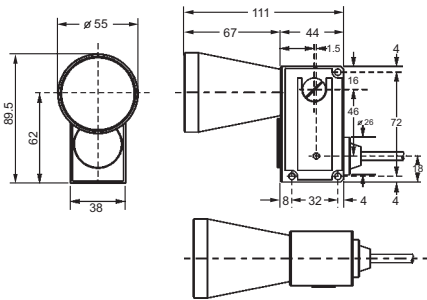
Sensing mode	Connection	Supply Voltage	Output mode	Part Number
 <p>Diffuse mode Bell-mouthed Angle Sensing distance: 3m Light source : infrared led</p>	Cable 	10-30V DC	—	—
			NPN	RP80-D3000N-CY9C4U2/B
	Quick Disconnect (Euro) 	10-30V DC	—	—
			NPN	RP80-D3000N-CY9Q4UE/B
	Quick Disconnect (Mini) 	10-30V DC	—	—
			NPN	RP80-D3000N-CY9Q4UN/B
6 " Pig tail (Euro) 	10-30V DC	—	—	
		NPN	RP80-D3000N-CY9P4UE/B	
 <p>Diffuse mode Fan-shaped Angle Sensing distance: 3m Light source : infrared led</p>	Cable 	10-30V DC	—	—
			NPN	RP80-D3000N-CY9C4U2/F
	Quick Disconnect (Euro) 	10-30V DC	—	—
			NPN	RP80-D3000N-CY9Q4UE/F
	Quick Disconnect (Euro) 	10-30V DC	—	—
			PNP	RP80-D3000P-CY9Q4UE/F

Sensing mode	Connection	Supply Voltage	Output mode	Part Number
 <p>Infrared : 880nm Diffuse mode Fan-shaped Angle Sensing distance: 3m Light source : infrared led</p>	Quick Disconnect (Mini) 	10-30V DC	—	—
			NPN	RP80-D3000N-CY9Q4UN/F
		PNP	RP80-D3000P-CY9Q4UN/F	
	6 " Pig tail (Euro) 	10-30V DC	—	—
			NPN	RP80-D3000N-CY9P4UE/F
		PNP	RP80-D3000P-CY9P4UE/F	
<p>Infrared : 880nm</p>  <p>Retro-reflective mode Sensing distance: 0.8-6m Light source : infrared led</p>	Cable 	10-30V DC	—	—
			NPN	RP80-L6000N-CY9C4U2
		PNP	RP80-L6000P-CY9C4U2	
	Quick Disconnect (Euro) 	10-30V DC	—	—
			NPN	RP80-L6000N-CY9Q4UE
		PNP	RP80-L6000P-CY9Q4UE	
	Quick Disconnect (Mini) 	10-30V DC	—	—
			NPN	RP80-L6000N-CY9Q4UN
		PNP	RP80-L6000P-CY9Q4UN	
	6 " Pig tail (Euro) 	10-30V DC	—	—
			NPN	RP80-L6000N-CY9P4UE
		PNP	RP80-L6000P-CY9P4UE	

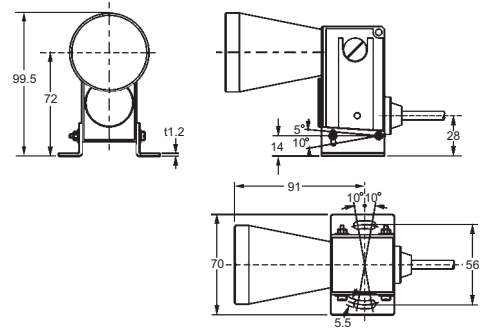
Sensing Mode	Diffuse Mode	Retro-reflective Mode	Through-beam Mode	
Sensing range	3m	6m	700m , 350m	
Power Source	10 to 30 V DC , Ripple P-P: 10% or less			
Current Consumption	70 mA or less (Emitter and Receiver)			
Response Time	5 ms or less			
Modulation Method	Pulse Modulation System			
Sensing output	NPN open-collector transistor <ul style="list-style-type: none"> • Maximum sink Current : 200mA • Applied voltage : 30V DC or less (between sensing output and 0V) • Residual voltage : 1.5V or less (at 100mA sink current) 	PNP open-collector transistor <ul style="list-style-type: none"> • Maximum sink Current : 200mA • Applied voltage : 30V DC or less (between sensing output and +V) • Residual voltage : 1.5V or less (at 100mA sink current) 		
Output Operation Mode	Black Lead Wire : Light-ON White Lead Wire : Dark-ON			
Operation Indicator	A red LED glows when light received			
Light Emitting Element	Infrared LED x3			
Light Receiving Element	Silicon Photo Diode			
Extraneous Light Immunity	Sunlight : 11000 lx (illuminance on light receiving plane) Incandescent Lamp : 3500 lx (illuminance on light receiving plane)			
Sensing Object	∅ 50mm or more opaque, translucent or specular object			
EMC	IEC 60947-5-2, Parts 7.2.6.1. 2.3 or RFI>3V/m(in 301000MHZ), EFT>1KV, ESD>4KV(contact)			
Vibration With Stand	IEC 60947-5-2, Part 8.3.3.4 or 1500VAC for one min, between all supply terminals connected together and enclosure			
Mechanical Shock Withstand	IEC 60947-5-2, Part 7.4.1 or 30g, 11ms in x , y and z directions for six time each			
Ambient Temperature	Operation : -10 to +60°C			
Ambient Humidity	35 to 85% RH			
Enclosure Protection	IP 66 (IEC-144) , Water-proof type			
Enclosure Material	Zinc Alloy Die-Casting , Lens Holder : Aluminum , Lens : Glass , coated in brown colour			
Cable	Type : 0.3 mm ² , 4 core cabtyre cable (2 cores for emitter) Standard length : 2 m Extension : Extensible up to 100 m by using 0.3 mm ² or bigger cable			
	Colour of Lead wires		Receiver	Emitter
		Brown	+ V	+V
		Black	Output (Light-ON)	_____
		White	Output (Dark-ON)	_____
Blue	0V	0V		
Weight	Approx , 1260 g (A set of emitter and receiver)			
Accessories	1 pc , of Adjustment Screwdriver , instruction Manual			

Cable

1. Dimensions(mm)

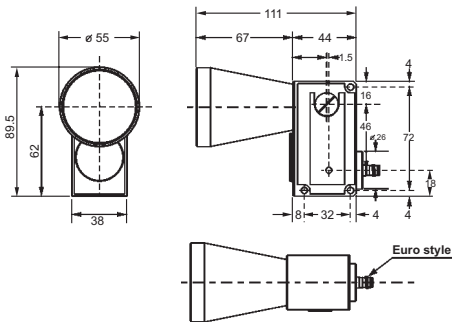


2. Mount(mm)

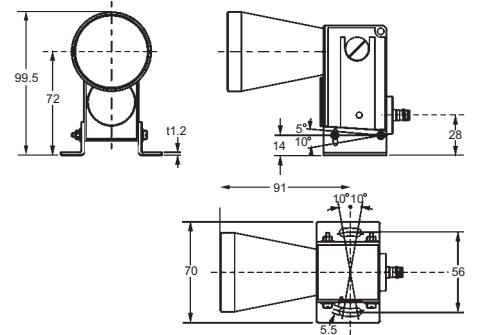


Quick Disconnect (Euro Style)

1. Dimensions(mm)

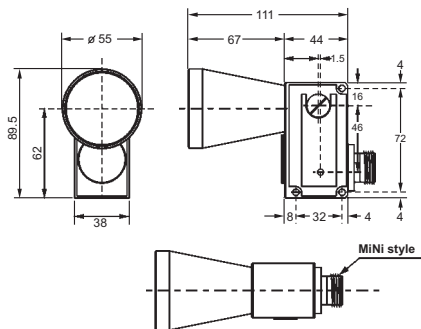


2. Mount(mm)

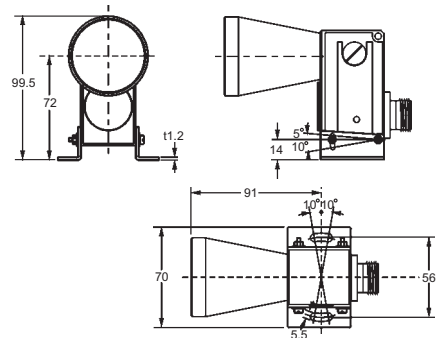


Quick Disconnect (MINI Style)

1. Dimensions(mm)



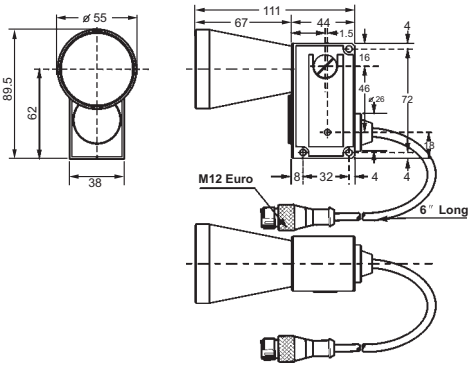
2. Mount(mm)



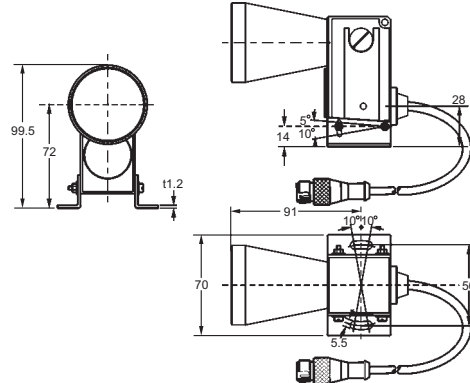
Pig tail



1. Dimensions(mm)



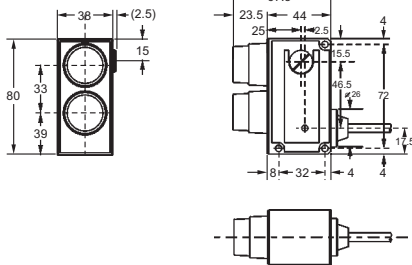
2. Mount(mm)



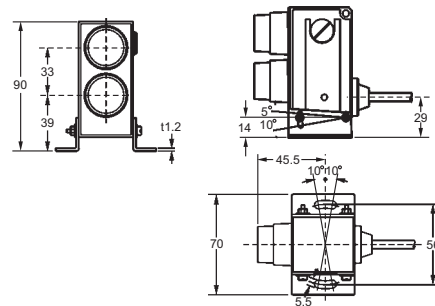
Cable



1. Dimensions(mm)



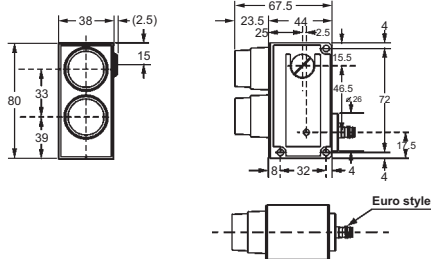
2. Mount(mm)



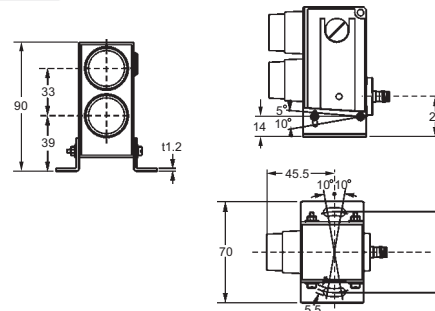
Quick Disconnect (Euro Style)



1. Dimensions(mm)

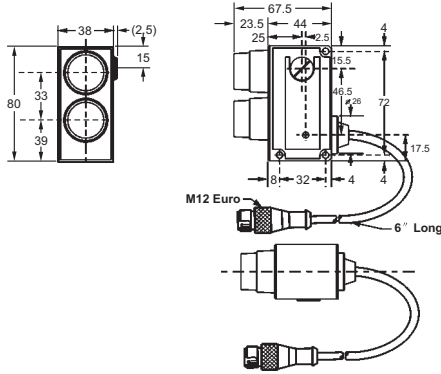


2. Mount(mm)

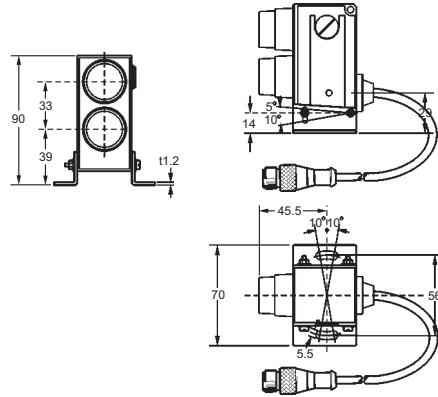


Pig tail

1. Dimensions(mm)

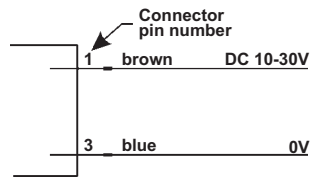


2. Mount(mm)



I/O CIRCUIT AND WIRING DIAGRAM

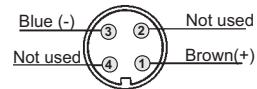
Emitter



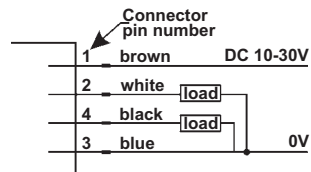
M12 connector (EURO style)



Mini Quick-Disconnct



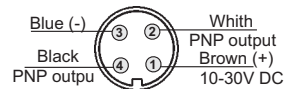
PNP



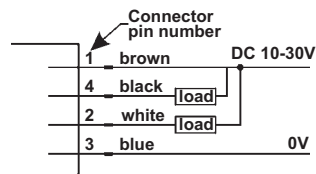
M12 connector (EURO style)



Mini Quick-Disconnct



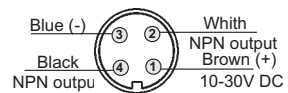
NPN



M12 connector (EURO style)



Mini Quick-Disconnct

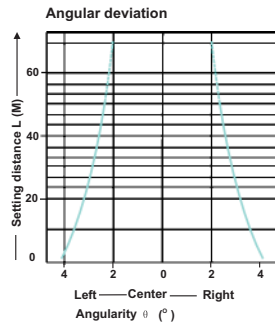
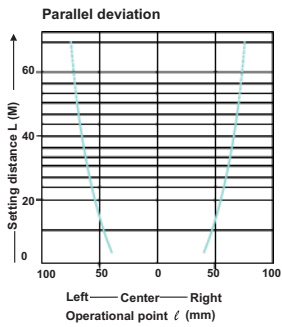


PHOTOELECTRIC

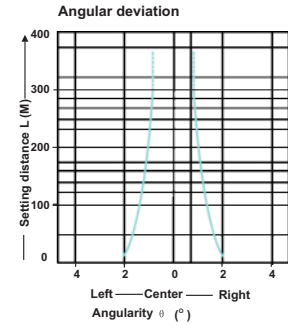
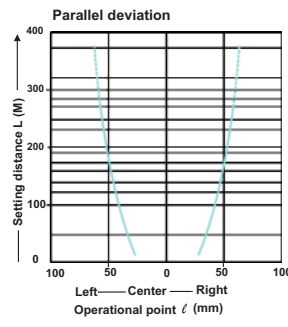
SENSING CHARACTERISTICS(typical)

RP80 SERIES

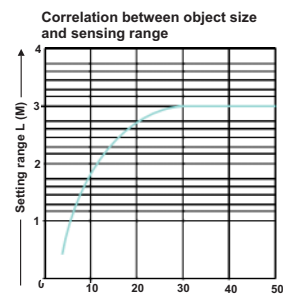
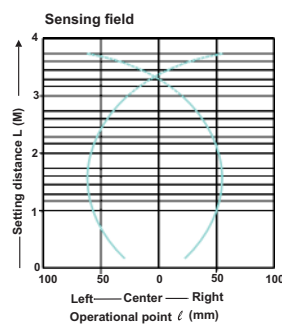
RP80-T50M *



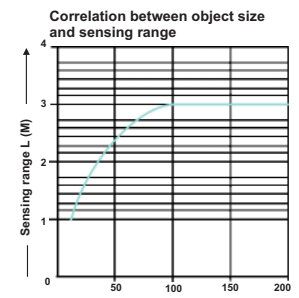
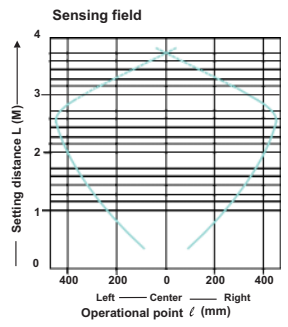
RP80-T350M *



RP80-D3000 * / 1



RP80-D3000 * / 3



RP80-D3000 * / 2

