

PART H-01 ~ H-04

Diameter

● Shielded ○ non-Shielded

Switching Distance Sn mm

Housing Material

● With LED ○ Without LED

Dimensions (unit: mm)

Operating Voltage

Ripple

No Load Current

Max. Load Current

Leakge Current

Surge Current

Min. Load Current

Voltage Drop

Switching Frequency

Response Time

Switching Hysteresis

Repeat Accuracy

Protection Category

Operating Temperature

Temperature Drift

Short Circuit Protection

Overload Trip Point

Time Delay Before Availability

EMC

Shock / Vibration

Material Active Face

DC 3 wire 10-30V NPN N.O.

DC 3 wire 10-30V NPN N.C.

DC 3 wire 10-30V PNP N.O.

DC 3 wire 10-30V PNP N.C.

DC 4 wire 10-30V Changeover PNP (N.O. & N.C.)

DC 4 wire 10-30V Changeover NPN (N.O. & N.C.)

DC 2 wire 10-60V N.O.

DC 2 wire 10-60V N.C.

DC 3 wire 10-55v NPN N.O. or NAMUR

DC 3 wire 10-55v NPN N.C.

DC 3 wire 10-55v PNP N.O.

DC 3 wire 10-55v PNP N.C.

DC 3 wire 5-36v NPN N.O.

DC 3 wire 5-36v NPN N.C.

DC 3 wire 5-36v PNP N.O.

DC 3 wire 5-36v PNP N.C.

AC/DC 4 wire 5-36v Changeover PNP (N.O. & N.C.)

AC/DC 4 wire 5-36v Changeover NPN (N.O. & N.C.)

Remark

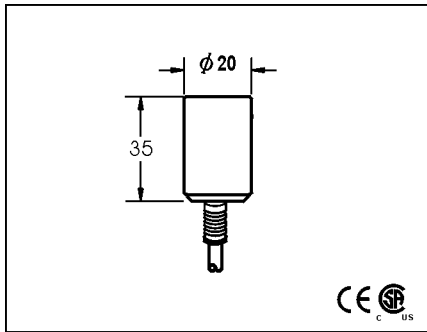
Cable 2M (PVC)

Weight

Please put each catalog page in the blank. The specification on the left will help your reading.

NAMUR INDUCTIVE PLASTIC HOUSING PROXIMITY SWITCH

φ20
○
10 mm
PBT RESIN
○

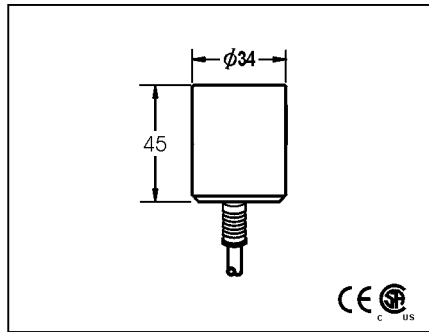


6-12VDC	
>2.2mA(OFF)	<1.1mA(ON)
100HZ	
1ms/1ms	
<15%(Sr)	
IP67	
-25°C - +70°C	
<2%(Sr)	
<10ms	
RFI>3V/m / EFT>1KV / ESD>4KV (contact)	
IEC 60947-5-2,Part 7.4.1 / IEC 60947-5-2,Part 7.4.2	
PBT	

FCP1-D2010NU	21
--------------	----

4.8φ44x0.1	
Approx.90 g	

φ34
○
20 mm
PBT RESIN
○

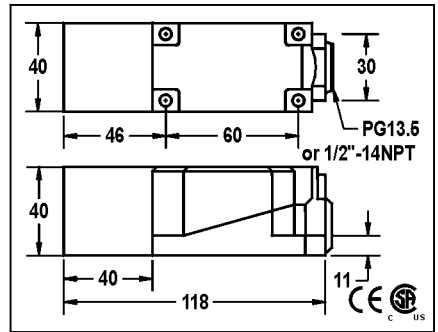


6-12VDC	
>2.2mA(OFF)	<1.1mA(ON)
100HZ	
1ms/1ms	
<15%(Sr)	
IP67	
-25°C - +70°C	
<2%(Sr)	
<10ms	
RFI>3V/m / EFT>1KV / ESD>4KV (contact)	
IEC 60947-5-2,Part 7.4.1 / IEC 60947-5-2,Part 7.4.2	
PBT	

FCP2-D3420NU	21
--------------	----

4.8φ44x0.1	
Approx.112 g	

Q40		
○	●	●
15 mm	20 mm	30 mm
PBT RESIN		
○		



6-12VDC	
>2.2mA(OFF)	<1.1mA(ON)
100HZ	
1ms/1ms	
<15%(Sr)	
IP67	
-25°C - +70°C	
<2%(Sr)	
<10ms	
RFI>3V/m / EFT>1KV / ESD>4KV (contact)	
IEC 60947-5-2,Part 7.4.1 / IEC 60947-5-2,Part 7.4.2	
PBT	

FQP1-4015NU	FQP2-4020NU	FQP2-4030NU	21
-------------	-------------	-------------	----

Approx.242 g	
--------------	--