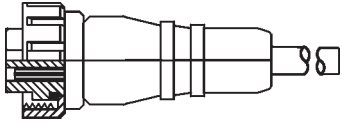
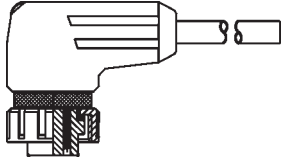


MINI-STYLE INDEX



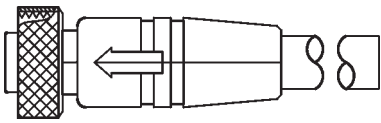
Mini-style / 7/8" Female / Straight

Page:F-02



Mini-style / 7/8" / Female / Right Angle

Page:F03



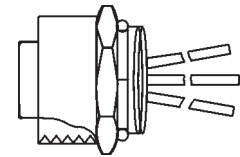
Mini-style / 7/8" / Female / Straight

Page:F-04



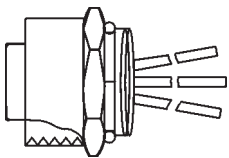
Mini-style / 7/8" / Female / Straight

Page:F-05



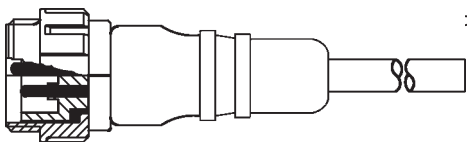
Mini-style / 7/8" / Female / Straight

Page:F-06



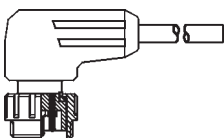
Mini-style / 7/8" / Female / Straight

Page:F-07



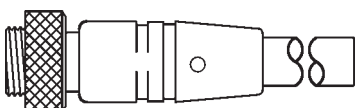
Mini-style / 7/8" / Male / Straight

Page:F-08



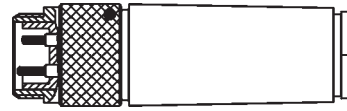
Mini-style / 7/8" / Male / Right Angle

Page:F-09



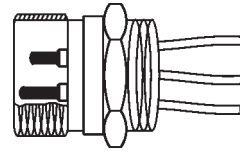
Mini-style / 7/8" / Male / Straight

Page:F-10



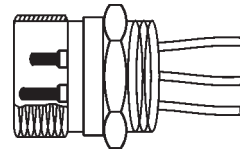
Mini-style / 7/8" / Male / Straight

Page:F-11



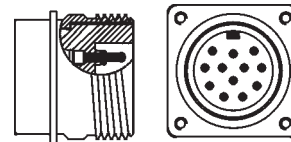
Mini-style / 7/8" / Male / Straight

Page:F-12



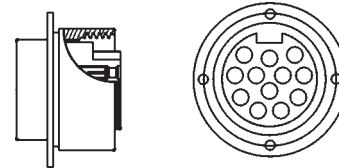
Mini-style / 7/8" / Male / Straight

Page:F-13



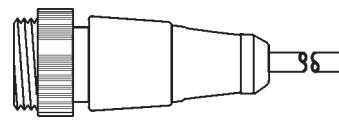
Mini-style / 7/8" / Male / Straight

Page:F-14



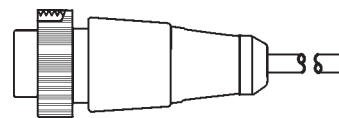
Mini-style / 7/8" / Female / Straight

Page:F-15



Mini-style / 7/8" / Male / Straight

Page:F-16



Mini-style / 7/8" / Female / Straight

Page:F-17

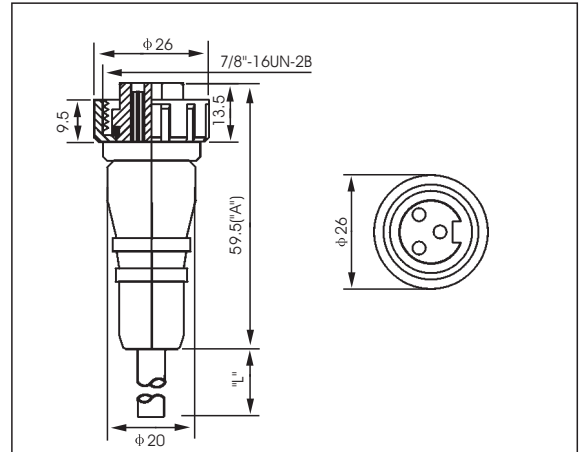
MINI-STYLE QUICK DISCONNECT CABLES

View



- Female Mini-style
- With locknut and moulded cable
- Orange

Dimensional data



Technical Data

Application Class: GNA acc. to DIN 40040
 (-40 °C / +90 °C / ≤ 100%)
 Moulded Body: TPU, self-extinguishing
 Nominal Power: 2+3poles 12A/ 4+5poles 9A
 Nominal Voltage: 250VAC
 Body: TPU, self-extinguishing
 Contact: CuZn, 3 microns silver-plated
 and 0.25 microns gold-plated
 Insertion Force/Contact: ≤ 3N

Withdrawal Force/Contact: ≥ 1N
 Protection: IP 68
 Water Pressure Resistance: 10 bar
 Insulation Group: C acc.to VDE 0110
 Contact Resistance : ≤ 5m Ω
 Test Voltage: 2+3poles, 2.5 KV eff./60s./
 4+5poles, 1.5 KV eff./60s.
 Insulation Resistance: > 10⁹Ω
 CSA certified: 219967

Catalog Number

Part-No	Poles	Face View female	Color code	Conductors		Outer Jacket	
				Guage	Stranding	φ mm	Material
Z-FS2PAV012	2		1=brown 2=blue	0.75mm ²	22xφ0.20	6.8	PVC
Z-FS3PAV032	3		1=brown 2=yellow/green 3=blue	0.75mm ²	22xφ0.20	7.2	PVC
Z-FS3PAV082/B			1=brown 2=black 3=blue	0.50mm ²	16xφ0.20	6.3	
Z-FS4PAV422	4		1=brown 2=white 3=blue 4=black	0.50mm ²	16xφ0.20	6.3	PVC
Z-FS5PAV022	5		1=black 2=blue 3=yellow/green 4=brown 5=white	0.50mm ²	16xφ0.20	6.8	PVC

Standard length: 2.0 m and 5.0 m. Other cable length or cable specifications on request.

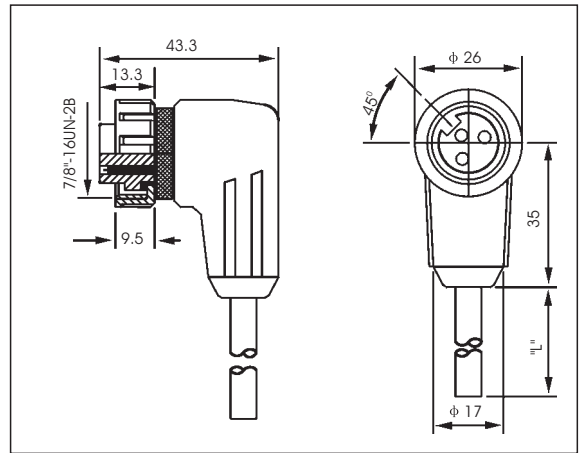
MINI-STYLE QUICK DISCONNECT CABLES

View



- Female Mini-style
- Right-angle style
- With screw-lock and moulded cable
- Orange

Dimensional data



Technical Data

Application Class: GNA acc. to DIN 40040
 (-40 °C / +90 °C / ≤ 100%rF)

Moulded Body: TPU, self-extinguishing

Nominal Power: 2+3poles 12A/ 4+5poles 9

Nominal Voltage: 250VAC

Body: TPU, self-extinguishing

Contact: CuZn, 3 microns silver-plated
 and 0.25 microns gold-plated

Insertion Force/Contact: ≤ 3N

Withdrawal Force/Contact: ≥ 3N

Protection : IP 68

Water Pressure resistance: 10 bar

Insulation Group: C acc.to VDE 0110

Contact Resistance: ≤ 5m Ω

Test Voltage: 2+3poles, 2.0 KV eff./60s./
 4+5poles, 1.5 KV eff./60s.

Insulation Resistance: >10⁹ Ω

CSA certified: 219967

Catalog Number

Part-No	Poles	Face View female	Color Code	Conductors		Outer Jacket	
				Guage	Stranding	φ mm	Material
Z-FA2PAV012	2		1=brown 2=blue	0.75mm ²	22 x φ0.20	6.8	PVC
Z-FA3PAV032	3		1=brown 2=yellow/green 3=blue	0.75mm ²	22 x φ0.20	7.2	PVC
Z-FA3PAV082/B			1=brown 2=black 3=blue	0.50mm ²	16 x φ0.20	6.3	
Z-FA4PAV422	4		1=brown 2=white 3=blue 4=black	0.50mm ²	16 x φ0.20	6.3	PVC
Z-FA5PAV022	5		1=black 2=blue 3=yellow/green 4=brown 5=white	0.50mm ²	16 x φ0.20	6.8	PVC

Standard Length: 2.0 m and 5.0 m. Other cable length or cable specifications on request.

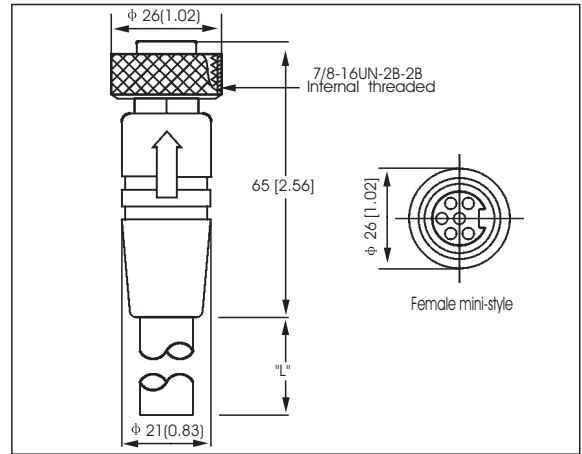
MINI-STYLE QUICK DISCONNECT CABLES

View



- With locknut and moulded cable
- Orange

Dimensional data



Technical Data

Application Class: GNA acc. to DIN 40040
 (-40 °C / +90 °C / $\leq 100\%$)
 Moulded Body: TPU, self-extinguishing
 Nominal Power: 2+3poles 12A/ 4+5poles 9A
 Nominal Voltage: 250VAC
 Body: TPU, self-extinguishing
 locking Nut: Nickel plated brass
 Contact: CuZn, 3 microns silver-plated
 and 0.25 microns gold-plated
 Insertion Force/Contact: $\leq 3N$

Withdrawal Force/Contact: $\geq 1N$
 Protection: IP 68
 Water Pressure resistance: 10 bar
 Insulation Group: C acc.to VDE 0110
 Contact Resistance : $\leq 5m \Omega$
 Test Voltage: 2+3poles, 2.5 KV eff./60s./
 4+5poles, 1.5 KV eff./60s.
 Insulation Resistance: $>10^9 \Omega$
 CSA certified: 219967

Catalog Number

Part-No	Poles	Face View female	Color Code	Conductors		Outer Jacket	
				Guage	Stranding	ϕ mm	Material
Z-FS2KAV012	2		1=brown 2=blue	0.75mm ²	22x ϕ 0.20	6.8	PVC
Z-FS3KAV082	3		1=brown 2=black 3=blue	0.50mm ²	16 x ϕ 0.20	6.3	PVC
Z-FS4KAV422	4		1=brown 2=white 3=blue 4=black	0.50mm ²	16 x ϕ 0.20	6.3	PVC
Z-FS5KAV432	5		1=black 2=blue 3=yellow/ Green 4=brown 5=white	0.50mm ²	16 x ϕ 0.20	6.8	PVC
Z-FS6KAV442	6		1=black 2=blue 3=yellow 4=brown 5=white 6=green	0.50mm ²	16 x ϕ 0.20	6.8	PVC

Standard length: 2.0 m and 5.0 m. Other cable length or cable specifications on request.

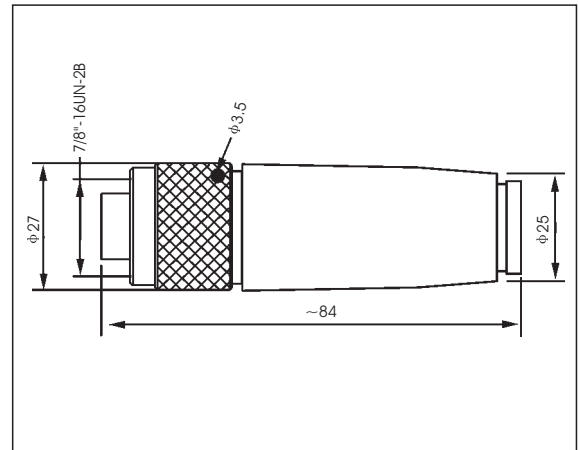
MINI-STYLE QUICK DISCONNECT RECEPTACLES

View



- Convenient screw terminations
- Easy assembly for modification of existing installations
- Thread grommet sizes PG9, PG11, PG13.5, PG16
- Nylon molded connector shell

Dimensional data



Technical Data

Application Class: GNA acc. to DIN 40040
 (-40 °C / +90 °C / ≤ 100%rF)

Insert: TPU

Nominal Power: 2+3poles 12A / 4+5poles 9A

Nominal Voltage: 250VAC

Body: PA6.6 self-extinguishing

Contact: CuZn, 3 microns silver-plated
 and 0.25 microns gold-plated

Insertion Force/Contact: ≤ 5N

Withdrawal Force/Contact: ≥ 3N

O-Ring: NBR

Protection: IP 67 (only in fully locked position)

Locknut: Steel, galvanized and chromated

Mode of Connection: Screw clamps

Contact Resistance: ≤ 5m Ω

Test Voltage: 3poles, 2.5 KV eff./60s./
 4+5poles, 1.5 KV eff./60s.

Insulation Resistance: >10⁹ Ω

CSA certified: 219967

Catalog Number

Part-No	Poles	Face View female	Max. Wire section (mm ²)	Screw Joint for cable
Z-FS3KA/PG9	3		Max. 1.5 mm ²	PG 9 φ 6...8 mm
Z-FS3KA/PG11				PG 11 φ 8...10 mm
Z-FS3KA/PG13.5				PG 13.5 φ 10...12 mm
Z-FS3KA/PG16				PG 16 φ 12...14 mm
Z-FS4KA/PG9	4		Max. 1.5 mm ²	PG 9 φ 6...8 mm
Z-FS4KA/PG11				PG 11 φ 8...10 mm
Z-FS4KA/PG13.5				PG 13.5 φ 10...12 mm
Z-FS4KA/PG16				PG 16 φ 12...14 mm
Z-FS5KA/PG9	5		Max. 1.5 mm ²	PG 9 φ 6...8 mm
Z-FS5KA/PG11				PG 11 φ 8...10 mm
Z-FS5KA/PG13.5				PG 13.5 φ 10...12 mm
Z-FS5KA/PG16				PG 16 φ 12...14 mm

Standard length: 2.0 m and 5.0 m. Other cable length or cable specifications on request.

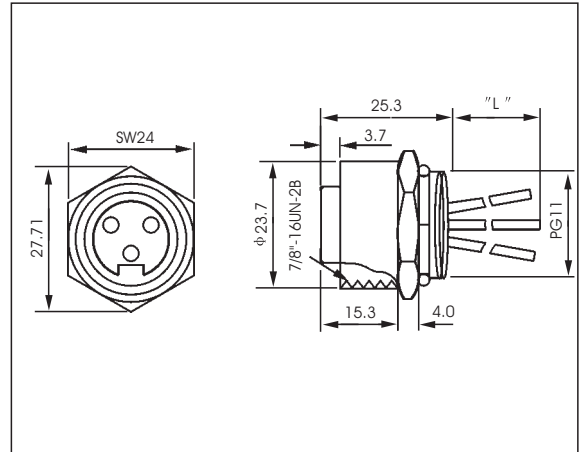
MINI-STYLE QUICK DISCONNECT CABLES

View



- Female Mini-style receptacle
- Front mounting , with wire ends
- Thread chassis side PG 11 , screw Mounting
- From rear with nut RMF 11 (see page C-34)
- Solder contacts Potted with epoxy

Dimensional data



Technical Data

Application Class: GPD acc. to DIN 40040
(-40 °C /+90 °C / ≤ 100%)

Insert: TPU

Nominal Power: 2+3poles 12A/ 4+5poles 9A

Nominal Voltage: 250VAC

Receptacle Housing: Nickel plated brass

Contact: CuZn, 3 microns silver-plated
And 0.25 microns gold-plated

O-Ring: Cr,self-extinguishing

Insertion Force/Contact: ≤ 3N

Withdrawal Force/Contact: ≥ 1N

Protection: IP 68

Water Pressure resistance: 10 bar

Insulation Group: C acc.to VDE 0110

Contact Resistance : ≤ 10mΩ

Test Voltage: 2+3poles,2.5 KV eff./60s./
4+5poles,1.5 KV eff./60s.

Insulation Resistance: > 10⁹Ω

CSA certified: 219967

Catalog Number

Part-No	Poles	Face View female	Color Code	Conductors		Conductor insulation φ mm(single)
				Guage	Stranding	
Z-FS2FA/0.5/PG11	2		1=brown 2=blue	0.75mm ²	8x φ0.20	1.5
Z-FS3FA/0.5/PG11	3		1=brown 2=black 3=blue	0.75mm ²	21x φ0.20	1.8
Z-FS4FA/0.5/PG11	4		1=brown 2=white 3=blue 4=black	0.50mm ²	16x φ 0.20	1.8
Z-FS5FA/0.5/PG11	5		1=black 2=blue 3=yellow/green 4=brown 5=white	0.50mm ²	16x φ 0.20	1.8

Standard length: 2.0 m and 5.0 m. Other cable length or cable specifications on request.

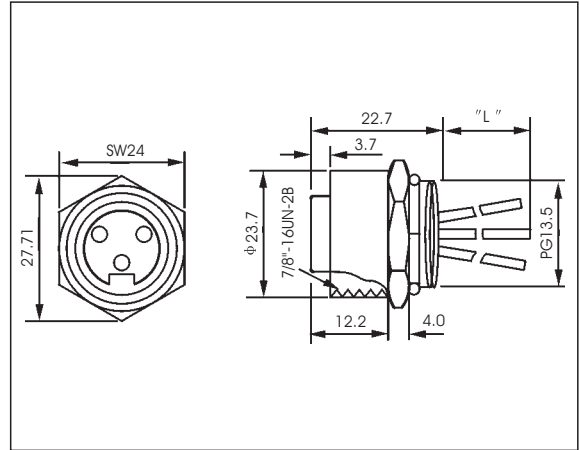
MINI-STYLE QUICK DISCONNECT CABLES

View



- Female Mini-style receptacle
- Front mounting
- With wire ends
- Thread chassis side PG13.5
- Screw mounting
- From rear with nut RMF13.5 (see page C-34)
- Solder contacts potted with epoxy

Dimensional data



Technical Data

Application Class: GPD acc. to DIN 40040
 (-40 °C / +90 °C / ≤ 100%rF)

Insert: TPU

Nominal Power: 2+3poles 12A/ 4+5poles 9A

Nominal Voltage: 250VAC

Receptacle Housing: Nickel plated brass

Contact: CuZn, 3 microns silver-plated
 And 0.25 microns gold-plated

O-Ring: Cr, self-extinguishing

Insertion Force/contact: ≤ 3N

Withdrawal Force/Contact: ≥ 1N

Protection : IP 68

Water Pressure Resistance: 10 bar

Insulation Group: C acc. to VDE 0110

Contact Resistance: ≤ 10m Ω

Test Voltage: 2+3poles, 2.5 KV eff./60s./
 4+5poles, 1.5 KV eff./60s.

Insulation Resistance: >10⁹ Ω

CSA certified: 219967

Catalog Number

Part-No	Poles	Face View female	Color Code	Conductors		Conductor insulation φ mm (single)
				Guage	Stranding	
Z-FS2FA/0.5/PG13.5	2		1=brown 2=blue	0.75mm ²	21xφ 0.20	1.8
Z-FS3FA/0.5/PG13.5	3		1=brown 2=yellow/green 3=blue	0.75mm ²	21xφ 0.20	1.8
Z-FS3FA/0.5/PG13.5/B			1=brown 2=black 3=blue			
Z-FS4FA/0.5/PG13.5	4		1=brown 2=white 3=blue 4=black	0.50mm ²	16xφ 0.20	1.8
Z-FS5FA/0.5/PG13.5	5		1=black 2=blue 3=yellow/green 4=brown 5=white	0.50mm ²	16xφ 0.20	1.8

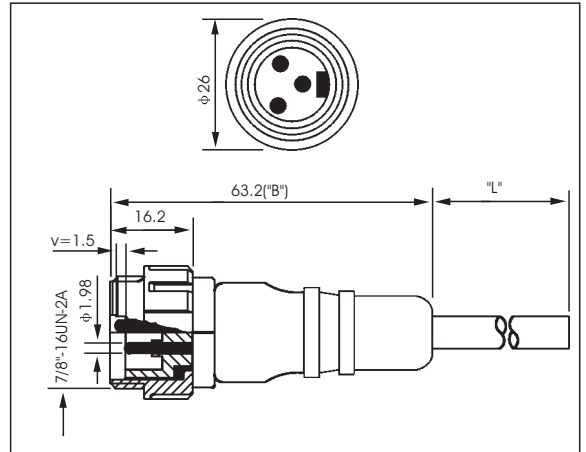
MINI-STYLE QUICK DISCONNECT CABLES

View



- Mini-style
- With locknut and moulded Cable ,orange

Dimensional data



Technical Data

Application Class: GNAcc. to DIN 40040
(-40 °C / +9 °C / ≤ 100%)

Moulded Body: TPU, self-extinguishing

Nominal Power: 2+3poles 12A/ 4+5poles 9A

Nominal Voltage: 250VAC

Contact: CuZn, 3 microns silver-plated
and 0.25 microns gold-plated

Body: TPU, self-extinguishing

Protection: IP 68

Water Pressure Resistance: 10 bar

Insulation Group: C acc.to VDE 0110

Test Voltage: 2+3poles, 2.5 KV eff./60s./
4+5poles, 1.5 KV eff./60s.

Insulation Resistance: > 10⁹ Ω

CSA certified: 219967

Catalog Number

Part-No	Poles	Face View male	Color Code	Conductors		Outer Jacket	
				Guage	Stranding	φ mm	Material
Z-MS2PAV012	2		1=brown 2=blue	0.75mm ²	22xφ 0.20	6.8	PVC
Z-MS3PAV032	3		1=brown 2=yellow/green 3=blue	0.75mm ²	22xφ 0.20	7.2	PVC
Z-MS3PAV082/B			1=brown 2=black 3=blue	0.50mm ²	16xφ 0.20	6.3	
Z-MS4PAV422	4		1=brown 2=white 3=blue 4=black	0.50mm ²	16xφ 0.20	6.3	PVC
Z-MS5PAV022	5		1=black 2=blue 3=yellow/green 4=brown 5=white	0.50mm ²	16xφ 0.20	6.8	PVC

Standard length: 2.0 m and 5.0 m. Other cable length or cable specifications on request.

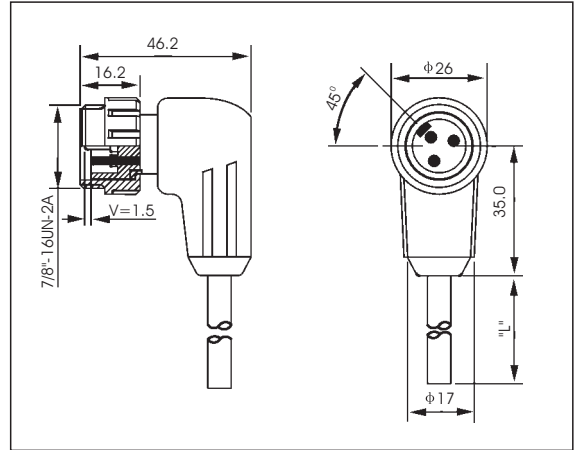
MINI-STYLE QUICK DISCONNECT CABLES

View



- Right-angle style
- With screw-lock and moulded cable
- Orange

Dimensional data



Technical Data

Application Class: GNA acc. to DIN 40040
 (-40 °C / +90 °C / ≤ 100%rF)

Moulded Body: TPU, self-extinguishing

Nominal Power: 2+3poles 12A / 4+5poles 9A

Nominal Voltage: 250VAC

Contact: CuZn, 3 microns silver-plated and 0.25 microns gold-plated

Body : TPU, self-extinguishing

Protection : IP 68

Water Pressure Resistance: 10 bar

Insulation Group: C acc.to VDE 0110

Test Voltage: 2+3poles, 2.5 KV eff./60s./
 4+5poles, 1.5 KV eff./60s.

Insulation Resistance: >10⁹ Ω

CSA certified: 219967

Catalog Number

Part-No	Poles	Face View male	Color Code	Conductors		Outer Jacket	
				Guage	Stranding	ϕ mm	Material
Z-MA2PAV012	2		1=brown 2=blue	0.75mm ²	22x ϕ 0.20	6.8	PVC
Z-MA3PAV032	3		1=brown 2=yellow/green 3=blue	0.75mm ²	22x ϕ 0.20	7.2	PVC
Z-MA3PAV082/B			1=brown 2=black 3=blue	0.50mm ²	16x ϕ 0.20	6.3	
Z-MA4PAV422	4		1=brown 2=white 3=blue 4=black	0.50mm ²	16x ϕ 0.20	6.3	PVC
Z-MA5PAV022	5		1=black 2=blue 3=yellow/green 4=brown 5=white	0.50mm ²	16x ϕ 0.20	6.8	PVC

Standard length: 2.0 m and 5.0 m. Other cable length or cable specifications on request.

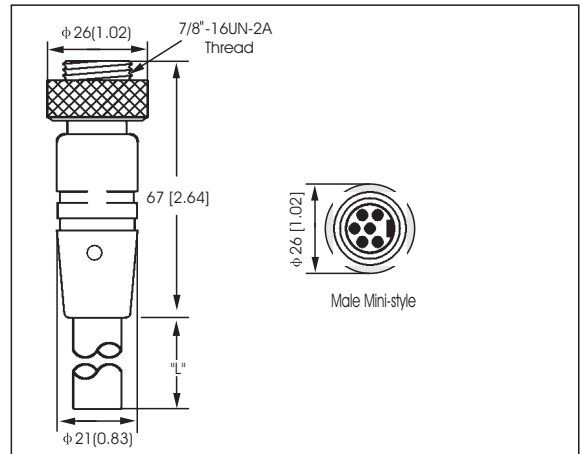
MINI-STYLE QUICK DISCONNECT CABLES

View



- With locknut and Moulded cable
- Orange.

Dimensional data



Technical Data

Application Class: GNAcc. to DIN 40040
 (-40 °C / +90 °C / $\leq 100\%$)
 Moulded Body: TPU, self-extinguishing
 Nominal Power: 2+3poles 12A/ 4+5poles 9A
 Nominal Voltage: 250VAC
 Body: TPU, self-extinguishing
 locking Nut: Nickel plated brass
 Contact: CuZn, 3 microns silver-plated and 0.25 microns gold-plated
 Insertion Force/Contact: $\leq 3N$

Withdrawal Force/Contact: $\geq 1N$
 Protection: IP 68
 Water Pressure Resistance: 10 bar
 Insulation Group: C acc.to VDE 0110
 Contact Resistance: $\leq 5m\Omega$
 Test Voltage: 2+3poles, 2.5 KV eff./60s./
 4+5poles, 1.5 KV eff./60s.
 Insulation Resistance: $>10^9\Omega$
 CSA certified: 219967

Catalog Number

Part-No	Poles	Face View male	Color Code	Conductors		Outer Jacket	
				Guage	Stranding	ϕ mm	Material
Z-MS2KAV012	2		1=brown 2=blue	0.75mm ²	22x $\phi 0.20$	6.8	PVC
Z-MS3KAV082	3		1=brown 2=black 3=blue	0.50mm ²	16 x $\phi 0.20$	6.3	PVC
Z-MS4KAV422	4		1=brown 2=white 3=blue 4=black	0.50mm ²	16 x $\phi 0.20$	6.3	PVC
Z-MS5KAV432	5		1=black 2=blue 3=yellow/ green 4=brown 5=white	0.50mm ²	16 x $\phi 0.20$	6.8	PVC
Z-MS6KAV442	6		1=black 2=blue 3=yellow 4=brown 5=white 6=green	0.50mm ²	16 x $\phi 0.20$	6.8	PVC

Standard length: 2.0 m and 5.0 m. Other cable length or cable specifications on request.

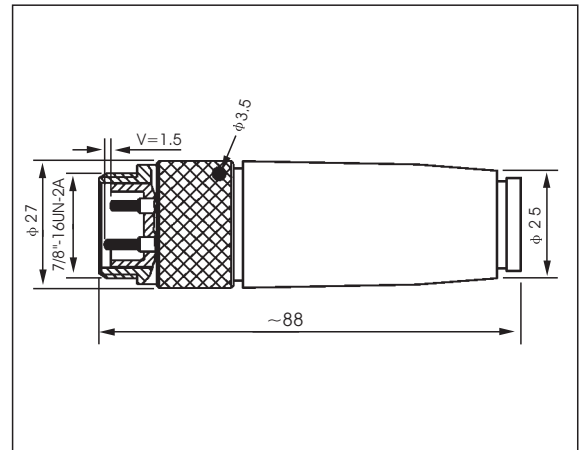
MINI-STYLE QUICK DISCONNECT RECEPTACLES

View



- Mini-style
- With locknut

Dimensional data



Technical Data

Application Class: GPD acc. to DIN 40040
(-40 °C / +90 °C / ≤ 100%rF)

Insert: TPU

Nominal Power: 2+3poles 12A/ 4+5poles 9A

Nominal Voltage: 250VAC

Body: PA6.6 GV, self-extinguishing

Contact: CuZn, pre-plated and
0.8 microns gold-plated

Insertion Force/Contact: ≤ 5N

Withdrawal Force/Contact: ≥ 3N

O-Ring: NBR

Protection: IP 67 (only in fully locked position)

Locknut: Steel, galvanized and chromated

Mode of Connection: Screw clamps

Contact Resistance: ≤ 5mΩ

Test Voltage: 3poles, 2.5 KV eff./60s.

4+5poles, 1.5 KV eff./60s.

Insulation Resistance: >10⁹Ω

CSA certified: 219967

Catalog Number

Part-No	Poles	Face View male	Max. Wire section mm ²	Screw Joint for cable
Z-MS3KA/PG9	3		max. 1.5 mm ²	PG 9 φ 6....8 mm
Z-MS3KA/PG11				PG 11 φ 8....10 mm
Z-MS3KA/PG13.5				PG 13.5 φ 10....12 mm
Z-MS3KA/PG16				PG 16 φ 12....14 mm
Z-MS4KA/PG9	4		max. 1.5 mm ²	PG 9 φ 6....8 mm
Z-MS4KA/PG11				PG 11 φ 8....10 mm
Z-MS4KA/PG13.5				PG 13.5 φ 10....12 mm
Z-MS4KA/PG16				PG 16 φ 12....14mm
Z-MS5KA/PG9	5		max. 1.5 mm ²	PG 9 φ 6....8 mm
Z-MS5KA/PG11				PG 11 φ 8....10 mm
Z-MS5KA/PG13.5				PG 13.5 φ 10....12 mm
Z-MS5KA/PG16				PG 16 φ 12....14 mm

Standard length: 2.0 m and 5.0 m. Other cable length or cable specifications on request.

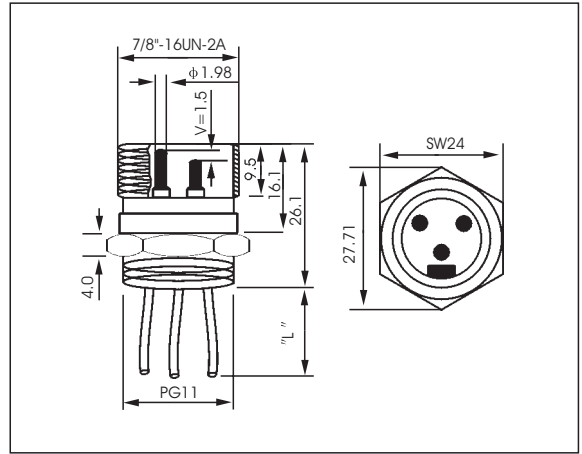
MINI-STYLE QUICK DISCONNECT CABLES

View



- Mini-style receptacle
- Front mounting, with wire ends
- Thread chassis side Pg 11
- Screw mounting from rear
- With nut RMF11 (see page C-34)
- Solder contacts potted with epoxy

Dimensional data



Technical Data

Application Class: GPD acc. to DIN 40040
(-40 °C / +90 °C / ≤ 100%)

Insert: TPU

Nominal Power: 2+3poles 12A/ 4+5poles 9A

Nominal Voltage: 250VAC

Receptacle Housing: Nickel plated brass

Contact: CuZn, 3 microns silver-plated and 0.25 microns gold-plated

O-Ring: Cr, self-extinguishing

Protection: IP 68

Water Pressure Resistance: 10 bar

Insulation Group: C acc.to VDE 0110

Contact Resistance: ≤ 10mΩ

Test Voltage: 2+3poles, 2.5 KV eff./60s./
4+5poles, 1.5 KV eff./60s.

Insulation Resistance: >10⁹ Ω

CSA certified: 219967

Catalog Number

Part-No	Poles	Face View male	Color Code	Conductors		Conductor insulation φ mm(single)
				Guage	Stranding	
Z-MS2FA/0.5/PG11	2		1=brown 2=blue	0.25mm ²	8×φ0.20	1.5
Z-MS3FA/0.5/PG11	3		1=brown 2=black 3=blue	0.75mm ²	21×φ0.20	1.8
Z-MS4FA/0.5/PG11	4		1=brown 2=white 3=blue 4=black	0.50mm ²	16×φ0.20	1.8
Z-MS5FA/0.5/PG11	5		1=black 2=blue 3=yellow/green 4=brown 5=white	0.50mm ²	16×φ0.20	1.8

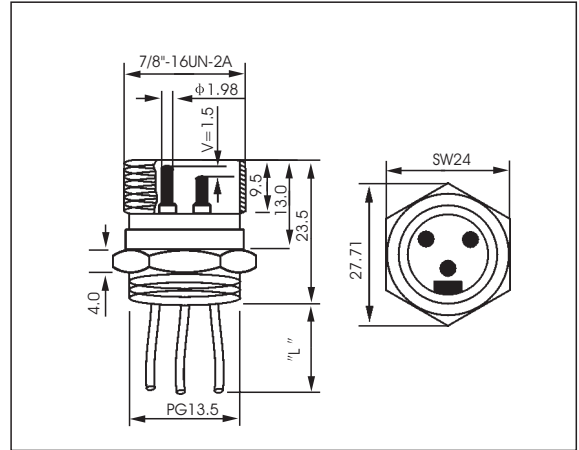
MINI-STYLE QUICK DISCONNECT RECEPTACLES

View



- Mini-style receptacle
- Front mounting, with wire ends
- Thread chassis side PG13.5
- Screw mounting from rear
- With nut RMF 13.5 (see page C-34)
- Solder contacts potted with epoxy

Dimensional data



Technical Data

Application Class: GPD acc. to DIN 40040
(-40 °C / +90 °C / ≤ 100%rF)

Insert: TPU

Nominal Power: 2+3poles 12A/ 4+5poles 9A

Nominal Voltage: 250VAC

Receptacle Housing: Nickel plated brass

Contact: CuZn, pre-plated and 0.8 microns gold-plated

O-Ring: Cr, self-extinguishing

Protection: IP 68

Water Pressure Resistance: 10 bar

Insulation Group: C acc. to VDE 0110

Contact Resistance: ≤ 10m Ω

Test Voltage: 2+3poles, 2.0 KV eff./60s./

4+5poles, 1.5 KV eff./60s.

Insulation Resistance: >10⁹ Ω

CSA certified: 219967

Catalog Number

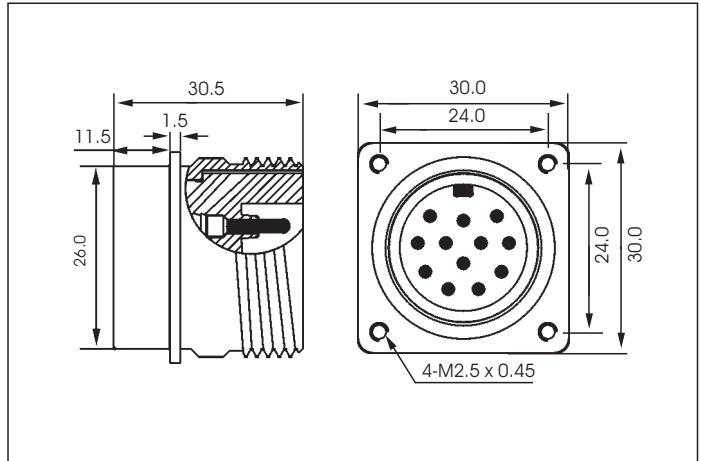
Part-No	Poles	Face View male	Color Code	Conductors		Conductor insulation φ mm(single)
				Guage	Stranding	
Z-MS2FA/0.5/PG13.5	2		1=brown 2=blue	0.25mm ²	8x φ 0.20	1.5
Z-MS3FA/0.5/PG13.5	3		1=brown 2=yellow/green 3=blue	0.75mm ²	21x φ 0.20	1.8
Z-MS3FA/0.5/PG13.5/B			1=brown 2=black 3=blue			
Z-MS4FA/0.5/PG13.5	4		1=brown 2=white 3=blue 4=black	0.50mm ²	16 × φ 0.20	1.8
Z-MS5FA/0.5/PG13.5	5		1=black 2=blue 3=yellow/green 4=brown 5=white	0.50mm ²	16 × φ 0.20	1.8

MINI-STYLE QUICK DISCONNECT RECEPTACLES

View



Dimensional data



Description


Mini Connectors for Z-FS12KAA612

Technical Data

- 1.Application Class:** -40 °C to +90 °C
- 2.Materials:**
 Body: PUR (Polyurethane), Yellow
 Contact: Brass, gold over nickel plating
 Coupling Nut: Nickel plated brass
 Insert: PUR (Polyurethane), Yellow
- 3.Electrical Data:**
 Contact Resistance: $\leq 5m\Omega$
 Current Rating: 7A
 Working Voltage: 600VAC
 Dielectric Withstanding Voltage: 2 kVAC RMS/60sec
 Insulation Resistance: $>10^9 \Omega$

- 4.Mechanical Data:**
 Insertion Force (contact): $\leq 3.0N (.67LBS)$
 Withdrawal Force (contact): $\geq 1.0N (.22LBS)$
 Protection: IP68(only in fully locked position)
 Shock: IEC-68-2-27
 Vibration: IEC-68-2-6

- 5. CE Conformity with Standards:**
 EN50082-1, EN50082-2 and IEC60947-5-2

Part Number	Face View of Male Plug	Poles	Screw Joint for Cable
Z-MS12FA/A24		12	11/8"-16

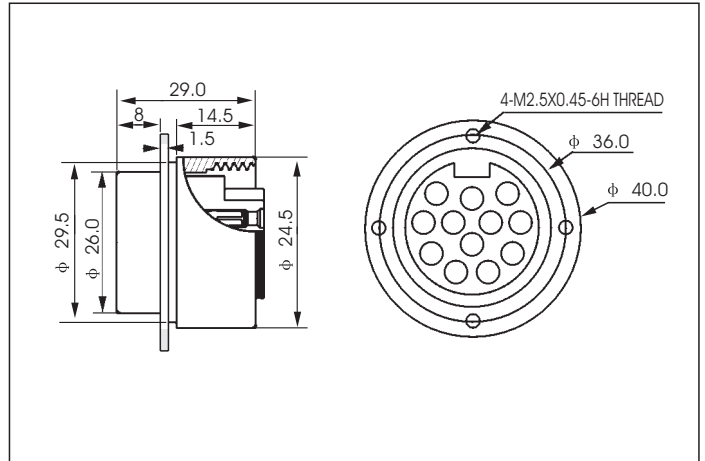
xx-Standard cable available in 2-meter(2) 5-meter(5),and 10-meter.
 Other cable length or cable specifications on request.

MINI-STYLE QUICK DISCONNECT RECEPTACLES

View



Dimensional data



Description

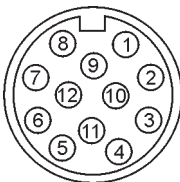
Mini Connectors for Z-MS12KAA612

Technical Data

- 1.Application Class:** -40 °C to +90 °C
- 2.Materials:**
 Body: PUR (Polyurethane), Yellow
 Contact: Brass, gold over nickel plating
 Coupling Nut: Nickel plated brass
 Insert: PUR (Polyurethane), Yellow
- 3.Electrical Data:**
 Contact Resistance: $\leq 5m\Omega$
 Current Rating: 7A
 Working Voltage: 600VAC
 Dielectric Withstanding Voltage: 2 kVAC RMS/60sec
 Insulation Resistance: $>10^9\Omega$

- 4.Mechanical Data:**
 Insertion Force (contact): $\leq 3.0N (.67LBS)$
 Withdrawal Force (contact): $\geq 1.0N (.22LBS)$
 Protection: IP68(only in fully locked position)
 Shock: IEC-68-2-27
 Vibration: IEC-68-2-6

- 5. CE Conformity with Standards:**
 EN50082-1, EN50082-2 and IEC60947-5-2

Part Number	Face View of Female Plug	Poles	Screw Joint for Cable
Z-FS12FA/C23		12	11/8"-16

xx-Standard cable available in 2-meter(2) 5-meter(5),and 10-meter.
 Other cable length or cable specifications on request.

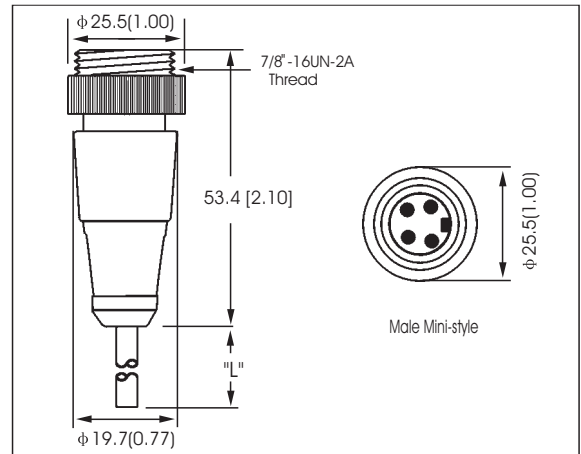
MINI-STYLE QUICK DISCONNECT CABLES

View



- With locknut and Moulded cable
- Yellow
- Male Mini-style

Dimensional data



Technical Data

Application Class: GNAacc. to DIN 40040
 (-40 °C / +90 °C / ≤ 100%)

Moulded Body: TPU, self-extinguishing

Nominal Power: 2+3poles 12A / 4+5poles 9A

Nominal Voltage: 250VAC

Body: TPU, self-extinguishing

Locking Nut: Painting Aluminum

Contact: CuZn, 3 microns silver-plated and 0.25 microns gold-plated

Insertion Force/Contact: ≤ 3N

Withdrawal Force/Contact: ≥ 1N

Protection: IP 68

Water Pressure Resistance: 10 bar

Insulation Group: C acc.to VDE 0110

Contact Resistance: ≤ 5m Ω

Test Voltage: 2+3poles, 2.5 KV eff./60s.
 4+5poles, 1.5 KV eff./60s.

Insulation Resistance: >10⁹ Ω

CSA certified: 219967

Catalog Number

Part-No	Poles	Face View male	Color Code	Conductors		Outer Jacket	
				Guage	Stranding	φ mm	Material
Z-MS4KAY762	4		1=brown 2=white 3=blue 4=black	0.34mm ²	26 x φ0.13	5.3	PUR

Standard length: 2.0 m and 5.0 m. Other cable length or cable specifications on request.

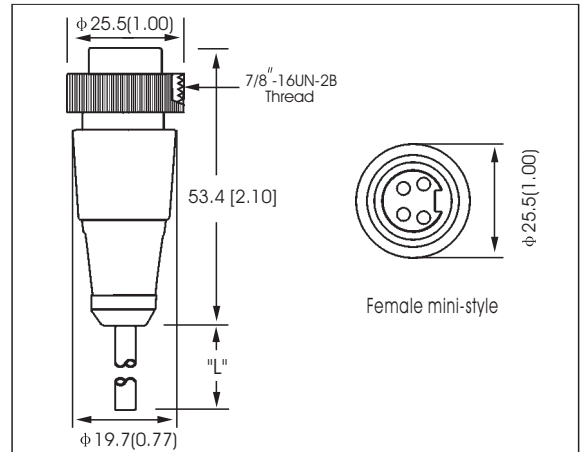
MINI-STYLE QUICK DISCONNECT CABLES

View



- With locknut and Moulded cable
- Yellow
- Female Mini-style

Dimensional data




Technical Data

Application Class: GNAcc. to DIN 40040
 (-40 °C / +90 °C / ≤ 100%)
 Moulded Body: TPU, self-extinguishing
 Nominal Power: 2+3poles 12A/ 4+5poles 9A
 Nominal Voltage: 250VAC
 Body: TPU, self-extinguishing
 Locking Nut: Painting Aluminum
 Contact: CuZn, 3 microns silver-plated and 0.25 microns gold-plated
 Insertion Force/Contact: ≤ 3N

Withdrawal Force/Contact: ≥ 1N
 Protection: IP 68
 Water Pressure Resistance: 10 bar
 Insulation Group: C acc. to VDE 0110
 Contact Resistance: ≤ 5m Ω
 Test Voltage: 2+3poles, 2.5 KV eff./60s.
 4+5poles, 1.5 KV eff./60s.
 Insulation Resistance: >10⁹ Ω
 CSA certified: 219967

Catalog Number

Part-No	Poles	Face View male	Color Code	Conductors		Outer Jacket	
				Guage	Stranding	φ mm	Material
Z-FS4KAY762	4		1=brown 2=white 3=blue 4=black	0.34mm ²	26 x φ0.13	5.3	PUR

Standard length: 2.0 m and 5.0 m. Other cable length or cable specifications on request.