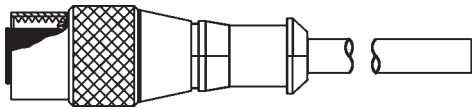
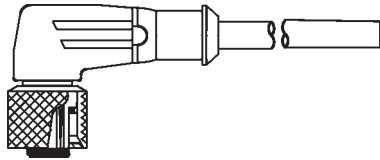


# MICRO-STYLE INDEX



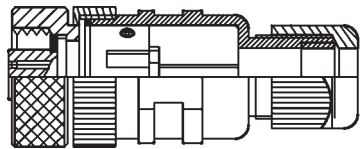
Micro-style/Female/Straight

Page:E-02



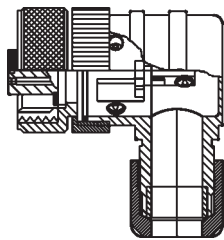
Micro-style/Male/Right Angle

Page:E-03



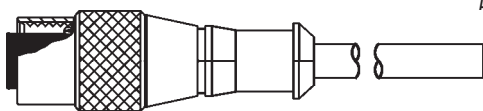
Micro-style/Female/Straight

Page:E-04



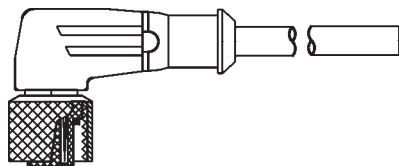
Micro-style/Male/Right Angle

Page:E-05



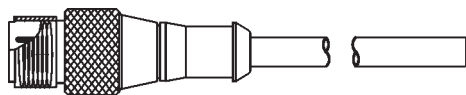
Micro-style/Female/Straight

Page:E-06



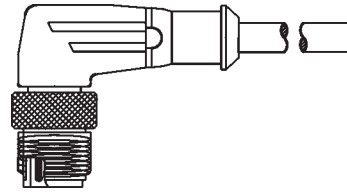
Micro-style/Male/Right Angle

Page:E-07



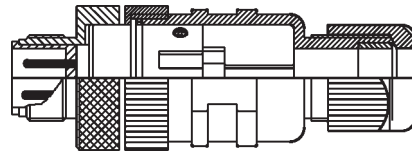
Micro-style/Male/Straight

Page:E-08



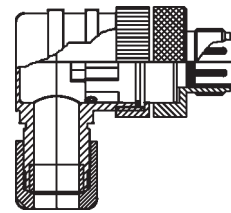
Micro-style/Male/Straight

Page:E-09



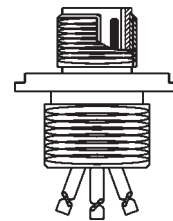
Micro-style/Male/Straight

Page:E-10



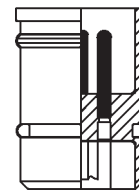
Micro-style/Male/Right Angle

Page:E-11



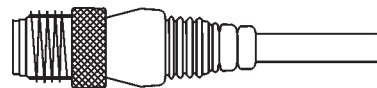
Micro-style/Male/Straight

Page:E-12



Micro-style/Male/Straight

Page:E-13



Micro-style/Male/Straight

Page:E-14

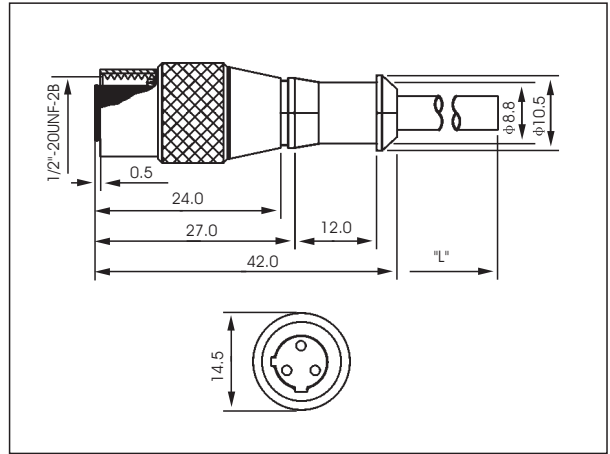
# MICRO-STYLE QUICK DISCONNECT CABLES

## View



- Female Micro-style
- Screw locking with (auto) securing safety nut
- With moulded cable
- PVC offers good resistance to oils and chemicals

## Dimensional data



## Technical Data

Application Class: HNA acc. to DIN 40040  
(-25 °C / +90 °C / ≤ 100%rF)

Moulded Body: TPU, self-extinguishing

Nominal Power: 4A

Nominal Voltage: 300VAC

Contact: CuZn, brass, pre-nickeled and 0.3 microns gold-plated  
5poles= CuZn, brass, pre-nickeled and 0.8 microns gold-plated

Body: TPU, self-extinguishing

Securing Safety nut: Nickel plated brass

Protection: IP 68

O-Ring: Viton

Contact Resistance: ≤ 5mΩ

Test Voltage: 3+4poles 2.0 KV eff./60s.  
5 poles 1.5 KV eff./60s.

Insulation Resistance: > 10<sup>9</sup>Ω

CSA certified: 219967

## Catalog Number

Part-No	Poles	Face View female	Color Code	Conductors		Outer Jacket	
				Guage	Stranding	φ mm	Material
U-FS3TAV152	3		1=green 2=red/black 3=red/white	0.25mm <sup>2</sup>	26 x φ0.13	5.0	PVC
U-FS4TAV162	4		1=red/black 2=red/white 3=red 4=green	0.25mm <sup>2</sup>	26 x φ0.13	5.0	PVC
U-FS5TAV182	5		1=red/white 2=red 3=green 4=red/yellow 5=red/black	0.34mm <sup>2</sup>	26 x φ0.13	5.2	PVC
U-FS6TAV192	6		1=red/white 2=red 3=green 4=red/yellow 5=red/black 6=red/blue	0.25mm <sup>2</sup>	26 x φ0.13	6.3	PVC

Standard length: 2.0 m, 5.0 m, 7.5 m, 10.0 m. Other cable length or cable specifications on request.

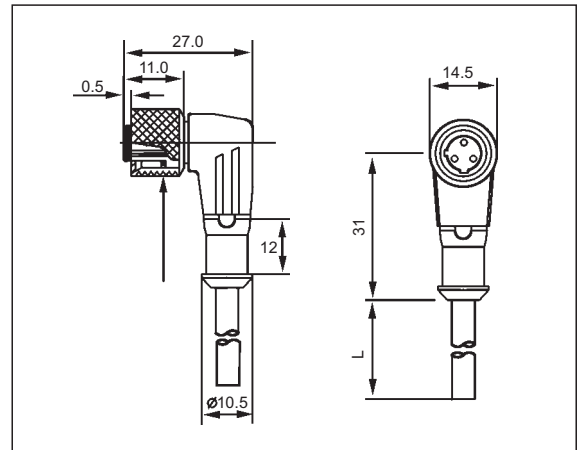
# MICRO-STYLE QUICK DISCONNECT CABLES

## View



- Female Micro-style right-angle style
- Screw locking with (auto) securing safety nut
- With moulded cable
- PVC offers good resistance to oils and chemicals

## Dimensional data



## Technical Data

Application Class: HNA acc. to DIN 40040  
(-25 °C / +90 °C / ≤ 100%rF)

Moulded Body: TPU, self-extinguishing

Nominal Power: 4A

Nominal Voltage: 300VAC

Contact: CuZn, brass, pre-nickel and 0.3 microns gold-plated  
5poles= CuZn, brass, pre-nickel and 0.8 microns gold-plated

Body: TPU, self-extinguishing

Securing Safety nut: Nickel plated brass

Protection: IP 68

O-Ring: Viton

Contact Resistance: ≤ 5 mΩ

Test Voltage: 3+4poles 2.0 KV eff./60s.  
5poles 1.5 KV eff./60s.

Insulation Resistance: > 10<sup>9</sup> Ω

CSA certified: 219967

## Catalog Number

Part-No	Poles	Face View female	Color Code	Conductors		Outer Jacket	
				Guage	Stranding	φ mm	Material
U-FA3TAV152	3		1=green 2=red/black 3=red/white	0.25mm <sup>2</sup>	26 x φ 0.13	5.0	PVC
U-FA4TAV162	4		1=red/black 2=red/white 3=red 4=green	0.25mm <sup>2</sup>	26 x φ 0.13	5.0	PVC
U-FA5TAV182	5		1=red/white 2=red 3=green 4=red/yellow 5=red/black	0.34mm <sup>2</sup>	26 x φ 0.13	5.2	PVC
U-FA6TAV192	6		1=red/white 2=red 3=green 4=red/yellow 5=red/black 6=red/blue	0.25mm <sup>2</sup>	26 x φ 0.13	6.3	PVC

Standard length: 2.0 m, 5.0 m, 7.5 m, 10.0 m. Other cable length or cable specifications on request.

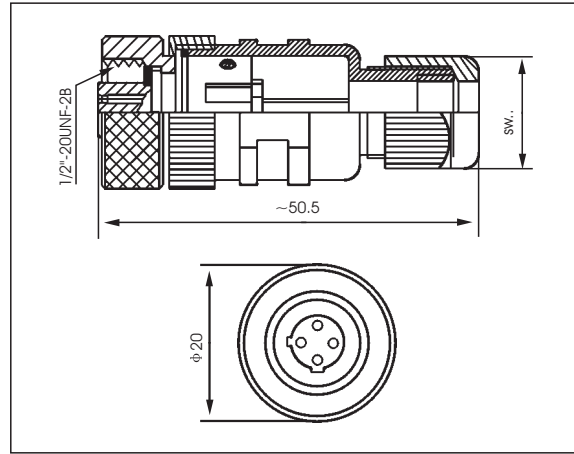
# MICRO-STYLE QUICK DISCONNECT RECEPTACLES

## View



- Micro-style with locknut
- Nylon molded connector shell
- Convenient screw terminations

## Dimensional data



## Technical Data

Application Class: HNA acc. to DIN 40040  
(-40 °C / +90 °C / ≤ 100%rF)

Moulded Body: PA, self-extinguishing

Nominal Power: 4A

Nominal Voltage: 250VAC

O-ring: NBR

Contact: CuZn, 2-4um CuSnZn (OPTALLOY)

Body: PA, self-extinguishing

Locknut: Nickel plated brass

Mode of Connection: Screw clamps

Protection: IP 67

Test Voltage: 1.25 KV eff./60s.

Insulation Resistance: > 10<sup>9</sup> Ω

## Catalog Number

Part-No	Poles	Face View female	Max. Wire section	Screw Joint for cable	SW..
U-FS3KA/PG7	3		max. 0.75 mm <sup>2</sup>	PG 7 φ4.0 - 6.0 mm	15
U-FS3KA/PG9				PG 9 φ6.0 - 8.0 mm	19
U-FS4KA/PG7	4		max. 0.75 mm <sup>2</sup>	PG 7 φ4.0 - 6.0 mm	15
U-FS4KA/PG9				PG 9 φ6.0 - 8.0 mm	19

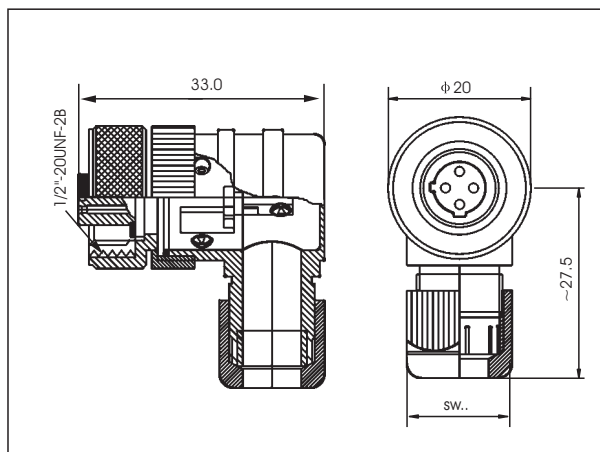
# MICRO-STYLE QUICK DISCONNECT RECEPTACLES

## View



- Female micro-style with locknut
- Right-angle style
- Nylon molded connector shell
- Convenient screw terminations

## Dimensional data



## Technical Data

Application Class: HNA acc. to DIN 40040  
(-40 °C / +90 °C ≤ 100%rF)

Moulded Body: PA, self-extinguishing

Nominal Power: 4A

Nominal Voltage: 250VAC

O-ring: NBR

Contact: CuZn, 2-4µm CuSnZn (OPTALLOY)

Body: PA, self-extinguishing

Locknut: Nickel plated brass

Mode of Connection: Screw clamps

Protection: IP 67

Test Voltage: 1.25 KV eff./60s.

Insulation Resistance: > 10<sup>9</sup>Ω

## Catalog Number

Part-No	Poles	Face View female	Max. Wire section	Screw Joint for cable	SW..
U-FA3KA/PG7	3		Max 0.75 mm <sup>2</sup>	PG7 φ 4.0-6.0mm	15
U-FA3KA/PG9				PG9 φ 6.0-8.0mm	19
U-FA4KA/PG7	4		Max 0.75 mm <sup>2</sup>	PG7 φ 4.0-6.0mm	15
U-FA4KA/PG9				PG9 φ 6.0-8.0mm	19

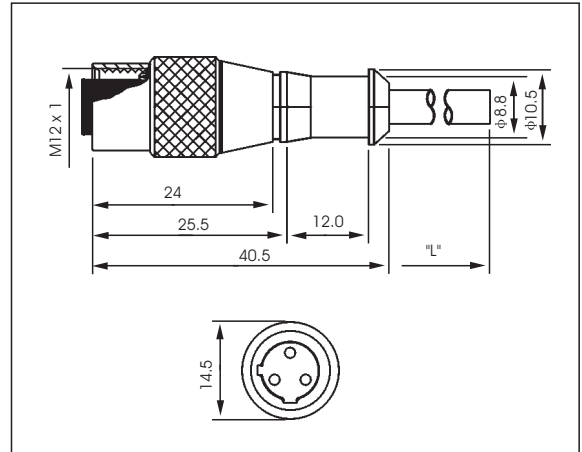
# MICRO-STYLE QUICK DISCONNECT CABLES

## View



- Female Micro-style
- Screw locking with(auto)securing safety nut
- locking nut with thread M12x1
- With moulded cable
- Pvc offers good resistance to oils and chemicals

## Dimensional data



## Technical Data

Application Class: HNA acc. to DIN 40040  
(-25 °C / +90 °C / ≤ 100%rF)

Moulded Body: TPU, self-extinguishing

Nominal Power: 4A

Nominal Voltage: 300VAC

O-ring: Viton

Contact: CuZn, brass, pre-nickelated, tin-plated and 0.3 microns gold-plated

Body: TPU, self-extinguishing

Securing Safety nut: Nickel plated brass

Protection: IP 68

Contact Resistance: ≤ 5m Ω

Test Voltage: 2.0 KV eff./60s.

Insulation Resistance: > 10<sup>9</sup> Ω

CSA certified: 219967

## Catalog Number

Part-No	Poles	Face View female	Color Code	Conductors		Outer Jacket	
				Guage	Stranding	φ mm	Material
U-FS3TAV262/M12	3		1=green 2=red/black 3=red/white	0.34mm <sup>2</sup>	42xφ0.10	5.0	PVC

Standard Length: 2.0 m, 5.0 m, 7.5 m, 10.0 m. Other cable length or cable specifications on request.

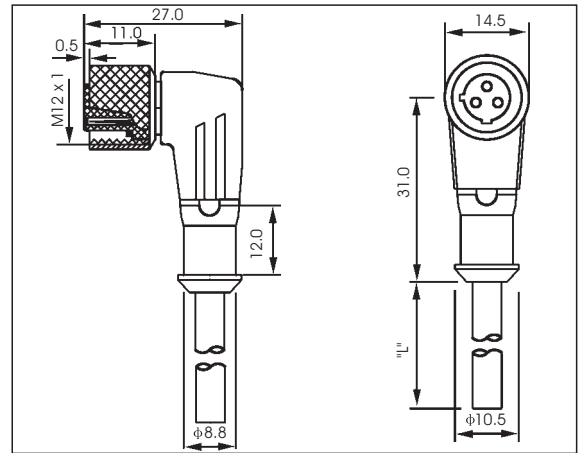
# MICRO-STYLE QUICK DISCONNECT CABLES

## View



- Female Micro-style
- Right-angle style
- Screw locking with (auto) securing safety nut
- Locking nut with thread M12X1
- with moulded cable

## Dimensional data



## Technical Data

Application Class: HNA acc. to DIN 40040  
 (-25 °C / +90 °C / ≤ 100%rF)

Moulded Body: TPU, self-extinguishing

Nominal Power: 4A

Nominal Voltage: 300VAC

O-ring: Viton

Contact: CuZn, brass, pre-nickeled, tin-plated  
 and 0.3 microns gold-plated

Body: TPU, self-extinguishing

Securing Safety nut: Nickel plated brass

Protection: IP 68

Contact Resistance: ≤ 5m Ω

Test Voltage: 2.0 KV eff./60s.

Insulation Resistance: > 10<sup>9</sup>Ω

CSA certified: 219967

## Catalog Number

Part-No	Poles	Face View female	Color Code	Conductors		Outer Jacket	
				Guage	Stranding	φ mm	Material
U-FA3TAV262/M12	3		1 = yellow/green 2 = black 3 = blue	0.34mm <sup>2</sup>	42xφ 0.10	5.0	PVC

Standard length: 2.0 m, 5.0 m, 7.5 m, 10.0 m. Other cable length or cable specifications on request.

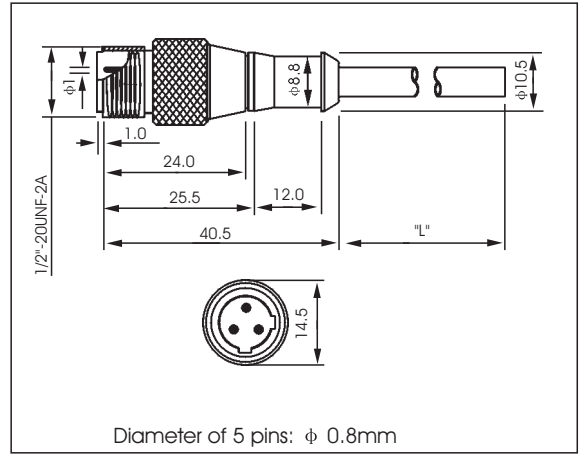
# MICRO-STYLE QUICK DISCONNECT CABLES

## View



- Micro-style
- Screw locking with (auto) securing safety nut
- PVC offers good resistance to oils and chemicals

## Dimensional data



## Technical Data

Application Class: HNA acc. to DIN 40040  
(-25 °C / +90 °C / ≤ 100%rF)

Moulded Body: TPU, self-extinguishing

Nominal Power: 4A

Nominal Voltage: 300VAC

Contact: CuZn, brass, pre-nickel and  
0.8 microns gold-plated

Body: TPU, self-extinguishing

Securing Safety Nut: Nickel plated brass

Protection: IP 68

Test Voltage: 2.0 KV eff./60s.

Insulation Resistance: > 10<sup>9</sup>Ω

CSA certified: 219967

## Catalog Number

Part-No	Poles	Face View male	Color Code	Conductors		Outer Jacket	
				Guage	Stranding	φ mm	Material
U-MS3TAV152	3		1=green 2=red/black 3=red/white	0.25mm <sup>2</sup>	26 x φ 0.13	5.0	PVC
U-MS4TAV162	4		1=red/black 2=red/white 3=red 4=green	0.25mm <sup>2</sup>	26 x φ 0.13	5.0	PVC
U-MS5TAV182	5		1=red/white 2=red 3=green 4=red/yellow 5=red/black	0.34mm <sup>2</sup>	26 x φ 0.13	5.2	PVC
U-MS6TAV192	6		1=red/white 2=red 3=green 4=red/yellow 5=red/black 6=red/blue	0.25mm <sup>2</sup>	26 x φ 0.13	6.3	PVC

Standard length: 2.0 m, 5.0 m, 7.5 m, 10.0 m. Other cable length or cable specifications on request.



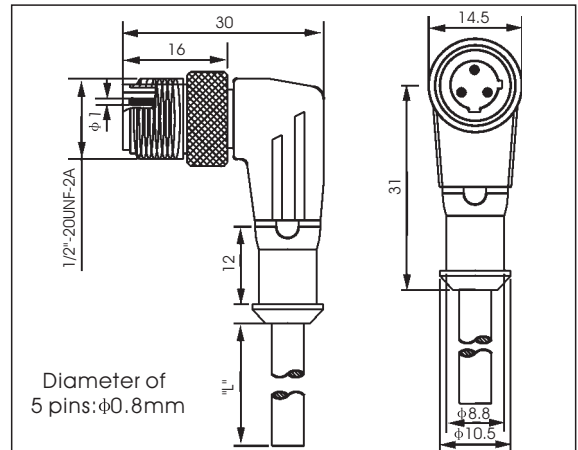
# MICRO-STYLE QUICK DISCONNECT CABLES

## View



- Micro-style
- Right-angle style
- screw locking with(auto) securing safety nut
- With moulded cable
- Pvc offers good resistance to oils and chemicals

## Dimensional data



## Technical Data

Application Class: HNA acc. to DIN 40040  
(-25 °C / +90 °C / ≤ 100%rF)

Moulded Body: TPU, self-extinguishing

Nominal Power: 4A

Nominal Voltage: 300VAC

Contact: CuZn, brass, pre-nickel and 0.8 microns gold-plated

Body: TPU, self-extinguishing

Securing Safety nut: Nickel plated brass


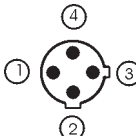

Protection: IP 68

Test Voltage: 2.0 KV eff./60s.

Insulation Resistance: > 10<sup>9</sup>Ω

CSA certified: 219967

## Catalog Number

Part-No	Poles	Face View male	Color Code	Conductors		Outer Jacket	
				Guage	Stranding	φ mm	Material
U-MA3TAV152	3		1=green 2=red/black 3=red/white	0.25mm <sup>2</sup>	26 x φ 0.13	5.0	PVC
U-MA4TAV162	4		1=red/black 2=red/white 3=red 4=green	0.25mm <sup>2</sup>	26 x φ 0.13	5.0	PVC
U-MA5TAV182	5		1=red/white 2=red 3=green 4=red/yellow 5=red/black	0.34mm <sup>2</sup>	26 x φ 0.13	5.2	PVC

Standard length: 2.0 m, 5.0 m, 7.5 m, 10.0 m. Other cable length or cable specifications on request.

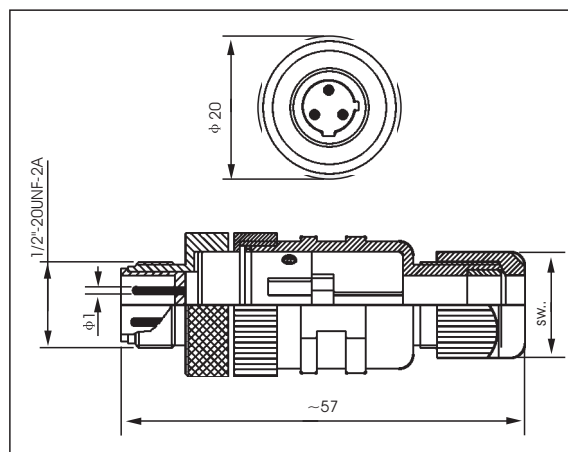
# MICRO-STYLE QUICK DISCONNECT RECEPTACLES

## View



- Micro-style
- Nylon molded connector shell
- Convenient screw terminations

## Dimensional data



## Technical Data

Application class: HNA acc. to DIN 40040  
(-25 °C / +90 °C / ≤ 100%rF)

Moulded Body: TPU, self-extinguishing

Nominal Power: 4A

Nominal Voltage: 250VAC

O-ring: NBR

Contact: CuZn, 2-4um CuSnZn

Body: TPU, self-extinguishing

Locknut: Nickel plated brass

Mode of Connection: Screw clamps

Protection: IP 67

Test Voltage: 1.25 KV eff./60s.

Insulation Resistance: > 10<sup>9</sup>Ω

## Catalog Number

Part-No	Poles	Face View male	Max. Wire section	Screw Joint for cable	SW..
U-MS3KA/PG7	3	contact 1 leading 	max. 0.75 mm <sup>2</sup>	PG7 φ4.0 - 6.0mm	15
U-MS3KA/PG9				PG9 φ6.0 - 8.0mm	19
U-MS4KA/PG7	4		max. 0.75 mm <sup>2</sup>	PG7 φ4.0 - 6.0mm	15
U-MS4KA/PG9				PG9 φ6.0 - 8.0mm	19

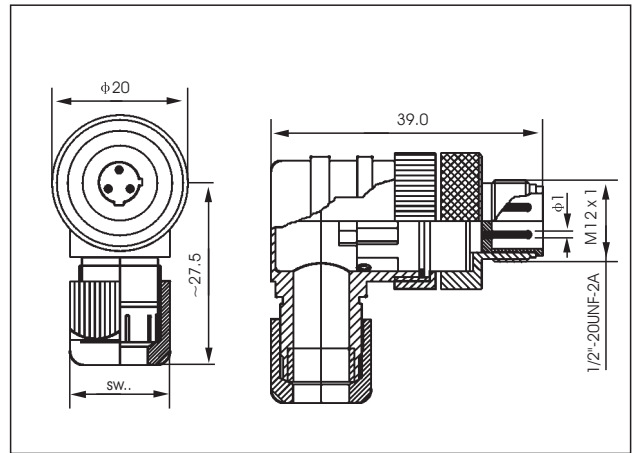
# MICRO-STYLE QUICK DISCONNECT RECEPTACLES

## View



- Micro-style with locknut, right-angle style.
- Convenient screw terminations
- Nylon molded connector shell

## Dimensional data



## Technical Data

Application Class: HNA acc. to DIN 40040  
(-25 °C / +90 °C / ≤ 100%rF)

Moulded Body: PA, self-extinguishing

Nominal Power: 4A

Nominal Voltage: 250VAC

O-ring: NBR

Contact: CuZn, 2-4um CuSnZn

Body: PA, self-extinguishing

Locknut: Nickel plated brass

Mode of Connection: Screw clamps

Protection: IP 67

Test Voltage: 1.25 KV eff./60s.

Insulation Resistance: > 10<sup>9</sup>Ω

## Catalog Number

Part-No	Poles	Face View male	Max. Wire section	Screw Joint for cable	SW..
U-MA3KA/PG7	3	contact 1 leading 	Max. 0.75 mm <sup>2</sup>	PG7 φ4.0 - 6.0 mm	15
U-MA3KA/PG9				PG9 φ6.0 - 8.0 mm	19
U-MA4KA/PG7	4		Max. 0.75 mm <sup>2</sup>	PG7 φ4.0 - 6.0 mm	15
U-MA4KA/PG9				PG9 φ6.0 - 8.0 mm	19

Standard length: 2.0 m, 5.0 m, 7.5 m, 10.0 m. Other cable length or cable specifications on request .

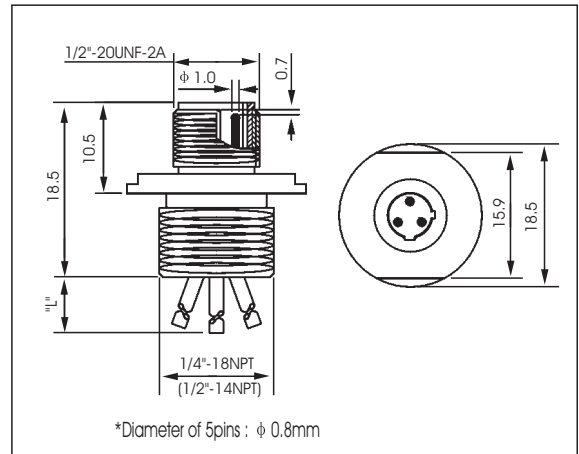
# MICRO-STYLE QUICK DISCONNECT CABLES

## View



- Micro-style receptacle
- Front mounting
- With wire ends
- Thread receptacle side 1/4"-18NPT or 1/2"-14NPT

## Dimensional data



## Technical Data

Application Class: HNA acc. to DIN 40040  
 (-25 °C / +90 °C / ≤ 100%rF)

Moulded Body: TPU, self-extinguishing

Nominal Power: 4A

Nominal Voltage: 300V AC

Contact: CuZn, brass ,pre-nickeled and  
 0.8 microns gold-plated

Body: TPU, self-extinguishing

Receptacle Housing: Nickel plated brass

O-Ring: Viton

Protection: IP 68

Test Voltage: 2.0 KV eff./60s.

Insulation Resistance: > 10<sup>9</sup> Ω

CSA certified: 219967

## Catalog Number

Part-No	Poles	Face View male	Color Code	Conductors		Conductor insulation φ mm(single)
				Guage	Stranding	
U-MS3FA/0.5/ 1/4"-18NPT	3	contact 1 leading 	1=green 2=red/black 3=red/white	0.34mm <sup>2</sup>	42x φ 0.10	1.6
U-MS3FA/0.5/ 1/2"-14NPT						
U-MS4FA/0.5/ 1/4"-18NPT	4	contact 4 leading 	1=red/black 2=red/white 3=red 4=green	0.34mm <sup>2</sup>	42x φ 0.10	1.6
U-MS4FA/0.5/ 1/2"-14NPT						
U-MS5FA/0.5/ 1/4"-18NPT	5	contact 3 leading 	1=red/white 2=red 3=green 4=red/yellow 5=red/black	0.34mm <sup>2</sup>	42x φ 0.10	1.6
U-MS5FA/0.5/ 1/2"-14NPT						

Standard length: 0.5m, 2.0 m. Other cable length or cable specifications on request.

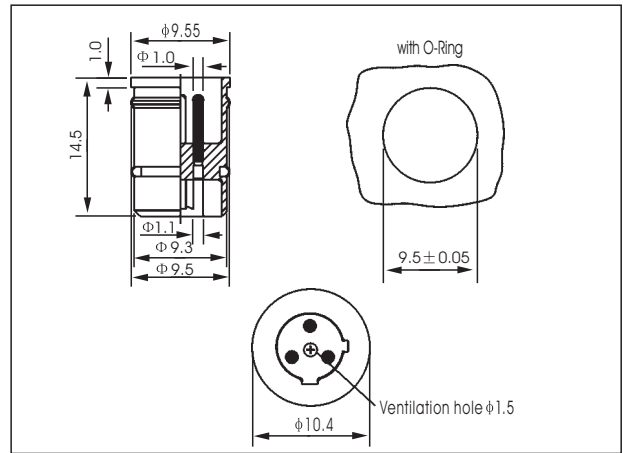
# MICRO-STYLE QUICK DISCONNECT RECEPTACLES

## View



- Micro-style insert for proximity switch M12, -Type UL (with ventilation hole) -
- Max.wire section:  
Single conductor 0.75 mm<sup>2</sup> (AWG 18),stranded wire 0.50 mm<sup>2</sup> (AWG 20)

## Dimensional data



## Technical Data

Application class: HNA acc. to DIN 40040  
(-25 °C / +90 °C / ≤ 100%rF)

Moulded body: PA, self-extinguishing

Nominal power: 4A

Nominal voltage: 300VAC

Contact: CuZn,brass ,pre-nickel and 0.8 microns gold-plated

O-Ring: Viton

Protection: IP 68

Test voltage: 3+4poles 2.0 KV eff./60s.  
5poles 2.0 KV eff./60s.

Insulation resistance: >10<sup>9</sup>Ω

CSA certified: 219967

## Catalog Number

Part-No	Poles	Face View male	Shaft- $\phi$ mm	Ventilation Hole $\phi$ mm
U-MS3	3	contact 1 leading 	9.55 mm/9.4mm	—
U-MS3/UL	3	contact 1 leading 	9.55 mm/9.4mm	1.5mm
U-MS4	4	contact 4 leading 	9.55 mm/9.4mm	—
U-MS5	5	contact 3 leading 	9.55 mm/9.4mm	—

Standard length: 2.0 m, 5.0 m, 7.5 m, 10.0 m. Other cable length or cable specifications on request.

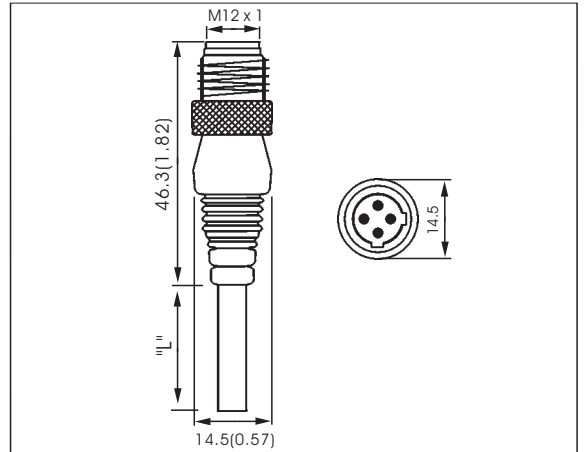
# MICRO-STYLE QUICK DISCONNECT CABLES

## View



- Micro-style
- Screw locking with (auto) securing Safety nut
- With moulded Cable

## Dimensional data



## Technical Data

Application Class: HNA acc. to DIN 40040  
(-25°C / +90 °C / ≤ 100%rF)

Moulded Body: PVC, self-extinguishing

Nominal Power: 4A

Nominal Voltage: 300VAC

Contact: CuZn, brass, pre-nickeled and  
0.8 microns gold-plated

Body: PVC, self-extinguishing

Securing Safety Nut: Nickel plated brass

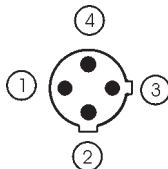
Protection: IP 68

Test Voltage: 2.0 KV eff./60s.

Insulation Resistance: > 10<sup>9</sup>Ω

CSA certified: 219967

## Catalog Number

Part-No	Poles	Face View male	Color Code	Conductors		Outer Jacket	
				Guage	Stranding	φ mm	Material
U-MS4/3TAV722/M12	4		1=red/black 2=red/white 3=red	0.34mm <sup>2</sup>	7 x φ0.25	6.2	PVC

Standard length: 2.0 m and 5.0 m. Other cable length or cable specifications on request.