

## PART W-01 ~ W-14

Diameter

● Shielded    ○ non-Shielded

Switching Distance Sn mm

Housing Material

● With LED    ○ Without LED

Dimensions (unit: mm)

Operating Voltage

Ripple

No Load Current

Max. Load Current

Leakge Current

Surge Current

Min. Load Current

Voltage Drop

Switching Frequency

Response Time

Switching Hysteresis

Repeat Accuracy

Protection Category

Operating Temperature

Temperature Drift

Short Circuit Protection

Overload Trip Point

Time Delay Before Availability

EMC

Shock / Vibration

Material Active Face

DC 3 wire 10-30V NPN N.O.

DC 3 wire 10-30V NPN N.C.

DC 3 wire 10-30V PNP N.O.

DC 3 wire 10-30V PNP N.C.

DC 4 wire 10-30V Changeover PNP (N.O. & N.C.)

DC 4 wire 10-30V Changeover NPN (N.O. & N.C.)

DC 2 wire 10-60V N.O.

DC 2 wire 10-60V N.C.

DC 3 wire 10-55v NPN N.O. or NAMUR

DC 3 wire 10-55v NPN N.C.

DC 3 wire 10-55v PNP N.O.

DC 3 wire 10-55v PNP N.C.

DC 5-36V or AC 2 wire 20-250V N.O.

DC 5-36V or AC 2 wire 20-250V N.C.

DC 5-36V or AC 2 wire 20-250V N.O. or N.C. Changeable

DC 5-36V or AC/DC 2 wire 20-250V N.O.

DC 5-36V or AC/DC 2 wire 20-250V N.C.

DC 5-36V or AC/DC 2 wire 20-250V N.O. or N.C. Changeable

Remark

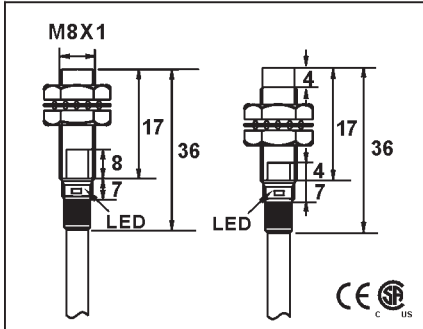
Cable 2M (PVC)

Weight

Please put each catalog page in the blank. The specification on the left will help your reading.

**DC HIGH TORQUE, SHORTER BODY, LONG SENSING INDUCTIVE PROXIMITY SWITCH**

M 8	
●	○
2mm	4mm
stainless steel or nickel plated brass	
●	

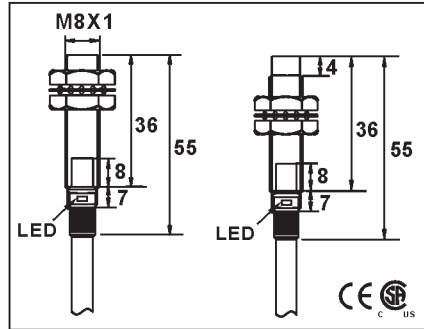


10-30VDC or 5-36VDC
<10%
<10mA
200mA
<0.01mA
-
-
<1.5V(10-30V) or <1.0V(5-36V)
2KHZ
0.1ms/0.1ms
<15%(Sr)
<1.0%(Sr)
IP67
-25 °C - +70 °C
<10%(Sr)
YES
220mA
<10ms
RFI>3V/m / EFT>1KV / ESD>4KV (contact)
IEC 60947-5-2, Part 7.4.1 / IEC 60947-5-2, Part 7.4.2
POM

FCN1-0802N-A3S2	1	FCN2-0804N-A3S2
FCN1-0802N-B3S2	2	FCN2-0804N-B3S2
FCN1-0802P-A3S2	3	FCN2-0804P-A3S2
FCN1-0802P-B3S2	4	FCN2-0804P-B3S2
ICN1-0802N-A3S2	1	ICN2-0804N-A3S2
ICN1-0802N-B3S2	2	ICN2-0804N-B3S2
ICN1-0802P-A3S2	3	ICN2-0804P-A3S2
ICN1-0802P-B3S2	4	ICN2-0804P-B3S2

3 ø 3x0.15	
approx.35 g	

M 8	
●	○
2mm	4mm
stainless steel or nickel plated brass	
●	

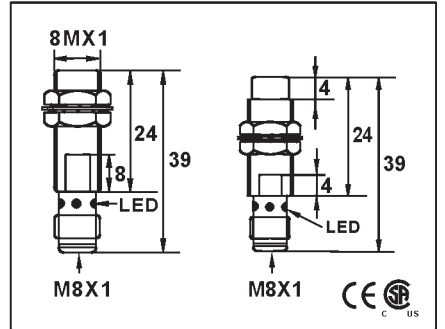


10-30VDC or 5-36VDC
<10%
<10mA
200mA
<0.01mA
-
-
<1.5V(10-30V) or <1.0V(5-36V)
2KHZ
0.1ms/0.1ms
<15%(Sr)
<1.0%(Sr)
IP67
-25 °C - +70 °C
<10%(Sr)
YES
220mA
<10ms
RFI>3V/m / EFT>1KV / ESD>4KV (contact)
IEC 60947-5-2, Part 7.4.1 / IEC 60947-5-2, Part 7.4.2
POM

FCN1-0802N-A3U2	1	FCN2-0804N-A3U2
FCN1-0802N-B3U2	2	FCN2-0804N-B3U2
FCN1-0802P-A3U2	3	FCN2-0804P-A3U2
FCN1-0802P-B3U2	4	FCN2-0804P-B3U2
FCN1-0802C-A2U2	7	FCN2-0804C-A2U2
FCN1-0802C-B2U2	7	FCN2-0804C-B2U2
ICN1-0802N-A3U2	1	ICN2-0804N-A3U2
ICN1-0802N-B3U2	2	ICN2-0804N-B3U2
ICN1-0802P-A3U2	3	ICN2-0804P-A3U2
ICN1-0802P-B3U2	4	ICN2-0804P-B3U2
ICN1-0802P-S4U2	6	ICN2-0804P-S4U2
ICN1-0802N-S4U2	5	ICN2-0804N-S4U2

3 ø 3x0.15	
approx.40 g	

M 8	
●	○
2mm	4mm
stainless steel or nickel plated brass	
●	





10-30VDC or 5-36VDC
<10%
<10mA
200mA
<0.01mA
-
-
<1.5V(10-30V) or <1.0V(5-36V)
2KHZ
0.1ms/0.1ms
<15%(Sr)
<1.0%(Sr)
IP67
-25 °C - +70 °C
<10%(Sr)
YES
220mA
<10ms
RFI>3V/m / EFT>1KV / ESD>4KV (contact)
IEC 60947-5-2, Part 7.4.1 / IEC 60947-5-2, Part 7.4.2
POM

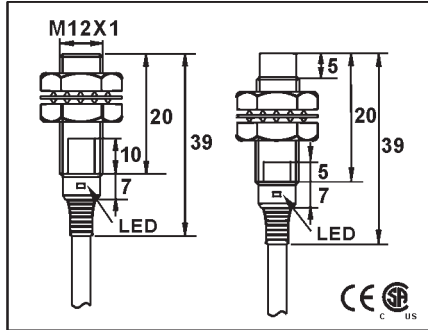
FCN1-0802N-ACS3		FCN2-0804N-ACS3
FCN1-0802N-BCS3		FCN2-0804N-BCS3
FCN1-0802P-ACS3		FCN2-0804P-ACS3
FCN1-0802P-BCS3		FCN2-0804P-BCS3
ICN1-0802N-ACS3	25	ICN2-0804N-ACS3
ICN1-0802N-BCS3	25	ICN2-0804N-BCS3
ICN1-0802P-ACS3	26	ICN2-0804P-ACS3
ICN1-0802P-BCS3	26	ICN2-0804P-BCS3



approx.12 g	
-------------	--

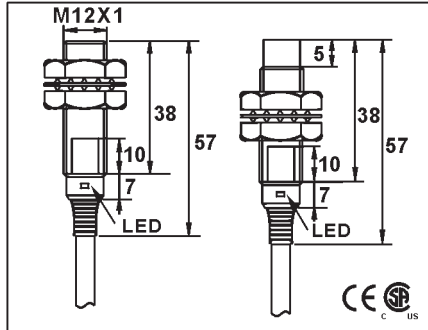




DC HIGH TORQUE, SHORTER BODY, LONG SENSING INDUCTIVE PROXIMITY SWITCH

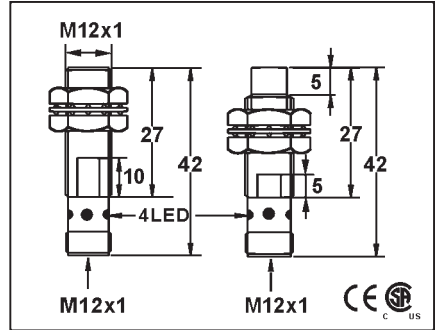
M 12	
	
4 mm	8 mm
stainless steel or nickel plated brass	



M 12	
	
4 mm	8 mm
stainless steel or nickel plated brass	



M 12	
	
4 mm	8 mm
stainless steel or nickel plated brass	



10-30VDC or 5-36VDC	
<10%	
<10mA	
200mA	
<0.01mA	
-	
-	
<1.5V(10-30V) or <1.0V(5-36V)	
2KHZ	
0.1ms/0.1ms	
<15%(Sr)	
<1.0%(Sr)	
IP67	
-25 °C - +70 °C	
<10%(Sr)	
YES	
220mA	
<10ms	
RFI>3V/m / EFT>1KV / ESD>4KV (contact)	
IEC 60947-5-2, Part 7.4.1 / IEC 60947-5-2, Part 7.4.2	
POM	PBT

10-30VDC or 5-36VDC or 10-55VDC	
<10%	
<10mA	<20mA
200mA	
<0.01mA	
-	
-	
<1.5V or <1.0V or <2.0V	
2KHZ	1KHZ
0.1ms/0.1ms	0.2ms/0.2ms
<15%(Sr)	
<1.0%(Sr)	
IP67	
-25 °C - +70 °C	
<10%(Sr)	
YES	
220mA	
<10ms	
RFI>3V/m / EFT>1KV / ESD>4KV (contact)	
IEC 60947-5-2, Part 7.4.1 / IEC 60947-5-2, Part 7.4.2	
POM	PBT

10-30VDC or 5-36VDC	
<10%	
<10mA	
200mA	
<0.01mA	
-	
-	
<1.5V(10-30V) or <1.0V(5-36V)	
2KHZ	
0.1ms/0.1ms	
<15%(Sr)	
<1.0%(Sr)	
IP67	
-25 °C - +70 °C	
<10%(Sr)	
YES	
220mA	
<10ms	
RFI>3V/m / EFT>1KV / ESD>4KV (contact)	
IEC 60947-5-2, Part 7.4.1 / IEC 60947-5-2, Part 7.4.2	
POM	PBT

FCN1-1204N-A3S2	1	FCN2-1208N-A3S2
FCN1-1204N-B3S2	2	FCN2-1208N-B3S2
FCN1-1204P-A3S2	3	FCN2-1208P-A3S2
FCN1-1204P-B3S2	4	FCN2-1208P-B3S2
ICN1-1204N-A3S2		ICN2-1208N-A3S2
ICN1-1204N-B3S2		ICN2-1208N-B3S2
ICN1-1204P-A3S2	3	ICN2-1208P-A3S2
ICN1-1204P-B3S2	4	ICN2-1208P-B3S2
ICN1-1204P-S4S2	6	ICN2-1208P-S4S2
ICN1-1204N-S4S2	5	ICN2-1208N-S4S2

FCN1-1204N-A3U2	1	FCN2-1208N-A3U2
FCN1-1204N-B3U2	2	FCN2-1208N-B3U2
FCN1-1204P-A3U2	3	FCN2-1208P-A3U2
FCN1-1204P-B3U2	4	FCN2-1208P-B3U2
FCN1-1204P-S4U2	6	FCN2-1208P-S4U2
FCN1-1204N-S4U2	5	FCN2-1208N-S4U2
FCN1-1204C-A2U2	7	FCN2-1208C-A2U2
FCN1-1204C-B2U2	7	FCN2-1208C-B2U2
HCN1-1204N-A3U2	1	HCN2-1208N-A3U2
HCN1-1204N-B3U2	2	HCN2-1208N-B3U2
HCN1-1204P-A3U2	3	HCN2-1208P-A3U2
HCN1-1204P-B3U2	4	HCN2-1208P-B3U2
ICN1-1204N-A3U2	1	ICN2-1208N-A3U2
ICN1-1204N-B3U2	2	ICN2-1208N-B3U2
ICN1-1204P-A3U2	3	ICN2-1208P-A3U2
ICN1-1204P-B3U2	4	ICN2-1208P-B3U2
ICN1-1204P-S4U2	6	ICN2-1208P-S4U2
ICN1-1204N-S4U2	5	ICN2-1208N-S4U2

FCN1-1204N-ARS4	29	FCN2-1208N-ARS4
FCN1-1204N-BRS4	30	FCN2-1208N-BRS4
FCN1-1204P-ARS4	31	FCN2-1208P-ARS4
FCN1-1204P-BRS4	32	FCN2-1208P-BRS4
ICN1-1204N-ARS4	29	ICN2-1208N-ARS4
ICN1-1204N-BRS4	30	ICN2-1208N-BRS4
ICN1-1204P-ARS4	31	ICN2-1208P-ARS4
ICN1-1204P-BRS4	32	ICN2-1208P-BRS4
ICN1-1204P-SRS4	34	ICN2-1208P-SRS4
ICN1-1204N-SRS4	33	ICN2-1208N-SRS4

Hxxx-xxxx-xxxx.  
 └─ DC 10-55V type no load current  
 < 20mA. Following page is same.

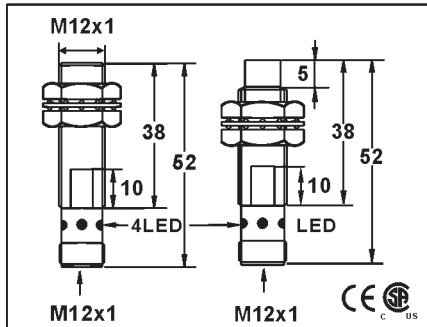
4 φ 3x0.15	
approx.62 g	approx.60 g

4 φ 3x0.15	
approx.67 g	approx.65 g

4 φ 3x0.15	
approx.25 g	approx.23 g

## DC HIGH TORQUE, SHORTER BODY, LONG SENSING INDUCTIVE PROXIMITY SWITCH

M 12	
●	○
4 mm	8 mm
stainless steel or nickel plated brass	
●	

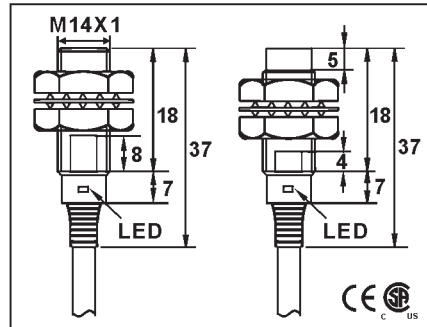


10-30VDC or 5-36VDC or 10-55VDC	
<10%	
<10mA	<20mA
200mA	
<0.01mA	
-	
<1.5V or <1.0V or <2.0V	
2KHZ	1KHZ
0.1ms/0.1ms	0.2ms/0.2ms
<15%(Sr)	
<1.0%(Sr)	
IP67	
-25 °C - +70 °C	
<10%(Sr)	
YES	
220mA	
<10ms	
RFI>3V/m / EFT>1KV / ESD>4KV (contact)	
IEC 60947-5-2,Part 7.4.1 / IEC 60947-5-2,Part 7.4.2	
POM	PBT

FCN1-1204N-ARU4	29	FCN2-1208N-ARU4
FCN1-1204N-BRU4	30	FCN2-1208N-BRU4
FCN1-1204P-ARU4	31	FCN2-1208P-ARU4
FCN1-1204P-BRU4	32	FCN2-1208P-BRU4
FCN1-1204P-SRU4	34	FCN2-1208P-SRU4
FCN1-1204N-SRU4	33	FCN2-1208N-SRU4
FCN1-1204C-ARU4	36	FCN2-1208C-ARU4
FCN1-1204C-BRU4	74	FCN2-1208C-BRU4
HCN1-1204N-ARU4	29	HCN2-1208N-ARU4
HCN1-1204N-BRU4	30	HCN2-1208N-BRU4
HCN1-1204P-ARU4	31	HCN2-1208P-ARU4
HCN1-1204P-BRU4	32	HCN2-1208P-BRU4
ICN1-1204N-ARU4	29	ICN2-1208N-ARU4
ICN1-1204N-BRU4	30	ICN2-1208N-BRU4
ICN1-1204P-ARU4	31	ICN2-1208P-ARU4
ICN1-1204P-BRU4	32	ICN2-1208P-BRU4
ICN1-1204P-SRU4	34	ICN2-1208P-SRU4
ICN1-1204N-SRU4	33	ICN2-1208N-SRU4

approx.25 g		approx.23 g	
-------------	--	-------------	--

M 14	
●	○
6 mm	12 mm
stainless steel or nickel plated brass	
●	

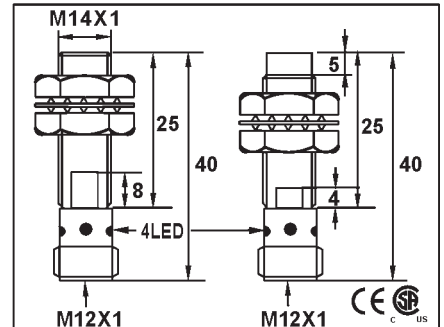


10-30VDC or 5-36VDC	
<10%	
<10mA	<20mA
200mA	
<0.01mA	
-	
<1.5V(10-30V) or <1.0V(5-36V)	
2KHZ	1KHZ
0.1ms/0.1ms	0.2ms/0.2ms
<15%(Sr)	
<1.0%(Sr)	
IP67	
-25 °C - +70 °C	
<10%(Sr)	
YES	
220mA	
<10ms	
RFI>3V/m / EFT>1KV / ESD>4KV (contact)	
IEC 60947-5-2,Part 7.4.1 / IEC 60947-5-2,Part 7.4.2	
PBT	

FCN1-1406N-A3S2	29	FCN2-1412N-A3S2
FCN1-1406N-B3S2	30	FCN2-1412N-B3S2
FCN1-1406P-A3S2	31	FCN2-1412P-A3S2
FCN1-1406P-B3S2	32	FCN2-1412P-B3S2
ICN1-1406N-A3S2	29	ICN2-1412N-A3S2
ICN1-1406N-B3S2	30	ICN2-1412N-B3S2
ICN1-1406P-A3S2	31	ICN2-1412P-A3S2
ICN1-1406P-B3S2	32	ICN2-1412P-B3S2
ICN1-1406P-S4S2	34	ICN2-1412P-S4S2
ICN1-1406N-S4S2	33	ICN2-1412N-S4S2

approx.65 g		approx.63 g	
-------------	--	-------------	--

M 14	
●	○
6 mm	12 mm
stainless steel or nickel plated brass	
●	



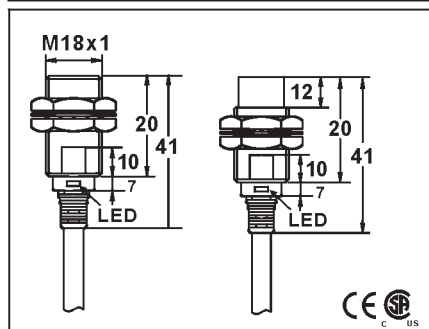
10-30VDC or 5-36VDC	
<10%	
<10mA	<20mA
200mA	
<0.01mA	
-	
<1.5V(10-30V) or <1.0V(5-36V)	
2KHZ	1KHZ
0.1ms/0.1ms	0.2ms/0.2ms
<15%(Sr)	
<1.0%(Sr)	
IP67	
-25 °C - +70 °C	
<10%(Sr)	
YES	
220mA	
<10ms	
RFI>3V/m / EFT>1KV / ESD>4KV (contact)	
IEC 60947-5-2,Part 7.4.1 / IEC 60947-5-2,Part 7.4.2	
PBT	

FCN1-1406N-ARU4	29	FCN2-1412N-ARU4
FCN1-1406N-BRU4	30	FCN2-1412N-BRU4
FCN1-1406P-ARU4	31	FCN2-1412P-ARU4
FCN1-1406P-BRU4	32	FCN2-1412P-BRU4
ICN1-1406N-ARU4	29	ICN2-1412N-ARU4
ICN1-1406N-BRU4	30	ICN2-1412N-BRU4
ICN1-1406P-ARU4	31	ICN2-1412P-ARU4
ICN1-1406P-BRU4	32	ICN2-1412P-BRU4
ICN1-1406P-SRU4	34	ICN2-1412P-SRU4
ICN1-1406N-SRU4	33	ICN2-1412N-SRU4

approx.31 g		approx.30 g	
-------------	--	-------------	--

## DC HIGH TORQUE, SHORTER BODY, LONG SENSING INDUCTIVE PROXIMITY SWITCH

M 18	
●	○
8 mm	16 mm
stainless steel or nickel plated brass	



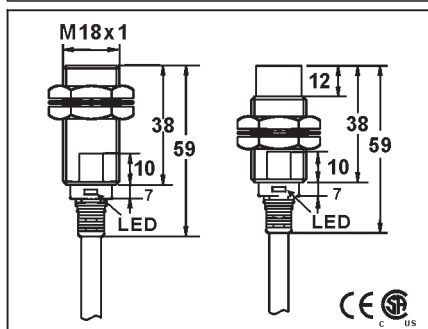
10-30VDC or 5-36VDC	
<10%	
<10mA	
200mA	
<0.01mA	
-	
-	
<1.5V or <1.0V	
1KHZ	500HZ
0.2ms/0.2ms	0.5ms/0.5ms
<15%(Sr)	
<1.0%(Sr)	
IP67	
-25 °C - +70 °C	
<10%(Sr)	
YES	
220mA	
<10ms	
RFI>3V/m / EFT>1KV / ESD>4KV (contact)	
IEC 60947-5-2,Part 7.4.1 / IEC 60947-5-2,Part 7.4.2	
POM	PBT

FCN1-1808N-A3S2	1	FCN2-1816N-A3S2
FCN1-1808N-B3S2	2	FCN2-1816N-B3S2
FCN1-1808P-A3S2	3	FCN2-1816P-A3S2
FCN1-1808P-B3S2	4	FCN2-1816P-B3S2
ICN1-1808N-A3S2	1	ICN2-1816N-A3S2
ICN1-1808N-B3S2	2	ICN2-1816N-B3S2
ICN1-1808P-A3S2	3	ICN2-1816P-A3S2
ICN1-1808P-B3S2	4	ICN2-1816P-B3S2
ICN1-1808P-S4S2	6	ICN2-1816P-S4S2
ICN1-1808N-S4S2	5	ICN2-1816N-S4S2

Hxxx-xxxxx-xxxx.  
 ↳ DC 10-55V type no load current  
 < 20mA. Following page is same.

5.0 φ 44x0.1	
approx.110 g	approx.108 g

M18	
●	○
8 mm	16 mm
stainless steel or nickel plated brass	



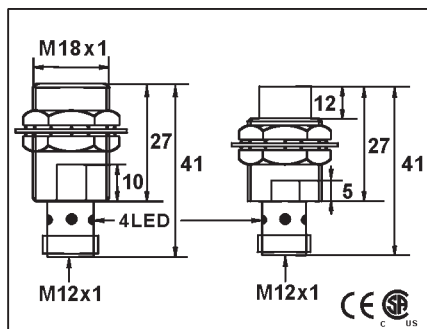
10-30VDC or 5-36VDC or 10-55VDC		
<10%		
<10mA		<20mA
200mA		
<0.01mA		
-		
-		
<1.5V or <1.0V or <2.0V		
1KHZ	500HZ	
0.2ms/0.2ms	0.5ms/0.5ms	
<15%(Sr)		
<1.0%(Sr)		
IP67		
-25 °C - +70 °C		
<10%(Sr)		
YES		
220mA		
<10ms		
RFI>3V/m / EFT>1KV / ESD>4KV (contact)		
IEC 60947-5-2,Part 7.4.1 / IEC 60947-5-2,Part 7.4.2		
POM	PBT	

FCN1-1808N-A3U2	1	FCN2-1816N-A3U2
FCN1-1808N-B3U2	2	FCN2-1816N-B3U2
FCN1-1808P-A3U2	3	FCN2-1816P-A3U2
FCN1-1808P-B3U2	4	FCN2-1816P-B3U2
FCN1-1808P-S4U2	6	FCN2-1816P-S4U2
FCN1-1808N-S4U2	5	FCN2-1816N-S4U2
FCN1-1808C-A2U2	7	FCN2-1816C-A2U2
FCN1-1808C-B2U2	7	FCN2-1816C-B2U2
HCN1-1808N-A3U2	1	HCN2-1816N-A3U2
HCN1-1808N-B3U2	2	HCN2-1816N-B3U2
HCN1-1808P-A3U2	3	HCN2-1816P-A3U2
HCN1-1808P-B3U2	4	HCN2-1816P-B3U2
ICN1-1808N-A3U2	1	ICN2-1816N-A3U2
ICN1-1808N-B3U2	2	ICN2-1816N-B3U2
ICN1-1808P-A3U2	3	ICN2-1816P-A3U2
ICN1-1808P-B3U2	4	ICN2-1816P-B3U2
ICN1-1808P-S4U2	6	ICN2-1816P-S4U2
ICN1-1808N-S4U2	5	ICN2-1816N-S4U2

Hxxx-xxxxx-xxxx.  
 ↳ DC 10-55V type no load current  
 < 20mA. Following page is same.

5.0 φ 44x0.1	
approx.132 g	approx.130 g

M 18	
●	○
8 mm	16 mm
stainless steel or nickel plated brass	



10-30VDC or 5-36VDC		
<10%		
<10mA		
200mA		
<0.01mA		
-		
-		
<1.5V or <1.0V		
2KHZ	1KHZ	
0.1ms/0.1ms	0.2ms/0.2ms	
<15%(Sr)		
<1.0%(Sr)		
IP67		
-25 °C - +70 °C		
<10%(Sr)		
YES		
220mA		
<10ms		
RFI>3V/m / EFT>1KV / ESD>4KV (contact)		
IEC 60947-5-2,Part 7.4.1 / IEC 60947-5-2,Part 7.4.2		
PBT	POM	

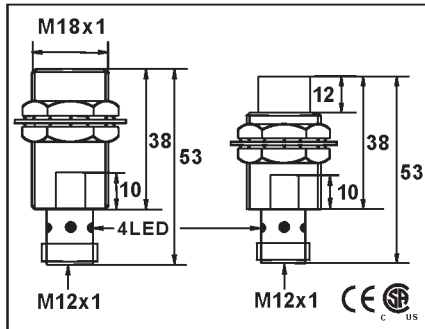
FCN1-1808N-ARS4	29	FCN2-1816N-ARS4
FCN1-1808N-BRS4	30	FCN2-1816N-BRS4
FCN1-1808P-ARS4	31	FCN2-1816P-ARS4
FCN1-1808P-BRS4	32	FCN2-1816P-BRS4
ICN1-1808N-ARS4	29	ICN2-1816N-ARS4
ICN1-1808N-BRS4	30	ICN2-1816N-BRS4
ICN1-1808P-ARS4	31	ICN2-1816P-ARS4
ICN1-1808P-BRS4	32	ICN2-1816P-BRS4
ICN1-1808P-SRS4	34	ICN2-1816P-SRS4
ICN1-1808N-SRS4	33	ICN2-1816N-SRS4

Hxxx-xxxxx-xxxx.  
 ↳ DC 10-55V type no load current  
 < 20mA. Following page is same.

5.0 φ 44x0.1	
approx.48 g	approx.46 g

## DC HIGH TORQUE, SHORTER BODY, LONG SENSING INDUCTIVE PROXIMITY SWITCH

M 18	
●	○
8 mm	16 mm
stainless steel or nickel plated brass	
●	



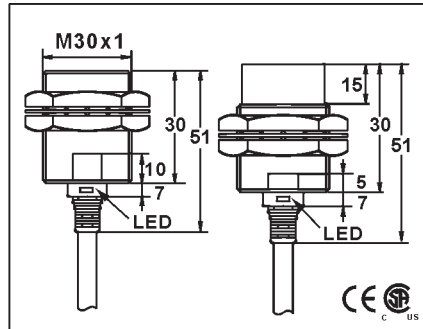
10-30VDC or 5-36VDC or 10-55VDC	
<10%	
<10mA	<20mA
200mA	
<0.01mA	
-	
<1.5V or <1.0V or <2.0V	
2KHZ	1KHZ
0.1ms/0.1ms	0.2ms/0.2ms
<15%(Sr)	
<1.0%(Sr)	
IP67	
-25°C - +70°C □	
<10%(Sr)	
YES	
220mA	
<10ms	
RFI>3V/m / EFT>1KV / ESD>4KV (contact)	
IEC 60947-5-2,Part 7.4.1 / IEC 60947-5-2,Part 7.4.2	
PBT	POM

FCN1-1808N-ARU4	29	FCN2-1816N-ARU4
FCN1-1808N-BRU4	30	FCN2-1816N-BRU4
FCN1-1808P-ARU4	31	FCN2-1816P-ARU4
FCN1-1808P-BRU4	32	FCN2-1816P-BRU4
FCN1-1808P-SRU4	34	FCN2-1816P-SRU4
FCN1-1808N-SRU4	33	FCN2-1816N-SRU4
FCN1-1808C-ARU4	36	FCN2-1816C-ARU4
FCN1-1808C-BRU4	74	FCN2-1816C-BRU4
HCN1-1808N-ARU4	29	HCN2-1816N-ARU4
HCN1-1808N-BRU4	30	HCN2-1816N-BRU4
HCN1-1808P-ARU4	31	HCN2-1816P-ARU4
HCN1-1808P-BRU4	32	HCN2-1816P-BRU4
ICN1-1808N-ARU4	29	ICN2-1816N-ARU4
ICN1-1808N-BRU4	30	ICN2-1816N-BRU4
ICN1-1808P-ARU4	31	ICN2-1816P-ARU4
ICN1-1808P-BRU4	32	ICN2-1816P-BRU4
ICN1-1808P-SRU4	34	ICN2-1816P-SRU4
ICN1-1808N-SRU4	33	ICN2-1816N-SRU4

- DC 2 wire type see page 17.
- voltage drop:<1.5V(10-30V),<1V(5-36V), <2V(10-55V).
- 10-55V type: no load current < 20mA.

Approx.50 g	Approx.48 g
-------------	-------------

M 30	
●	○
16 mm	25 mm
stainless steel or nickel plated brass	
●	



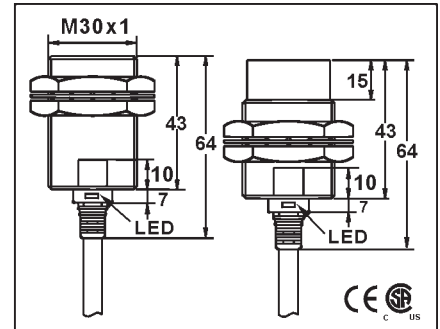
10-30VDC or 5-36VDC or 10-55VDC	
<10%	
<10mA	<20mA
200mA	
<0.01mA	
-	
<1.5V or <1.0V or <2.0V	
1KHZ	500HZ
0.2ms/0.2ms	0.5ms/0.5ms
<15%(Sr)	
<1.0%(Sr)	
IP67	
-25°C - +70°C □	
<10%(Sr)	
YES	
220mA	
<10ms	
RFI>3V/m / EFT>1KV / ESD>4KV (contact)	
IEC 60947-5-2,Part 7.4.1 / IEC 60947-5-2,Part 7.4.2	
POM	PBT

FCN1-3016N-A3S2	1	FCN2-3025N-A3S2
FCN1-3016N-B3S2	2	FCN2-3025N-B3S2
FCN1-3016P-A3S2	3	FCN2-3025P-A3S2
FCN1-3016P-B3S2	4	FCN2-3025P-B3S2
FCN1-3016P-S4S2	6	FCN2-3025P-S4S2
FCN1-3016N-S4S2	5	FCN2-3025N-S4S2
FCN1-3016C-A2S2	7	FCN2-3025C-A2S2
FCN1-3016C-B2S2	7	FCN2-3025C-B2S2
HCN1-3016N-A3S2	1	HCN2-3025N-A3S2
HCN1-3016N-B3S2	2	HCN2-3025N-B3S2
HCN1-3016P-A3S2	3	HCN2-3025P-A3S2
HCN1-3016P-B3S2	4	HCN2-3025P-B3S2
ICN1-3016N-A3S2	1	ICN2-3025N-A3S2
ICN1-3016N-B3S2	2	ICN2-3025N-B3S2
ICN1-3016P-A3S2	3	ICN2-3025P-A3S2
ICN1-3016P-B3S2	4	ICN2-3025P-B3S2
ICN1-3016P-S4S2	6	ICN2-3025P-S4S2
ICN1-3016N-S4S2	5	ICN2-3025N-S4S2

- DC 2 wire type see page 17.
- voltage drop:<1.5V(10-30V),<1V(5-36V), <2V(10-55V).
- 10-55V type: no load current < 20mA.

5.8φ 3x0.5	
Approx.170 g	Approx.165 g

M 30	
●	○
16 mm	25 mm
stainless steel or nickel plated brass	
●	



10-30VDC or 5-36VDC or 10-55VDC	
<10%	
<10mA	<20mA
200mA	
<0.01mA	
-	
<1.5V or <1.0V or <2.0V	
1KHZ	500HZ
0.2ms/0.2ms	0.5ms/0.5ms
<15%(Sr)	
<1.0%(Sr)	
IP67	
-25°C - +70°C □	
<10%(Sr)	
YES	
220mA	
<10ms	
RFI>3V/m / EFT>1KV / ESD>4KV (contact)	
IEC 60947-5-2,Part 7.4.1 / IEC 60947-5-2,Part 7.4.2	
PBT	

FCN1-3016N-A3U2	1	FCN2-3025N-A3U2
FCN1-3016N-B3U2	2	FCN2-3025N-B3U2
FCN1-3016P-A3U2	3	FCN2-3025P-A3U2
FCN1-3016P-B3U2	4	FCN2-3025P-B3U2
FCN1-3016P-S4U2	6	FCN2-3025P-S4U2
FCN1-3016N-S4U2	5	FCN2-3025N-S4U2
FCN1-3016C-A2U2	7	FCN2-3025C-A2U2
FCN1-3016C-B2U2	7	FCN2-3025C-B2U2
HCN1-3016N-A3U2	1	HCN2-3025N-A3U2
HCN1-3016N-B3U2	2	HCN2-3025N-B3U2
HCN1-3016P-A3U2	3	HCN2-3025P-A3U2
HCN1-3016P-B3U2	4	HCN2-3025P-B3U2
ICN1-3016N-A3U2	1	ICN2-3025N-A3U2
ICN1-3016N-B3U2	2	ICN2-3025N-B3U2
ICN1-3016P-A3U2	3	ICN2-3025P-A3U2
ICN1-3016P-B3U2	4	ICN2-3025P-B3U2
ICN1-3016P-S4U2	6	ICN2-3025P-S4U2
ICN1-3016N-S4U2	5	ICN2-3025N-S4U2

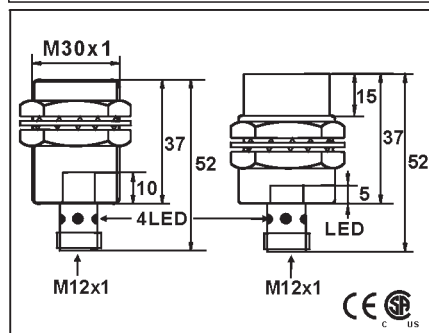
- DC 2 wire type see page 17.
- voltage drop:<1.5V(10-30V),<1V(5-36V), <2V(10-55V).
- 10-55V type: no load current < 20mA.

5.8φ 3x0.5	
Approx.217 g	Approx.207 g

## DC HIGH TORQUE, SHORTER BODY, LONG SENSING INDUCTIVE PROXIMITY SWITCH

M 30

●	○
16 mm	25 mm
stainless steel or nickel plated brass	
●	



10-30VDC or 5-36VDC or 10-55VDC	
<10%	
<10mA	<20mA
200mA	
<0.01mA	
-	
<1.5V or <1.0V or <2.0V	
300HZ	150HZ
0.5ms/0.5ms	1ms/1ms
<15%(Sr)	
<1.0%(Sr)	
IP67	
-25° C - +70° C	
<10%(Sr)	
YES	
220mA	
<10ms	
RFI>3V/m / EFT>1KV / ESD>4KV (contact)	
IEC 60947-5-2, Part 7.4.1 / IEC 60947-5-2, Part 7.4.2	
PBT	

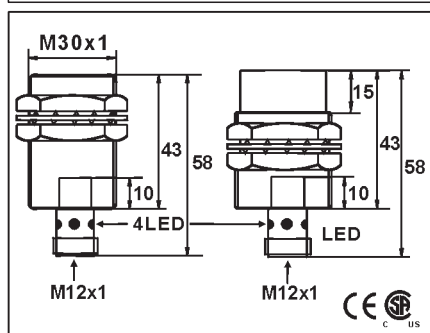
FCN1-3016N-ARS4	29	FCN2-3025N-ARS4
FCN1-3016N-BRS4	30	FCN2-3025N-BRS4
FCN1-3016P-ARS4	31	FCN2-3025P-ARS4
FCN1-3016P-BRS4	32	FCN2-3025P-BRS4
FCN1-3016P-SRS4	34	FCN2-3025P-SRS4
FCN1-3016N-SRS4	33	FCN2-3025N-SRS4
FCN1-3016C-ARS4	36	FCN2-3025C-ARS4
FCN1-3016C-BRS4	74	FCN2-3025C-BRS4
HCN1-3016N-ARS4	29	HCN2-3025N-ARS4
HCN1-3016N-BRS4	30	HCN2-3025N-BRS4
HCN1-3016P-ARS4	31	HCN2-3025P-ARS4
HCN1-3016P-BRS4	32	HCN2-3025P-BRS4
ICN1-3016N-ARS4	29	ICN2-3025N-ARS4
ICN1-3016N-BRS4	30	ICN2-3025N-BRS4
ICN1-3016P-ARS4	31	ICN2-3025P-ARS4
ICN1-3016P-BRS4	32	ICN2-3025P-BRS4
ICN1-3016P-SRS4	34	ICN2-3025P-SRS4
ICN1-3016N-SRS4	33	ICN2-3025N-SRS4

- DC 2 wire type see page 17.
- voltage drop:<1.5V(10-30V),<1V(5-36V), <2V(10-55V).
- 10-55V type: no load current < 20mA.

approx.110 g	approx.108 g
--------------	--------------

M 30

●	○
16 mm	25 mm
stainless steel or nickel plated brass	
●	



10-30VDC or 5-36VDC or 10-55VDC	
<10%	
<10mA	<20mA
200mA	
<0.01mA	
-	
<1.5V or <1.0V or <2.0V	
300HZ	150HZ
0.5ms/0.5ms	1ms/1ms
<15%(Sr)	
<1.0%(Sr)	
IP67	
-25° C - +70° C	
<10%(Sr)	
YES	
220mA	
<10ms	
RFI>3V/m / EFT>1KV / ESD>4KV (contact)	
IEC 60947-5-2, Part 7.4.1 / IEC 60947-5-2, Part 7.4.2	
PBT	

FCN1-3016N-ARU4	29	FCN2-3025N-ARU4
FCN1-3016N-BRU4	30	FCN2-3025N-BRU4
FCN1-3016P-ARU4	31	FCN2-3025P-ARU4
FCN1-3016P-BRU4	32	FCN2-3025P-BRU4
FCN1-3016P-SRU4	34	FCN2-3025P-SRU4
FCN1-3016N-SRU4	33	FCN2-3025N-SRU4
FCN1-3016C-ARU4	36	FCN2-3025C-ARU4
FCN1-3016C-BRU4	74	FCN2-3025C-BRU4
HCN1-3016N-ARU4	29	HCN2-3025N-ARU4
HCN1-3016N-BRU4	30	HCN2-3025N-BRU4
HCN1-3016P-ARU4	31	HCN2-3025P-ARU4
HCN1-3016P-BRU4	32	HCN2-3025P-BRU4
ICN1-3016N-ARU4	29	ICN2-3025N-ARU4
ICN1-3016N-BRU4	30	ICN2-3025N-BRU4
ICN1-3016P-ARU4	31	ICN2-3025P-ARU4
ICN1-3016P-BRU4	32	ICN2-3025P-BRU4
ICN1-3016P-SRU4	34	ICN2-3025P-SRU4
ICN1-3016N-SRU4	33	ICN2-3025N-SRU4

- DC 2 wire type see page 17.
- voltage drop:<1.5V(10-30V),<1V(5-36V), <2V(10-55V).
- 10-55V type: no load current < 20mA.

approx.111 g	approx.121 g
--------------	--------------





## AC HIGH TORQUE, SHORTER BODY, LONG SENSING INDUCTIVE PROXIMITY SWITCH

M 12			
●	○		
4 mm	8 mm		
stainless steel or nickel plated brass			
●			
20-250VAC			
-			
<1.8mA			
400mA			
<1.8mA			
5A(20ms)			
5mA			
<8VAC at 400MA			
<25HZ			
10ms/10ms			
<15%(Sr)			
<1.0%(Sr)			
IP67			
-25 °C - +70 °C			
<10%(Sr)			
NO			
-			
-			
RFI>3V/m / EFT>1KV / ESD>4KV (contact)			
IEC 60947-5-2,Part 7.4.1 / IEC 60947-5-2,Part 7.4.2			
PBT			
FCN1-1204A-AUL3	52	FCN2-1208A-AUL3	52
FCN1-1204A-BUL3	52	FCN2-1208A-BUL3	52
approx.31 g		approx.30 g	

M 18			
●	○		
8 mm	16 mm		
stainless steel or nickel plated brass			
●			
20-250VAC			
-			
<1.8mA			
400mA			
<1.8mA			
5A(20ms)			
5mA			
<8VAC AT 400MA			
<25HZ			
10ms/10ms			
<15%(Sr)			
<1.0%(Sr)			
IP67			
-25 °C - +70 °C			
<10%(Sr)			
NO			
-			
-			
RFI>3V/m / EFT>1KV / ESD>4KV (contact)			
IEC 60947-5-2,Part 7.4.1 / IEC 60947-5-2,Part 7.4.2			
PBT			
FCN1-1808A-A3S2	11	FCN2-1816A-A3S2	11
FCN1-1808A-B3S2	12	FCN2-1816A-B3S2	12
5.0ϕ44x0.1		5.0ϕ44x0.1	
approx.132 g		approx.134 g	

M18			
●	○		
8 mm	16 mm		
stainless steel or nickel plated brass			
●			
20-250VAC			
-			
<1.8mA			
400mA			
<1.8mA			
5A(20ms)			
5mA			
<8VAC AT 400MA			
<25HZ			
10ms/10ms			
<15%(Sr)			
<1.0%(Sr)			
IP67			
-25 °C - +70 °C			
<10%(Sr)			
NO			
-			
-			
RFI>3V/m / EFT>1KV / ESD>4KV (contact)			
IEC 60947-5-2,Part 7.4.1 / IEC 60947-5-2,Part 7.4.2			
PBT			
FCN1-1808A-A3L2	11	FCN2-1816A-A3L2	11
FCN1-1808A-B3L2	12	FCN2-1816A-B3L2	12
FCN1-1808A-C5L2	14	FCN2-1816A-C5L2	14
approx.153 g		approx.144 g	

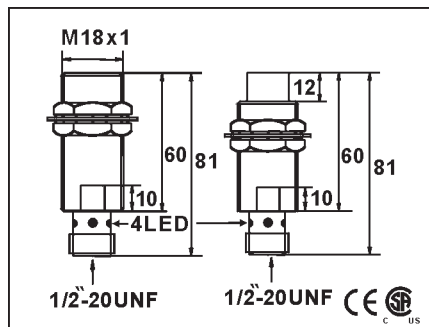






## AC/DC HIGH TORQUE, SHORTER BODY, LONG SENSING INDUCTIVE PROXIMITY SWITCH

M 18	
●	○
8 mm	16mm
stainless steel or nickel plated brass	
●	

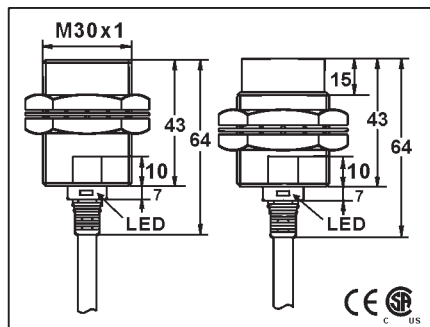


20-250 VAC, 50-60 Hz; 20-250 VDC
DC RIPPLE <10%
<2.5mA
200mA
<2.5mA
2.2A for 20ms
5mA
<=10 VAC :<=8 VDC
25HZ AC; 40 Hz DC
10ms/10ms
<15% (Sr)
<1.0% (Sr)
IP67
-25°C - +70°C
<10% (Sr)
YES
-
RFI>3V/m / EFT>1KV / ESD>4KV (contact)
IEC 60947-5-2, Part 7.4.1 / IEC 60947-5-2, Part 7.4.2
PBT

FCN1-1808U-AUU3	52	FCN2-1816U-AUU3
FCN1-1808U-BUU3	52	FCN2-1816U-BUU3

approx.94 g		approx.91 g	
-------------	--	-------------	--

M 30	
●	○
16 mm	25 mm
stainless steel or nickel plated brass	
●	

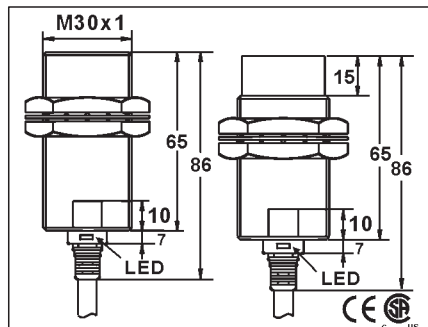


20-250 VAC, 50-60 Hz; 20-250 VDC
DC RIPPLE <10%
<2.5mA
200mA
<2.5mA
2.2A for 20ms
5mA
<=10 VAC :<=8 VDC
25HZ AC; 40 Hz DC
10ms/10ms
<15% (Sr)
<1.0% (Sr)
IP67
-25°C - +70°C
<10% (Sr)
YES
-
RFI>3V/m / EFT>1KV / ESD>4KV (contact)
IEC 60947-5-2, Part 7.4.1 / IEC 60947-5-2, Part 7.4.2
PBT

FCN1-3016U-A3S2	11	FCN2-3025U-A3S2
FCN1-3016U-B3S2	12	FCN2-3025U-B3S2

5.8φ3x0.5(6.8φ5x0.5)	
approx.217 g	approx.207 g

M 30	
●	○
16 mm	25 mm
stainless steel or nickel plated brass	
●	



20-250 VAC, 50-60 Hz; 20-250 VDC
DC RIPPLE <10%
<2.5mA
200mA
<2.5mA
2.2A for 20ms
5mA
<=10 VAC :<=8 VDC
25HZ AC; 40 Hz DC
10ms/10ms
<15% (Sr)
<1.0% (Sr)
IP67
-25°C - +70°C
<10% (Sr)
YES
-
RFI>3V/m / EFT>1KV / ESD>4KV (contact)
IEC 60947-5-2, Part 7.4.1 / IEC 60947-5-2, Part 7.4.2
PBT

FCN1-3016U-A3U2	11	FCN2-3025U-A3U2
FCN1-3016U-B3U2	12	FCN2-3025U-B3U2

5.8φ3x0.5(6.8φ5x0.5)	
approx.227 g	approx.217 g

