

# PART J-01 ~ J-07

Diameter

● Shielded    ○ non-Shielded

Switching Distance Sn mm

Housing Material

● With LED    ○ Without LED

Dimensions (unit: mm)

Operating Voltage

Ripple

No Load Current

Max. Load Current

Leakge Current

Surge Current

Min. Load Current

Voltage Drop

Switching Frequency

Response Time

Switching Hysteresis

Repeat Accuracy

Protection Category

Operating Temperature

Temperature Drift

Short Circuit Protection

Overload Trip Point

Time Delay Before Availability

EMC

Shock / Vibration

Material Active Face

DC 3 wire 10-30V NPN N.O.

DC 3 wire 10-30V NPN N.C.

DC 3 wire 10-30V PNP N.O.

DC 3 wire 10-30V PNP N.C.

DC 4 wire 10-30V Changeover PNP (N.O. & N.C.)

DC 4 wire 10-30V Changeover NPN (N.O. & N.C.)

DC 2 wire 10-60V N.O.

DC 2 wire 10-60V N.C.

DC 3 wire 10-55v NPN N.O. or NAMUR

DC 3 wire 10-55v NPN N.C.

DC 3 wire 10-55v PNP N.O.

DC 3 wire 10-55v PNP N.C.

AC 2 wire 20-250V N.O.

AC 2 wire 20-250V N.C.

AC 2 wire 20-250V N.O. or N.C. Changeable

AC/DC 2 wire 20-250V N.O.

AC/DC 2 wire 20-250V N.C.

AC/DC 2 wire 20-250V N.O. or N.C. Changeable

Remark

Cable 2M (PVC)

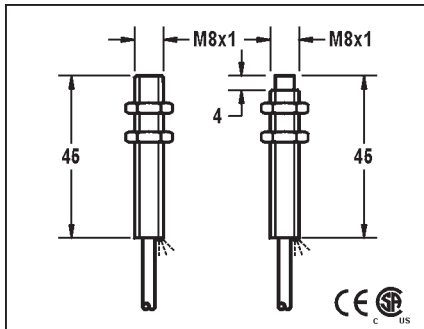
Weight

Please put each catalog page in the blank. The specification on the left will help your reading.



# DC HIGH TEMPERATURE INDUCTIVE PROXIMITY SWITCH

M8	
●	○
1 mm	2 mm
stainless steel or nickel plated brass	
●	



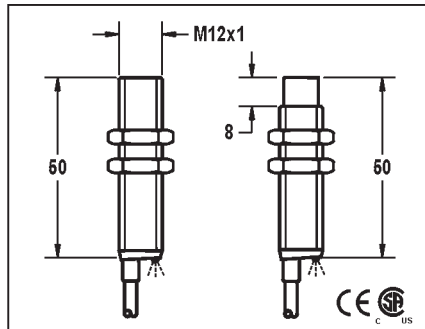
10-30VDC	
<10%	
<10mA	
200mA	
<0.01mA	
-	
-	
<1.5V	
2KHZ	
0.1ms/0.1ms	
<15%	
<1.0%(Sr)	
IP67	
-25 °C - +100 °C	
<10%(Sr)	
YES	
220mA	
<10ms	
RFI>3V/m / EFT>1KV / ESD>4KV (contact)	
IEC 60947-5-2,Part 7.4.1 / IEC 60947-5-2,Part 7.4.2	
POM	

TCM1-0801N-A3U2	1	TCM2-0802N-A3U2
TCM1-0801N-B3U2	2	TCM2-0802N-B3U2
TCM1-0801P-A3U2	3	TCM2-0802P-A3U2
TCM1-0801P-B3U2	4	TCM2-0802P-B3U2
TCM1-0801P-S4U2	6	TCM2-0802P-S4U2
TCM1-0801N-S4U2	5	TCM2-0802N-S4U2
TCM1-0801C-A2U2	7	TCM2-0802C-A2U2
TCM1-0801C-B2U2	8	TCM2-0802C-B2U2

DC 2 wire type see page 17

PVC105 3 φ 3x0.15  
approx.40g

M12	
●	○
2 mm	4 mm
stainless steel or nickel plated brass	
●	



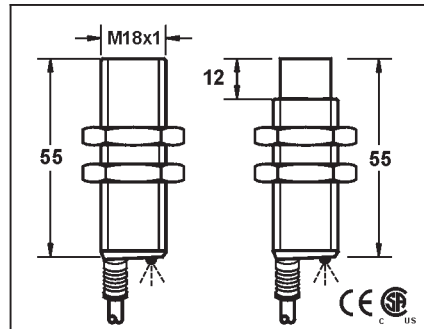
10-30VDC	
<10%	
<10mA	
200mA	
<0.01mA	
-	
-	
<1.5V	
2KHZ	1KHZ
0.1ms/0.1ms	0.2ms/0.2ms
<15%	
<1.0%(Sr)	
IP67	
-25 °C - +100 °C	
<10%(Sr)	
YES	
220mA	
<10ms	
RFI>3V/m / EFT>1KV / ESD>4KV (contact)	
IEC 60947-5-2,Part 7.4.1 / IEC 60947-5-2,Part 7.4.2	
POM	
PBT	

TCM1-1202N-A3U2	1	TCM2-1204N-A3U2
TCM1-1202N-B3U2	2	TCM2-1204N-B3U2
TCM1-1202P-A3U2	3	TCM2-1204P-A3U2
TCM1-1202P-B3U2	4	TCM2-1204P-B3U2
TCM1-1202P-S4U2	6	TCM2-1204P-S4U2
TCM1-1202N-S4U2	5	TCM2-1204N-S4U2
TCM1-1202C-A2U2	7	TCM2-1204C-A2U2
TCM1-1202C-B2U2	8	TCM2-1204C-B2U2

DC 2 wire type see page 17

PVC105 4 φ 3x0.34  
approx.67g

M18	
●	○
5 mm	8 mm
stainless steel or nickel plated brass	
●	



10-30VDC	
<10%	
<10mA	
200mA	
<0.01mA	
-	
-	
<1.5V	
1KHZ	500HZ
0.2ms/0.2ms	0.5ms/0.5ms
<15%	
<1.0%(Sr)	
IP67	
-25 °C - +100 °C	
<10%(Sr)	
YES	
220mA	
<10ms	
RFI>3V/m / EFT>1KV / ESD>4KV (contact)	
IEC 60947-5-2,Part 7.4.1 / IEC 60947-5-2,Part 7.4.2	
PBT	

TCM1-1805N-A3U2	1	TCM2-1808N-A3U2
TCM1-1805N-B3U2	2	TCM2-1808N-B3U2
TCM1-1805P-A3U2	3	TCM2-1808P-A3U2
TCM1-1805P-B3U2	4	TCM2-1808P-B3U2
TCM1-1805P-S4U2	6	TCM2-1808P-S4U2
TCM1-1805N-S4U2	5	TCM2-1808N-S4U2
TCM1-1805C-A2U2	7	TCM2-1808C-A2U2
TCM1-1805C-B2U2	8	TCM2-1808C-B2U2

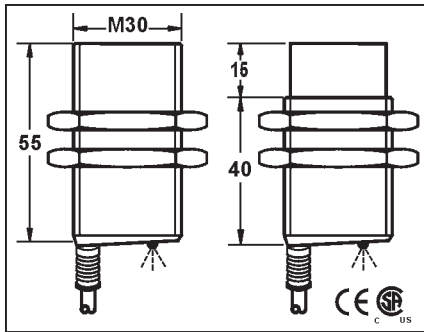
DC 2 wire type see page 17

PVC105 5.0 φ 44x0.1  
approx.153g

# DC HIGH TEMPERATURE INDUCTIVE PROXIMITY SWITCH

## M30

●	○
10 mm	15 mm
stainless steel or nickel plated brass	
●	



10-30VDC	
<10%	
<10mA	
200mA	
<0.01mA	
-	
-	
<1.0V	
300HZ	150HZ
0.5ms/0.5ms	1ms/1ms
<15%	
<1.0%(Sr)	
IP67	
-25°C - +100°C	
<10%(Sr)	
YES	
220mA	
<10ms	
RFI>3V/m / EFT>1KV / ESD>4KV (contact)	

IEC 60947-5-2, Part 7.4.1 / IEC 60947-5-2, Part 7.4.2  
PBT

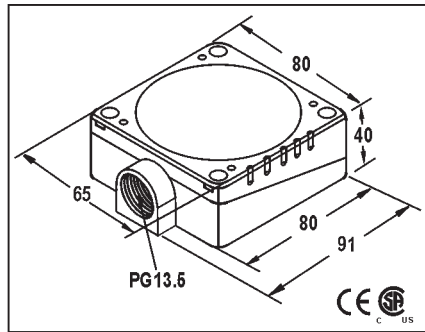
TCM1-3010N-A3U2	1	TCM2-3015N-A3U2
TCM1-3010N-B3U2	2	TCM2-3015N-B3U2
TCM1-3010P-A3U2	3	TCM2-3015P-A3U2
TCM1-3010P-B3U2	4	TCM2-3015P-B3U2
TCM1-3010P-S4U2	6	TCM2-3015P-S4U2
TCM1-3010N-S4U2	5	TCM2-3015N-S4U2
TCM1-3010C-A2U2	7	TCM2-3015C-A2U2
TCM1-3010C-B2U2	8	TCM2-3015C-B2U2

DC 2 wire type see page 17

PVC105 5.8φ3x0.5
approx.217g

## Q80

●	○
40 mm	50 mm
PBT RESIN	
●	



10-30VDC or 10-55VDC	
<10%	
<10mA	
200mA	
<0.01mA	
-	
-	
<1.5V(10-30V) or <2.0V(10-55V)	
100HZ	
1ms/1ms	
<15%	
<1.0%(Sr)	
IP67	
-25°C - +100°C	
<10%(Sr)	
YES	
220mA	
<10ms	
RFI>3V/m / EFT>1KV / ESD>4KV (contact)	

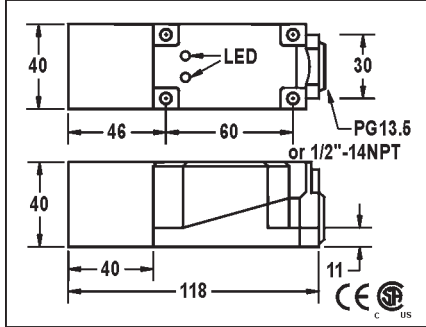
IEC 60947-5-2, Part 7.4.1 / IEC 60947-5-2, Part 7.4.2  
PBT

TQP1-8040N-A3UT	1	TQP2-8050N-A3UT
TQP1-8040N-B3UT	2	TQP2-8050N-B3UT
TQP1-8040P-A3UT	3	TQP2-8050P-A3UT
TQP1-8040P-B3UT	4	TQP2-8050P-B3UT
TQP1-8040P-S4UT	6	TQP2-8050P-S4UT
TQP1-8040N-S4UT	5	TQP2-8050N-S4UT
TQP1-8040C-A2UT	7	TQP2-8050C-A2UT
TQP1-8040C-B2UT	8	TQP2-8050C-B2UT

Approx.110g

# DC HIGH TEMPERATURE 5 WAY ROTATABL SENSING HEAD

<b>Q 40</b>
●
15 mm
PBT RESIN
●

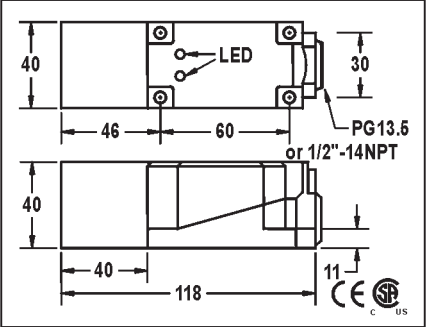


10-30VDC
<10%
<10mA
200mA
<0.01mA
-
<1.0V
100HZ
1ms/1ms
<15%
<1.0%(Sr)
IP67
-25 °C - +100 °C
<10%(Sr)
YES
220mA
<10ms
RFI>3V/m / EFT>1KV / ESD>4KV (contact)
IEC 60947-5-2,Part 7.4.1 / IEC 60947-5-2,Part 7.4.2
PBT

TQP1-4015N-A3U	1
TQP1-4015N-B3U	2
TQP1-4015P-A3U	3
TQP1-4015P-B3U	4
TQP1-4015P-S4U	6
TQP1-4015N-S4U	5
TQP1-4015C-A2U	7
TQP1-4015C-B2U	8

approx.242g
-------------

<b>Q 40</b>
○
20 mm
PBT RESIN
●

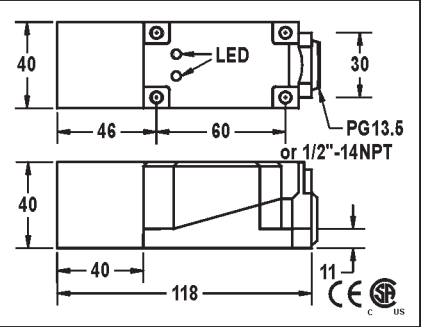


10-30VDC
<10%
<10mA
200mA
<0.01mA
-
<1.0V
100HZ
1ms/1ms
<15%
<1.0%(Sr)
IP67
-25 °C - +100 °C
<10%(Sr)
YES
220mA
<10ms
RFI>3V/m / EFT>1KV / ESD>4KV (contact)
IEC 60947-5-2,Part 7.4.1 / IEC 60947-5-2,Part 7.4.2
PBT

TQP2-4020N-A3U	1
TQP2-4020N-B3U	2
TQP2-4020P-A3U	3
TQP2-4020P-B3U	4
TQP2-4020P-S4U	6
TQP2-4020N-S4U	5
TQP2-4020C-A2U	7
TQP2-4020C-B2U	8

approx.242g
-------------

<b>Q 40</b>
○
30 mm
PBT RESIN
●



10-30VDC
<10%
<10mA
200mA
<0.01mA
-
<1.0V
100HZ
1ms/1ms
<15%
<1.0%(Sr)
IP67
-25 °C - +100 °C
<10%(Sr)
YES
220mA
<10ms
RFI>3V/m / EFT>1KV / ESD>4KV (contact)
IEC 60947-5-2,Part 7.4.1 / IEC 60947-5-2,Part 7.4.2
PBT

TQP2-4030N-A3U	1
TQP2-4030N-B3U	2
TQP2-4030P-A3U	3
TQP2-4030P-B3U	4
TQP2-4030P-S4U	6
TQP2-4030N-S4U	5
TQP2-4030C-A2U	7
TQP2-4030C-B2U	8

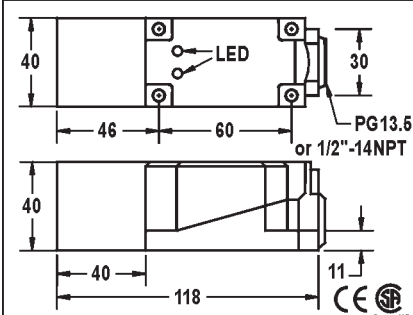
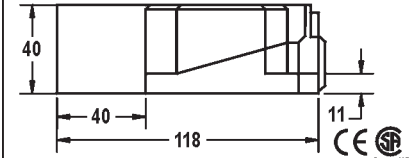
approx.242g
-------------





# AC HIGH TEMPERATURE 5 WAY ROTATABL SENSING HEAD

<b>Q 40</b>	
●	
15 mm	
PBT RESIN	
●	

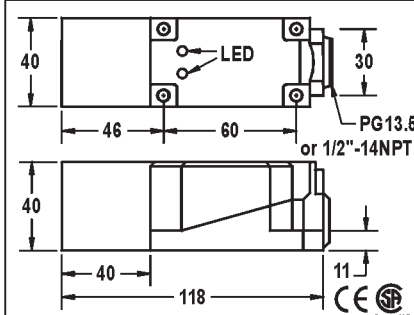
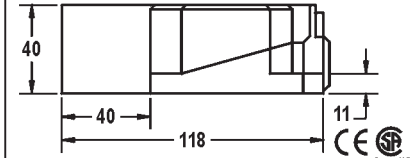



20-250VAC	
-	
<1.8mA	
400mA	
1.8mA	
5A(20ms)	
5mA	
<8VAC AT 400MA	
<25HZ	
10ms/10ms	
<15%	
<1.0%(Sr)	
IP67	
- 25 °C - +100 °C	
<10%(Sr)	
-	
-	
-	
RFI>3V/m / EFT>1KV / ESD>4KV (contact)	
IEC 60947-5-2,Part 7.4.1 / IEC 60947-5-2,Part 7.4.2	
PBT	

TQP1-4015A-C4L	14

approx.242g	
-------------	--

<b>Q 40</b>	
○	
20 mm	
PBT RESIN	
●	

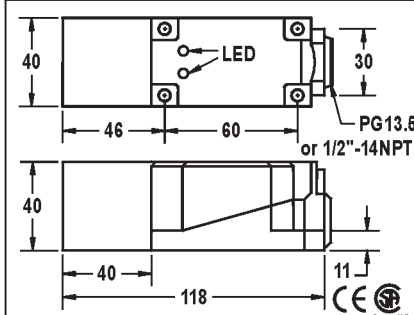
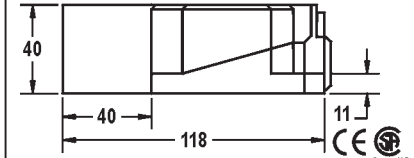



20-250VAC	
-	
<1.8mA	
400mA	
1.8mA	
5A(20ms)	
5mA	
<8VAC AT 400MA	
<25HZ	
10ms/10ms	
<15%	
<1.0%(Sr)	
IP67	
- 25 °C - +100 °C	
<10%(Sr)	
-	
-	
-	
RFI>3V/m / EFT>1KV / ESD>4KV (contact)	
IEC 60947-5-2,Part 7.4.1 / IEC 60947-5-2,Part 7.4.2	
PBT	

TQP2-4020A-C4L	14

approx.242g	
-------------	--

<b>Q 40</b>	
○	
30 mm	
PBT RESIN	
●	

20-250VAC	
-	
<1.8mA	
400mA	
1.8mA	
5A(20ms)	
5mA	
<8VAC AT 400MA	
<25HZ	
10ms/10ms	
<15%	
<1.0%(Sr)	
IP67	
- 25 °C - +100 °C	
<10%(Sr)	
-	
-	
-	
RFI>3V/m / EFT>1KV / ESD>4KV (contact)	
IEC 60947-5-2,Part 7.4.1 / IEC 60947-5-2,Part 7.4.2	
PBT	

TQP2-4030A-C4L	14

approx.242g	
-------------	--