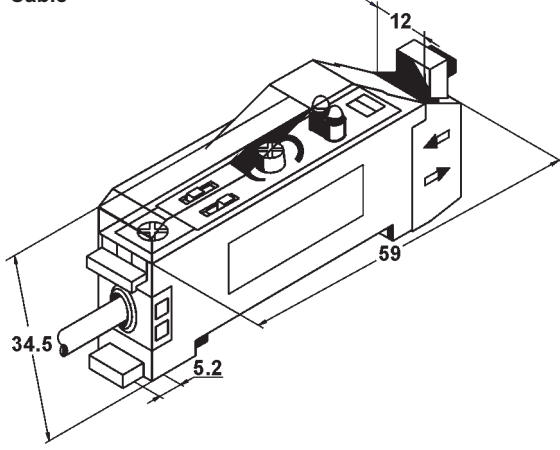
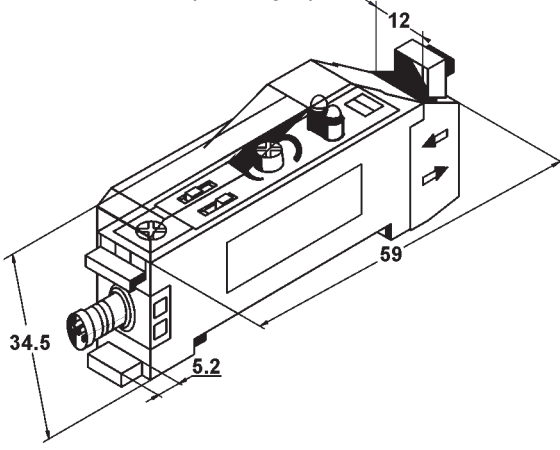




Through beam

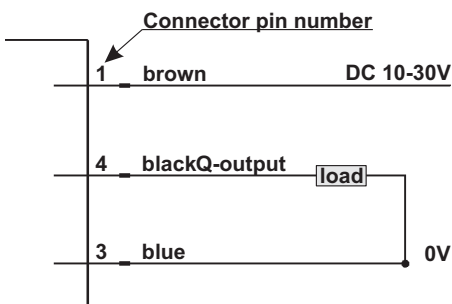
FOS1 SERIES

FOS1 SENSORS SELECTION GUIDE

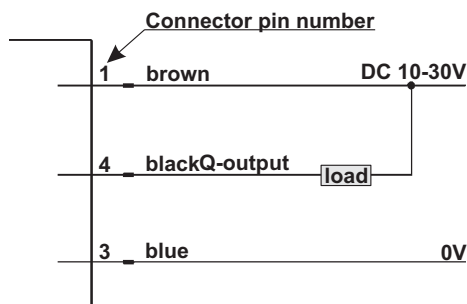
Product Highlights	Connection	Part Number
<ul style="list-style-type: none"> ▶ Rugged plastic housing ▶ Glass or plastic fibers available with many tip configurations ▶ Push button teach for easy setup ▶ Signal strength indicator ▶ Signal strength also shown at fiber tip: red = strong orange = weak ▶ Outputs short circuit and over current protected ▶ Power supply reverse polarity protected ▶ High switching frequency ▶ Cable or M8 quick disconnect versions ▶ Red light for easy alignment 	Cable 	NPN: FOS1-T0400N-CX6C3U2
		PNP: FOS1-T0400P-CX6C3U2
	Quick Disconnect(Pico style) 	NPN: FOS1-T0400N-CX6Q4UP
		PNP: FOS1-T0400P-CX6Q4UP

CONNECTION DIAGRAM

PNP Models

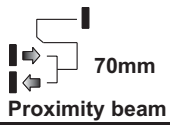


NPN Models

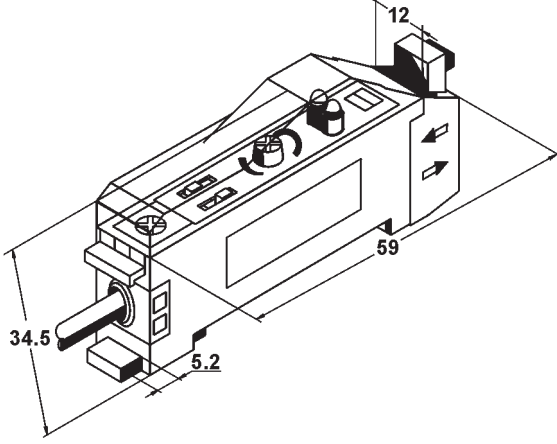
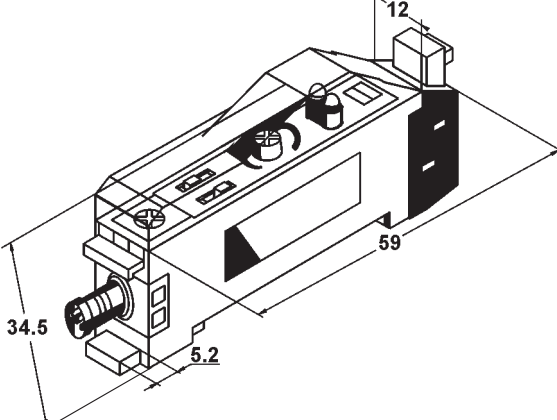


M8 Connector

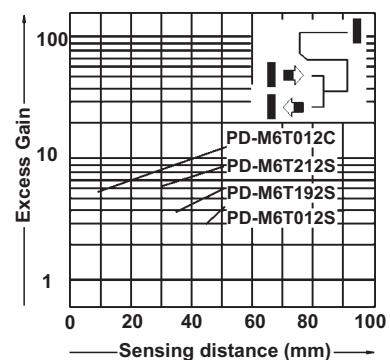
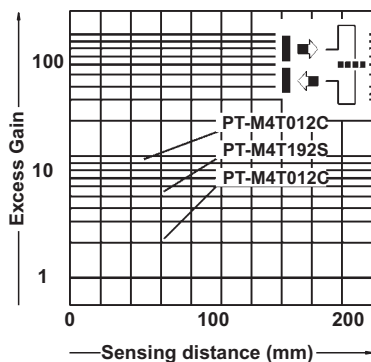




FOS1 SENSORS SELECTION GUIDE

Product Highlights	Connection	Part Number
<ul style="list-style-type: none"> ▶ Rugged plastic housing ▶ Glass or plastic fibers available with many tip configurations ▶ Push button teach for easy setup ▶ Signal strength indicator ▶ Signal strength also shown at fiber tip: red = strong orange = weak ▶ Outputs short circuit and over current protected ▶ Power supply reverse polarity protected ▶ High switching frequency ▶ Cable or M8 quick disconnect versions ▶ Red light for easy alignment 	<p>Cable</p> 	<p>NPN: FOS1-D0070N-CX6C3U2</p>
		<p>PNP: FOS1-D0070P-CX6C3U2</p>
	<p>Quick Disconnect(Pico style)</p> 	<p>NPN: FOS1-D0070N-CX6Q4UP</p> <p>PNP: FOS1-D0070P-CX6Q4UP</p>

Excess gain curve



FOS1 SENSORS SPECIFICATIONS

Part Number	FOS1-T0400P-CX6C3U2 FOS1-D0070P-CX6C3U2	FOS1-T0400N-CX6C3U2 FOS1-D0070N-CX6C3U2	FOS1-T0400P-CX6Q4UP FOS1-D0070P-CX6Q4UP	FOS1-T0400N-CX6Q4UP FOS1-D0070N-CX6Q4UP
Sensing Range	See plastic fiber optic selection table on page T-01 ... T-09			
Light Source	LED Red, 680nm			
Response Time/Frequency	<= 350 ms / 1500Hz			
Supply Voltage	10...30V DC			
Current Consumption(no load)	<=30 mA			
Ripple (within Vs tolerance)	<=5V peak-to-peak			
Output Type	PNP	NPN	PNP	NPN
Output Voltage High	Vs - (<=1.5V)	approx. Vs.	Vs - (<=1.5V)	approx. Vs.
Output Voltage Low	approx. 0V	<=1.5V.	approx. 0V	<=1.5V.
Output Current Max.	100 mA			
Light Switching	Light or dark switching delectable via switch			
Connection	Cable		M8 4-pin plug	
Connecting Cable	PVC,2m,3 x 24AWG		see accessories	
Housing	Glass fiber reinforced plastic			
Enclosure Rating	IP 66 / NEMA 4			
VDE Protection Class	II Double insulated			
Circuit Protection	Outputs short circuit and over current protected, Vs reverse polarity protected			
Timing Options	No delay or Off delay			
Time Settings	0 - 100ms adjustable			
Ambient Operating Temperature	-25...55°C (-13...131-25...55° F)			
Storage Temperature	-40...70°C (-40...158-40...70° F)			
EMC	IEC 60947-5-2, Parts 7.2.6.1. 2. 3 or RFI>3V/m(in 30-1000MHZ), EFT>1KV, ESD>4KV(contact)			
Voltage Withstand Ability	IEC 60947-5-2, Part 8.3.3.4 or 1500VAC for one min, between all supply terminals connected together and enclosure			
Insulation Resistance	>20MΩ, with 1500V AC megger between all supply terminals connected together and enclosure			
Vibration Resistance	IEC 60947-5-2, Part 7.4.2 or 10-55HZ, 1.0mm amplitude in x , y and z directions for 30 min			
Shock Resistance	IEC 60947-5-2, Part 7.4.1 or 30g, 11ms in x , y and z directions for six time each			
Mounting Bracket	included			
Weight	approx. 80 g (2.8 oz)		approx. 30 g (1.1 oz)	
cable	2M or 3.5φ PVC.			