

PART F-01 ~ F-17

Diameter

● Shielded ○ non-Shielded

Switching Distance Sn mm

Housing Material

● With LED ○ Without LED

Dimensions (unit: mm)

Operating Voltage

Ripple

No Load Current

Max. Load Current

Leakge Current

Surge Current

Min. Load Current

Voltage Drop

Switching Frequency

Response Time

Switching Hysteresis

Repeat Accuracy

Protection Category

Operating Temperature

Temperature Drift

Short Circuit Protection

Overload Trip Point

Time Delay Before Availability

EMC

Shock / Vibration

Material Active Face

DC 3 wire 10-30V NPN N.O.

DC 3 wire 10-30V NPN N.C.

DC 3 wire 10-30V PNP N.O.

DC 3 wire 10-30V PNP N.C.

DC 4 wire 10-30V Changeover PNP (N.O. & N.C.)

DC 4 wire 10-30V Changeover NPN (N.O. & N.C.)

DC 2 wire 10-60V N.O.

DC 2 wire 10-60V N.C.

DC 3 wire 10-55v NPN N.O. or NAMUR

DC 3 wire 10-55v NPN N.C.

DC 3 wire 10-55v PNP N.O.

DC 3 wire 10-55v PNP N.C.

AC/DC 2 wire 20-250V N.O.

AC 2 wire 20-250V N.C.

AC 2 wire 20-250V N.O. or N.C. Changeable

AC/DC 2 wire 20-250V N.O.

AC/DC 2 wire 20-250V N.C.

AC/DC 2 wire 20-250V N.O. or N.C. Changeable

Remark

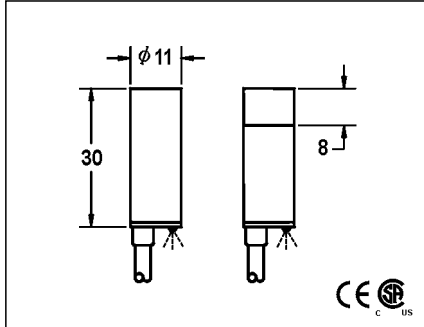
Cable 2M (PVC)

Weight

Please put each catalog page in the blank. The specification on the left will help your reading.

DC SHORT BODY WITH EXTENDED SENSING DISTANCE PROXIMITY SWITCH

φ11	
●	○
4 mm	8 mm
nickel plated brass	
●	



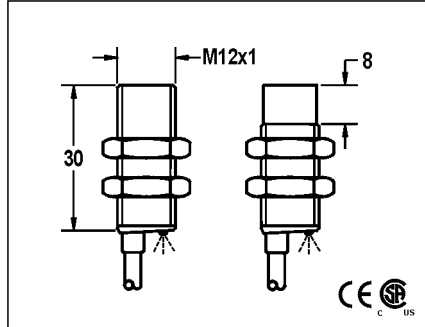
10-30VDC	
<10%	
<10mA	
200mA	
<0.01mA	
-	
-	
<1.5V	
1KHZ	500HZ
0.2ms/0.2ms	0.5ms/0.5ms
<15%	
<1.0%(Sr)	
IP67	
-25 °C - +70 °C	
<10%(Sr)	
YES	
220mA	
<10ms	
RFI>3V/m / EFT>1KV / ESD>4KV (contact)	
IEC 60947-5-2,Part 7.4.1 / IEC 60947-5-2,Part 7.4.2	
POM	

ECM1-D1104N-A3S2	1	ECM2-D1108N-A3S2
ECM1-D1104N-B3S2	2	ECM2-D1108N-B3S2
ECM1-D1104P-A3S2	3	ECM2-D1108P-A3S2
ECM1-D1104P-B3S2	4	ECM2-D1108P-B3S2
ECM1-D1104P-S4S2	6	ECM2-D1108P-S4S2
ECM1-D1104N-S4S2	5	ECM2-D1108N-S4S2
ECM1-D1104C-A2S2	7	ECM2-D1108C-A2S2
ECM1-D1104C-B2S2	8	ECM2-D1108C-B2S2

DC 2 wire type see page 17

4φ3x0.34
Approx.58 g

M12	
●	○
4 mm	8 mm
nickel plated brass	
●	



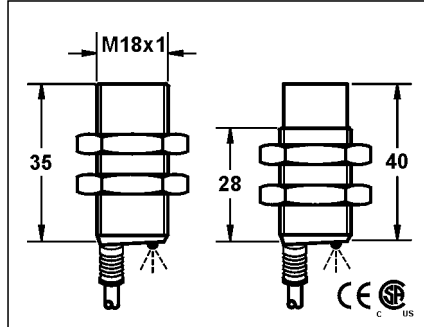
10-30VDC	
<10%	
<10mA	
200mA	
<0.01mA	
-	
-	
<1.5V	
1KHZ	500HZ
0.2ms/0.2ms	0.5ms/0.5ms
<15%	
<1.0%(Sr)	
IP67	
-25 °C - +70 °C	
<10%(Sr)	
YES	
220mA	
<10ms	
RFI>3V/m / EFT>1KV / ESD>4KV (contact)	
IEC 60947-5-2,Part 7.4.1 / IEC 60947-5-2,Part 7.4.2	
POM	
PBT	

ECM1-1204N-A3S2	1	ECM2-1208N-A3S2
ECM1-1204N-B3S2	2	ECM2-1208N-B3S2
ECM1-1204P-A3S2	3	ECM2-1208P-A3S2
ECM1-1204P-B3S2	4	ECM2-1208P-B3S2
ECM1-1204P-S4S2	6	ECM2-1208P-S4S2
ECM1-1204N-S4S2	5	ECM2-1208N-S4S2
ECM1-1204C-A2S2	7	ECM2-1208C-A2S2
ECM1-1204C-B2S2	8	ECM2-1208C-B2S2

DC 2 wire type see page 17

4φ3x0.34
Approx.62 g

M18	
●	○
8 mm	16 mm
nickel plated brass	
●	



10-30VDC	
<10%	
<10mA	
200mA	
<0.01mA	
-	
-	
<1.5V	
500HZ	500HZ
0.5ms/0.5ms	0.5ms/0.5ms
<15%	
<1.0%(Sr)	
IP67	
-25 °C - +70 °C	
<10%(Sr)	
YES	
220mA	
<10ms	
RFI>3V/m / EFT>1KV / ESD>4KV (contact)	
IEC 60947-5-2,Part 7.4.1 / IEC 60947-5-2,Part 7.4.2	
PBT	

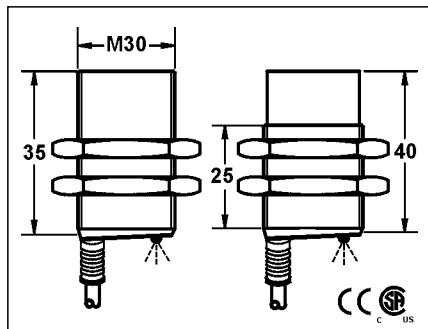
ECM1-1808N-A3S2	1	ECM2-1816N-A3S2
ECM1-1808N-B3S2	2	ECM2-1816N-B3S2
ECM1-1808P-A3S2	3	ECM2-1816P-A3S2
ECM1-1808P-B3S2	4	ECM2-1816P-B3S2
ECM1-1808P-S4S2	6	ECM2-1816P-S4S2
ECM1-1808N-S4S2	5	ECM2-1816N-S4S2
ECM1-1808C-A2S2	7	ECM2-1816C-A2S2
ECM1-1808C-B2S2	8	ECM2-1816C-B2S2

DC 2 wire type see page 17

5.0φ44x0.1
Approx.132 g

DC SHORT BODY WITH EXTENDED SENSING DISTANCE PROXIMITY SWITCH

M30	
●	○
16 mm	25mm
nickel plated brass	
●	



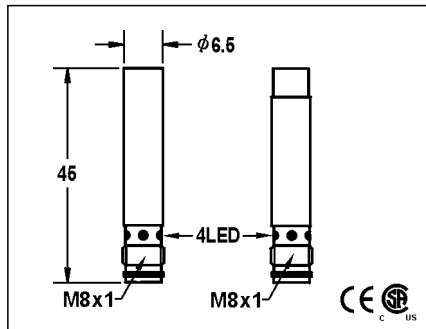
10-30VDC	
<10%	
<10mA	
200mA	
<0.01mA	
-	
-	
<1.5V	
500HZ	500HZ
0.5ms/0.5ms	0.5ms/0.5ms
<15%	
<1.0%(Sr)	
IP67	
-25°C - +70°C	
<10%(Sr)	
YES	
220mA	
<10ms	
RFI>3V/m / EFT>1KV / ESD>4KV (contact)	
IEC 60947-5-2,Part 7.4.1 / IEC 60947-5-2,Part 7.4.2	
PBT	

ECM1-3016N-A3S2	1	ECM2-3025N-A3S2
ECM1-3016N-B3S2	2	ECM2-3025N-B3S2
ECM1-3016P-A3S2	3	ECM2-3025P-A3S2
ECM1-3016P-B3S2	4	ECM2-3025P-B3S2
ECM1-3016P-S4S2	6	ECM2-3025P-S4S2
ECM1-3016N-S4S2	5	ECM2-3025N-S4S2
ECM1-3016C-A2S2	7	ECM2-3025C-A2S2
ECM1-3016C-B2S2	8	ECM2-3025C-B2S2

4 ϕ 3x0.34
Approx.180 g

DC SHORT BODY WITH EXTENDED SENSING DISTANCE CONNECTOR TYPE

$\phi 6.5$	
●	○
2 mm	4 mm
stainless steel	

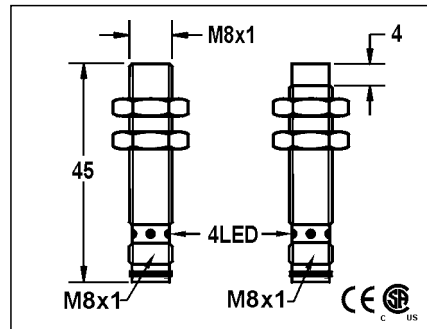


10-30VDC	
<10%	
<10mA	
200mA	
<0.01mA	
-	
-	
<1.5V	
2KHZ	1KHZ
0.1ms/0.1ms	0.2ms/0.2ms
<15%	
<1.0%(Sr)	
IP67	
-25°C - +70°C	
<10%(Sr)	
YES	
220mA	
<10ms	
RFI>3V/m / EFT>1KV / ESD>4KV (contact)	
IEC 60947-5-2, Part 7.4.1 / IEC 60947-5-2, Part 7.4.2	
POM	

ECU1-D0602N-ACS3	25	ECU2-D0604N-ACS3
ECU1-D0602N-BCS3	25	ECU2-D0604N-BCS3
ECU1-D0602P-ACS3	26	ECU2-D0604P-ACS3
ECU1-D0602P-BCS3	26	ECU2-D0604P-BCS3

Approx.14 g

M8	
●	○
2 mm	4mm
stainless steel	

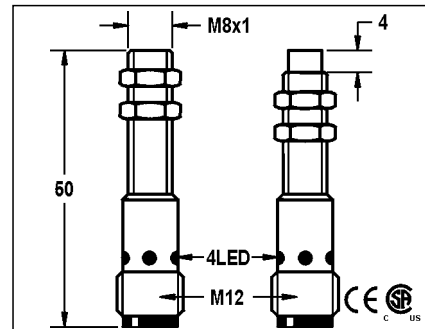


10-30VDC	
<10%	
<10mA	
200mA	
<0.01mA	
-	
-	
<1.5V	
2KHZ	1KHZ
0.1ms/0.1ms	0.2ms/0.2ms
<15%	
<1.0%(Sr)	
IP67	
-25°C - +70°C	
<10%(Sr)	
YES	
220mA	
<10ms	
RFI>3V/m / EFT>1KV / ESD>4KV (contact)	
IEC 60947-5-2, Part 7.4.1 / IEC 60947-5-2, Part 7.4.2	
POM	

ECU1-0802N-ACS3	25	ECU2-0804N-ACS3
ECU1-0802N-BCS3	25	ECU2-0804N-BCS3
ECU1-0802P-ACS3	26	ECU2-0804P-ACS3
ECU1-0802P-BCS3	26	ECU2-0804P-BCS3

Approx.14 g

M8	
●	○
2 mm	4mm
stainless steel or nickel plated brass	



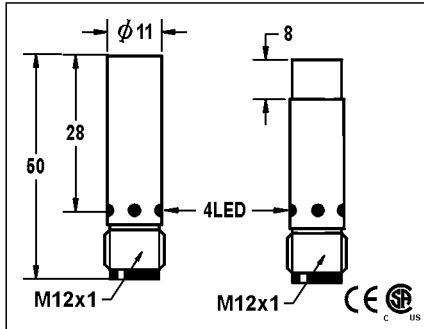
10-30VDC	
<10%	
<10mA	
200mA	
<0.01mA	
-	
-	
<1.5V	
2KHZ	1KHZ
0.1ms/0.1ms	0.2ms/0.2ms
<15%	
<1.0%(Sr)	
IP67	
-25°C - +70°C	
<10%(Sr)	
YES	
220mA	
<10ms	
RFI>3V/m / EFT>1KV / ESD>4KV (contact)	
IEC 60947-5-2, Part 7.4.1 / IEC 60947-5-2, Part 7.4.2	
POM	

ECU1-0802N-ARS4	25	ECU2-0804N-ARS4
ECU1-0802N-BRS4	25	ECU2-0804N-BRS4
ECU1-0802P-ARS4	26	ECU2-0804P-ARS4
ECU1-0802P-BRS4	26	ECU2-0804P-BRS4

Approx.17 g

DC SHORT BODY WITH EXTENDED SENSING DISTANCE CONNECTOR TYPE

ϕ11	
●	○
4 mm	8 mm
nickel plated brass	
●	



10-30VDC	
<10%	
<10mA	
200mA	
<0.01mA	
-	
-	
<1.5V	
1KHZ	500HZ
0.2ms/0.2ms	0.5ms/0.5ms
<15%	
<1.0%(Sr)	
IP67	
-25°C - +70°C	
<10%(Sr)	
YES	
220mA	
<10ms	
RFI>3V/m / EFT>1KV / ESD>4KV (contact)	
IEC 60947-5-2,Part 7.4.1 / IEC 60947-5-2,Part 7.4.2	

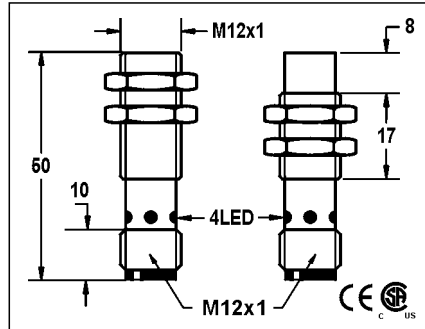
POM	
-----	--

ECM1-D1104N-ARS4	29	ECM2-D1108N-ARS4
ECM1-D1104N-BRS4	30	ECM2-D1108N-BRS4
ECM1-D1104P-ARS4	31	ECM2-D1108P-ARS4
ECM1-D1104P-BRS4	32	ECM2-D1108P-BRS4
ECM1-D1104P-SRS4	34	ECM2-D1108P-SRS4
ECM1-D1104N-SRS4	33	ECM2-D1108N-SRS4
ECM1-D1104C-ARS4	36	ECM2-D1108C-ARS4
ECM1-D1104C-BRS4	74	ECM2-D1108C-BRS4

DC 2 wire type see page 17

Approx.24 g

M12	
●	○
4 mm	8 mm
nickel plated brass	
●	



10-30VDC	
<10%	
<10mA	
200mA	
<0.01mA	
-	
-	
<1.5V	
1KHZ	500HZ
0.2ms/0.2ms	0.5ms/0.5ms
<15%	
<1.0%(Sr)	
IP67	
-25°C - +70°C	
<10%(Sr)	
YES	
220mA	
<10ms	
RFI>3V/m / EFT>1KV / ESD>4KV (contact)	
IEC 60947-5-2,Part 7.4.1 / IEC 60947-5-2,Part 7.4.2	

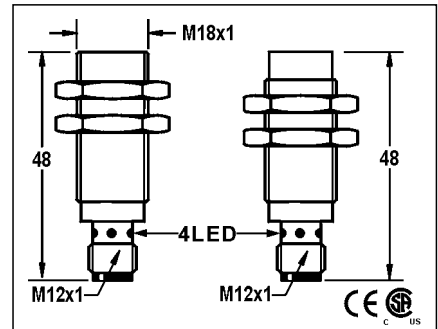
POM	
PBT	

ECM1-1204N-ARS4	29	ECM2-1208N-ARS4
ECM1-1204N-BRS4	30	ECM2-1208N-BRS4
ECM1-1204P-ARS4	31	ECM2-1208P-ARS4
ECM1-1204P-BRS4	32	ECM2-1208P-BRS4
ECM1-1204P-SRS4	34	ECM2-1208P-SRS4
ECM1-1204N-SRS4	33	ECM2-1208N-SRS4
ECM1-1204C-ARS4	36	ECM2-1208C-ARS4
ECM1-1204C-BRS4	74	ECM2-1208C-BRS4

DC 2 wire type see page 17

Approx.25 g

M18	
●	○
8mm	16mm
nickel plated brass	
●	



10-30VDC	
<10%	
<10mA	
200mA	
<0.01mA	
-	
-	
<1.5V	
500HZ	150HZ
0.5ms/0.5ms	1ms/1ms
<15%	
<1.0%(Sr)	
IP67	
-25°C - +70°C	
<10%(Sr)	
YES	
220mA	
<10ms	
RFI>3V/m / EFT>1KV / ESD>4KV (contact)	
IEC 60947-5-2,Part 7.4.1 / IEC 60947-5-2,Part 7.4.2	

PBT	
-----	--

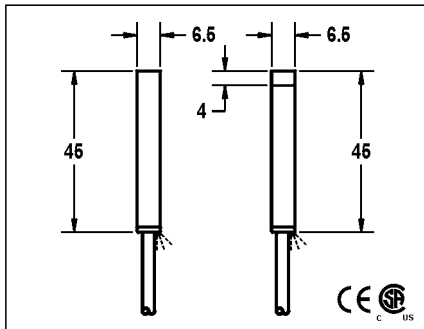
ECM1-1808N-ARS4	29	ECM2-1816N-ARS4
ECM1-1808N-BRS4	30	ECM2-1816N-BRS4
ECM1-1808P-ARS4	31	ECM2-1816P-ARS4
ECM1-1808P-BRS4	32	ECM2-1816P-BRS4
ECM1-1808P-SRS4	34	ECM2-1816P-SRS4
ECM1-1808N-SRS4	33	ECM2-1816N-SRS4
ECM1-1808C-ARS4	36	ECM2-1816C-ARS4
ECM1-1808C-BRS4	74	ECM2-1816C-BRS4

DC 2 wire type see page 17

Approx.50 g

DC STANDARD BODY WITH EXTENDED SENSING DISTANCE PROXIMITY SWITCH

φ6.5	
●	○
2 mm	4 mm
stainless steel	
●	



10-30VDC	
<10%	
<10mA	
200mA	
<0.01mA	
-	
-	
<1.5V	

2KHZ		1KHZ	
0.1ms/0.1ms		0.2ms/0.2ms	
<15%			
<1.0%(Sr)			
IP67			
-25 °C - +70 °C			
<10%(Sr)			
YES			
220mA			
<10ms			

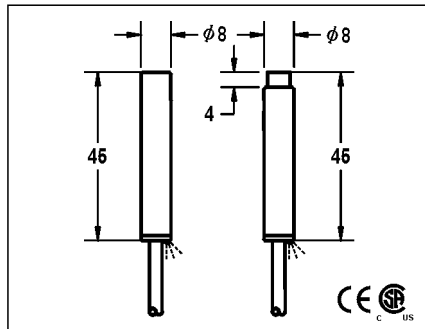
RFI>3V/m / EFT>1KV / ESD>4KV (contact)
IEC 60947-5-2,Part 7.4.1 / IEC 60947-5-2,Part 7.4.2
POM

ECU1-D0602N-A3U2	1	ECU2-D0604N-A3U2
ECU1-D0602N-B3U2	2	ECU2-D0604N-B3U2
ECU1-D0602P-A3U2	3	ECU2-D0604P-A3U2
ECU1-D0602P-B3U2	4	ECU2-D0604P-B3U2
ECU1-D0602P-S4U2	6	ECU2-D0604P-S4U2
ECU1-D0602N-S4U2	5	ECU2-D0604N-S4U2
ECU1-D0602C-A2U2	7	ECU2-D0604C-A2U2
ECU1-D0602C-B2U2	8	ECU2-D0604C-B2U2

DC 2 wire type see page 17

3φ3x0.15
Approx.36 g

φ8	
●	○
2 mm	4 mm
stainless steel	
●	



10-30VDC	
<10%	
<10mA	
200mA	
<0.01mA	
-	
-	
<1.5V	

2KHZ		1KHZ	
0.1ms/0.1ms		0.2ms/0.2ms	
<15%			
<1.0%(Sr)			
IP67			
-25 °C - +70 °C			
<10%(Sr)			
YES			
220mA			
<10ms			

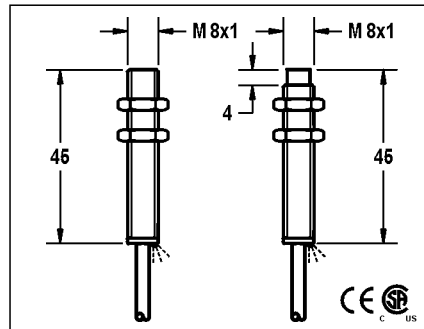
RFI>3V/m / EFT>1KV / ESD>4KV (contact)
IEC 60947-5-2,Part 7.4.1 / IEC 60947-5-2,Part 7.4.2
POM

ECU1-D0802N-A3U2	1	ECU2-D0804N-A3U2
ECU1-D0802N-B3U2	2	ECU2-D0804N-B3U2
ECU1-D0802P-A3U2	3	ECU2-D0804P-A3U2
ECU1-D0802P-B3U2	4	ECU2-D0804P-B3U2
ECU1-D0802P-S4U2	6	ECU2-D0804P-S4U2
ECU1-D0802N-S4U2	5	ECU2-D0804N-S4U2
ECU1-D0802C-A2U2	7	ECU2-D0804C-A2U2
ECU1-D0802C-B2U2	8	ECU2-D0804C-B2U2

DC 2 wire type see page 17

3φ3x0.15
Approx.38 g

M8	
●	○
2 mm	4 mm
stainless steel	
●	



10-30VDC	
<10%	
<10mA	
200mA	
<0.01mA	
-	
-	
<1.5V	

2KHZ		1KHZ	
0.1ms/0.1ms		0.2ms/0.2ms	
<15%			
<1.0%(Sr)			
IP67			
-25 °C - +70 °C			
<10%(Sr)			
YES			
220mA			
<10ms			

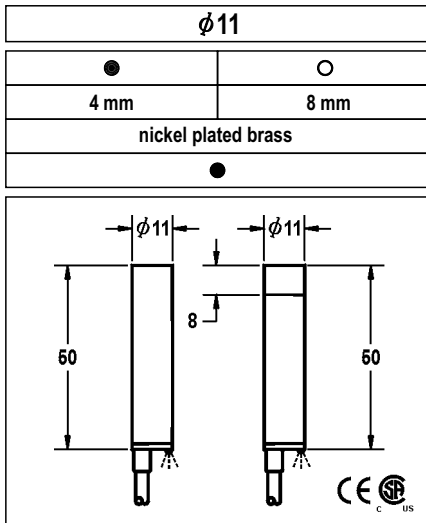
RFI>3V/m / EFT>1KV / ESD>4KV (contact)
IEC 60947-5-2,Part 7.4.1 / IEC 60947-5-2,Part 7.4.2
POM

ECU1-0802N-A3U2	1	ECU2-0804N-A3U2
ECU1-0802N-B3U2	2	ECU2-0804N-B3U2
ECU1-0802P-A3U2	3	ECU2-0804P-A3U2
ECU1-0802P-B3U2	4	ECU2-0804P-B3U2
ECU1-0802P-S4U2	6	ECU2-0804P-S4U2
ECU1-0802N-S4U2	5	ECU2-0804N-S4U2
ECU1-0802C-A2U2	7	ECU2-0804C-A2U2
ECU1-0802C-B2U2	8	ECU2-0804C-B2U2

DC 2 wire type see page 17

3φ3x0.15
Approx.40 g

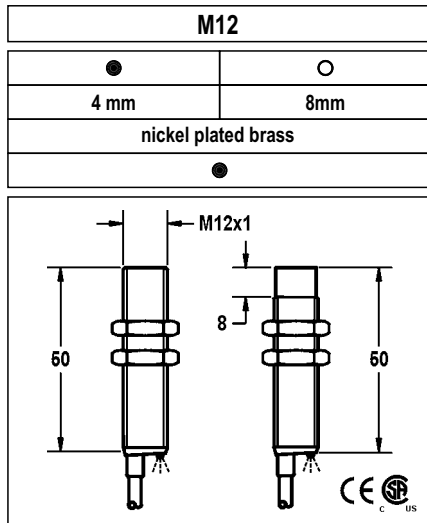
DC STANDARD BODY WITH EXTENDED SENSING DISTANCE PROXIMITY SWITCH



10-30VDC		
<10%		
<10mA		
200mA		
<0.01mA		
-		
-		
<1.5V		
2KHZ	1KHZ	
0.1ms/0.1ms	0.2ms/0.2ms	
<15%		
<1.0%(Sr)		
IP67		
-25 °C - +70 °C		
<10%(Sr)		
YES		
220mA		
<10ms		
RFI>3V/m / EFT>1KV / ESD>4KV (contact)		
IEC 60947-5-2,Part 7.4.1 / IEC 60947-5-2,Part 7.4.2		
POM		
ECM1-D1104N-A3U2	1	ECM2-D1108N-A3U2
ECM1-D1104N-B3U2	2	ECM2-D1108N-B3U2
ECM1-D1104P-A3U2	3	ECM2-D1108P-A3U2
ECM1-D1104P-B3U2	4	ECM2-D1108P-B3U2
ECM1-D1104P-S4U2	6	ECM2-D1108P-S4U2
ECM1-D1104N-S4U2	5	ECM2-D1108N-S4U2
ECM1-D1104C-A2U2	7	ECM2-D1108C-A2U2
ECM1-D1104C-B2U2	8	ECM2-D1108C-B2U2

DC 2 wire type see page 17

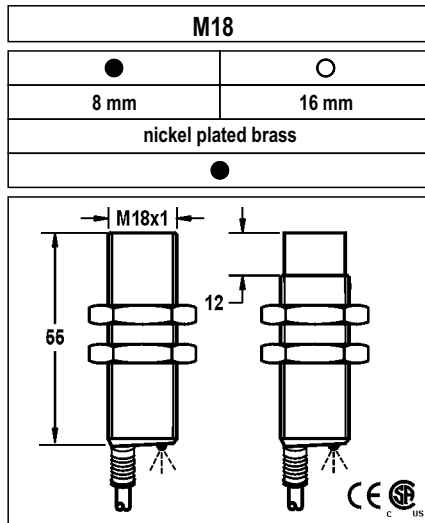
4 φ3x0.34	
Approx.55 g	



10-30VDC		
<10%		
<10mA		
200mA		
<0.01mA		
-		
-		
<1.5V		
2KHZ	1KHZ	
0.1ms/0.1ms	0.2ms/0.2ms	
<15%		
<1.0%(Sr)		
IP67		
-25 °C - +70 °C		
<10%(Sr)		
YES		
220mA		
<10ms		
RFI>3V/m / EFT>1KV / ESD>4KV (contact)		
IEC 60947-5-2,Part 7.4.1 / IEC 60947-5-2,Part 7.4.2		
POM		
ECM1-1204N-A3U2	1	ECM2-1208N-A3U2
ECM1-1204N-B3U2	2	ECM2-1208N-B3U2
ECM1-1204P-A3U2	3	ECM2-1208P-A3U2
ECM1-1204P-B3U2	4	ECM2-1208P-B3U2
ECM1-1204P-S4U2	6	ECM2-1208P-S4U2
ECM1-1204N-S4U2	5	ECM2-1208N-S4U2
ECM1-1204C-A2U2	7	ECM2-1208C-A2U2
ECM1-1204C-B2U2	8	ECM2-1208C-B2U2

DC 2 wire type see page 17

4 φ3x0.34	
Approx.67 g	Approx.67 g



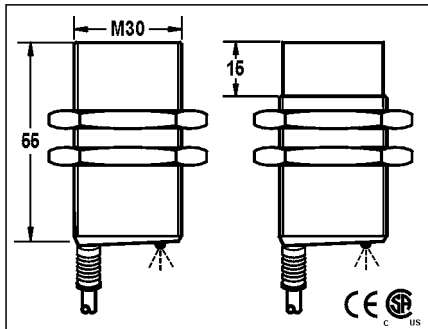
10-30VDC		
<10%		
<10mA		
200mA		
<0.01mA		
-		
-		
<1.5V		
500HZ	150HZ	
0.5ms/0.5ms	1ms/1ms	
<15%		
<1.0%(Sr)		
IP67		
-25 °C - +70 °C		
<10%(Sr)		
YES		
220mA		
<10ms		
RFI>3V/m / EFT>1KV / ESD>4KV (contact)		
IEC 60947-5-2,Part 7.4.1 / IEC 60947-5-2,Part 7.4.2		
PBT		
ECM1-1808N-A3U2	1	ECM2-1816N-A3U2
ECM1-1808N-B3U2	2	ECM2-1816N-B3U2
ECM1-1808P-A3U2	3	ECM2-1816P-A3U2
ECM1-1808P-B3U2	4	ECM2-1816P-B3U2
ECM1-1808P-S4U2	6	ECM2-1816P-S4U2
ECM1-1808N-S4U2	5	ECM2-1816N-S4U2
ECM1-1808C-A2U2	7	ECM2-1816C-A2U2
ECM1-1808C-B2U2	8	ECM2-1816C-B2U2

DC 2 wire type see page 17

5.0 φ44x0.1	
Approx.153 g	Approx.144 g

DC STANDARD BODY WITH EXTENDED SENSING DISTANCE PROXIMITY SWITCH

M30	
●	○
16 mm	25mm
nickel plated brass	



10-30VDC	
<10%	
<10mA	
200mA	
<0.01mA	
-	
<1.5V	
150HZ	100HZ
1ms/1ms	1ms/1ms
<15%	
<1.0%(Sr)	
IP67	
-25 °C - +70 °C	
<10%(Sr)	
YES	
220mA	
<10ms	
RFI>3V/m / EFT>1KV / ESD>4KV (contact)	
IEC 60947-5-2,Part 7.4.1 / IEC 60947-5-2,Part 7.4.2	
PBT	

ECM1-3016N-A3U2	1	ECM2-3025N-A3U2
ECM1-3016N-B3U2	2	ECM2-3025N-B3U2
ECM1-3016P-A3U2	3	ECM2-3025P-A3U2
ECM1-3016P-B3U2	4	ECM2-3025P-B3U2
ECM1-3016P-S4U2	6	ECM2-3025P-S4U2
ECM1-3016N-S4U2	5	ECM2-3025N-S4U2
ECM1-3016C-A2U2	7	ECM2-3025C-A2U2
ECM1-3016C-B2U2	8	ECM2-3025C-B2U2

--

5.0 ϕ 44x0.1	
Approx.217 g	Approx.207 g

--



--

--

--

--

--



--

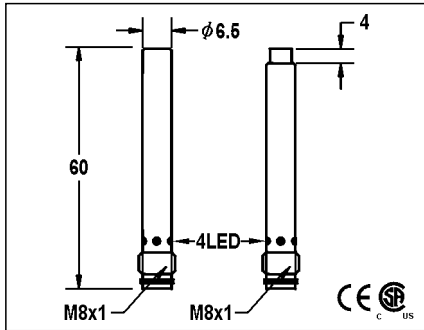
--

--

--

DC STANDARD BODY WITH EXTENDED SENSING DISTANCE CONNECTOR TYPE

φ6.5	
●	○
2 mm	4 mm
stainless steel	
●	



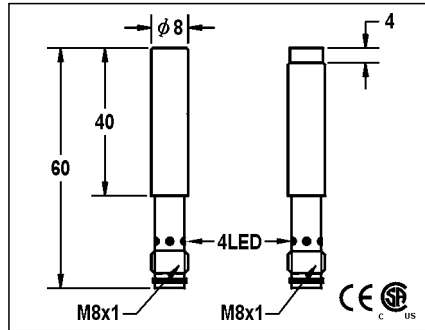
10-30VDC	
<10%	
<10mA	
200mA	
<0.01mA	
-	
-	
<1.5V	
2KHZ 0.1ms/0.1ms	1KHZ 0.2ms/0.2ms
<15%	
<1.0%(Sr)	
IP67	
-25 °C - +70 °C	
<10%(Sr)	
YES	
220mA	
<10ms	
RFI>3V/m / EFT>1KV / ESD>4KV (contact)	
IEC 60947-5-2,Part 7.4.1 / IEC 60947-5-2,Part 7.4.2	
POM	

ECU1-D0602N-ACU3	25	ECU2-D0604N-ACU3
ECU1-D0602N-BCU3	25	ECU2-D0604N-BCU3
ECU1-D0602P-ACU3	26	ECU2-D0604P-ACU3
ECU1-D0602P-BCU3	26	ECU2-D0604P-BCU3
ECU1-D0602P-SCU4	28	ECU2-D0604P-SCU4
ECU1-D0602N-SCU4	27	ECU2-D0604N-SCU4
ECU1-D0602C-ACU3	35	ECU2-D0604C-ACU3
ECU1-D0602C-BCU3	73	ECU2-D0604C-BCU3

DC 2 wire type see page 17

Approx.17 g

φ8	
●	○
2 mm	4mm
stainless steel	
●	



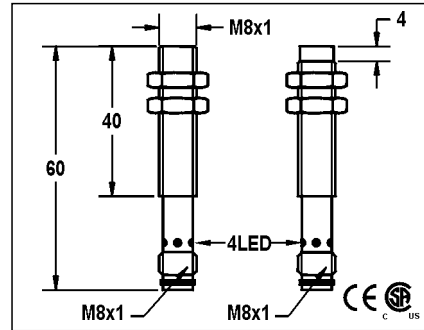
10-30VDC	
<10%	
<10mA	
200mA	
<0.01mA	
-	
-	
<1.5V	
2KHZ 0.1ms/0.1ms	1KHZ 0.2ms/0.2ms
<15%	
<1.0%(Sr)	
IP67	
-25 °C - +70 °C	
<10%(Sr)	
YES	
220mA	
<10ms	
RFI>3V/m / EFT>1KV / ESD>4KV (contact)	
IEC 60947-5-2,Part 7.4.1 / IEC 60947-5-2,Part 7.4.2	
POM	

ECU1-D0802N-ACU3	25	ECU2-D0804N-ACU3
ECU1-D0802N-BCU3	25	ECU2-D0804N-BCU3
ECU1-D0802P-ACU3	26	ECU2-D0804P-ACU3
ECU1-D0802P-BCU3	26	ECU2-D0804P-BCU3
ECU1-D0802P-SCU4	28	ECU2-D0804P-SCU4
ECU1-D0802N-SCU4	27	ECU2-D0804N-SCU4
ECU1-D0802C-ACU3	35	ECU2-D0804C-ACU3
ECU1-D0802C-BCU3	73	ECU2-D0804C-BCU3

DC 2 wire type see page 17

Approx.15 g

M8	
●	○
2 mm	4mm
stainless steel	
●	



10-30VDC	
<10%	
<10mA	
200mA	
<0.01mA	
-	
-	
<1.5V	
2KHZ 0.1ms/0.1ms	1KHZ 0.2ms/0.2ms
<15%	
<1.0%(Sr)	
IP67	
-25 °C - +70 °C	
<10%(Sr)	
YES	
220mA	
<10ms	
RFI>3V/m / EFT>1KV / ESD>4KV (contact)	
IEC 60947-5-2,Part 7.4.1 / IEC 60947-5-2,Part 7.4.2	
POM	

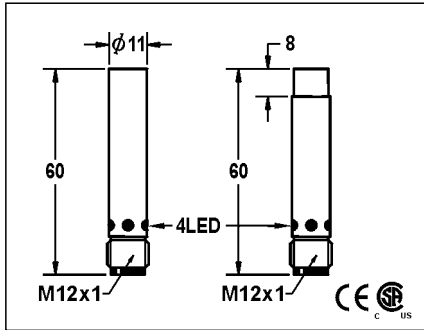
ECU1-0802N-ACU3	25	ECU2-0804N-ACU3
ECU1-0802N-BCU3	25	ECU2-0804N-BCU3
ECU1-0802P-ACU3	26	ECU2-0804P-ACU3
ECU1-0802P-BCU3	26	ECU2-0804P-BCU3
ECU1-0802P-SCU4	28	ECU2-0804P-SCU4
ECU1-0802N-SCU4	27	ECU2-0804N-SCU4
ECU1-0802C-ACU3	35	ECU2-0804C-ACU3
ECU1-0802C-BCU3	73	ECU2-0804C-BCU3

DC 2 wire type see page 17

Approx.15 g

DC STANDARD BODY WITH EXTENDED SENSING DISTANCE CONNECTOR TYPE

φ11	
●	○
4 mm	8 mm
nickel plated brass	
●	



10-30VDC
<10%
<10mA
200mA
<0.01mA
-
-
<1.5V

1KHZ	500HZ
0.2ms/0.2ms	0.5ms/0.5ms
<15%	
<1.0%(Sr)	
IP67	
-25°C - +70°C	
<10%(Sr)	
YES	
220mA	
<10ms	

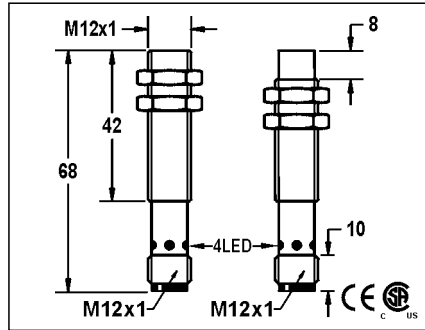
RFI>3V/m / EFT>1KV / ESD>4KV (contact)
IEC 60947-5-2, Part 7.4.1 / IEC 60947-5-2, Part 7.4.2

POM	
ECM1-D1104N-ARU4	29
ECM1-D1104N-BRU4	30
ECM1-D1104P-ARU4	31
ECM1-D1104P-BRU4	32
ECM1-D1104P-SRU4	34
ECM1-D1104N-SRU4	33
ECM1-D1104C-ARU4	36
ECM1-D1104C-BRU4	74

DC 2 wire type see page 17

Approx.30 g

M12	
●	○
4 mm	8 mm
nickel plated brass	
●	



10-30VDC
<10%
<10mA
200mA
<0.01mA
-
-
<1.5V

1KHZ	500HZ
0.2ms/0.2ms	0.5ms/0.5ms
<15%	
<1.0%(Sr)	
IP67	
-25°C - +70°C	
<10%(Sr)	
YES	
220mA	
<10ms	

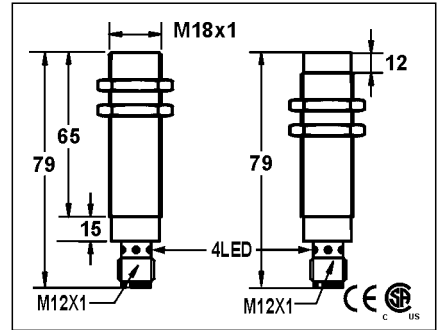
RFI>3V/m / EFT>1KV / ESD>4KV (contact)
IEC 60947-5-2, Part 7.4.1 / IEC 60947-5-2, Part 7.4.2

POM	PBT
ECM1-1204N-ARU4	29
ECM1-1204N-BRU4	30
ECM1-1204P-ARU4	31
ECM1-1204P-BRU4	32
ECM1-1204P-SRU4	34
ECM1-1204N-SRU4	33
ECM1-1204C-ARU4	36
ECM1-1204C-BRU4	74

DC 2 wire type see page 17

Approx.31 g

M18	
●	○
8mm	16mm
nickel plated brass	
●	



10-30VDC
<10%
<10mA
200mA
<0.01mA
-
-
<1.5V

500HZ	150HZ
0.5ms/0.5ms	1ms/1ms
<15%	
<1.0%(Sr)	
IP67	
-25°C - +70°C	
<10%(Sr)	
YES	
220mA	
<10ms	

RFI>3V/m / EFT>1KV / ESD>4KV (contact)
IEC 60947-5-2, Part 7.4.1 / IEC 60947-5-2, Part 7.4.2

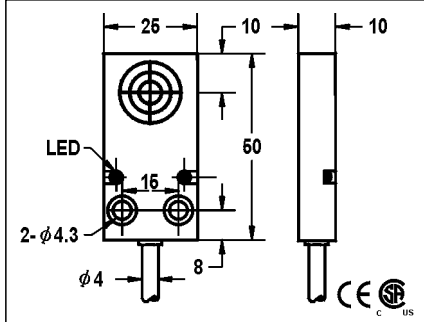
PBT	
ECM1-1808N-ARU4	29
ECM1-1808N-BRU4	30
ECM1-1808P-ARU4	31
ECM1-1808P-BRU4	32
ECM1-1808P-SRU4	34
ECM1-1808N-SRU4	33
ECM1-1808C-ARU4	36
ECM1-1808C-BRU4	74

DC 2 wire type see page 17

Approx.94 g Approx.91 g

DC EXTENDED SENSING DISTANCE PROXIMITY SWITCH SQUARE TYPE

Q25x50x10
●
8 mm
die-cast
●



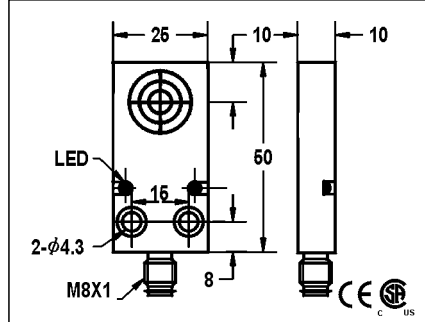
10-30VDC
<10%
<10mA
200mA
<0.01mA
-
-
<1.5V
500HZ
0.5ms/0.5ms
<15%
<1.0%(Sr)
IP67
-25 °C - +70 °C
<10%(Sr)
YES
220mA
<10ms
RFI>3V/m / EFT>1KV / ESD>4KV (contact)
IEC 60947-5-2,Part 7.4.1 / IEC 60947-5-2,Part 7.4.2
PBT

EQM1-2508N-A3U2	1
EQM1-2508N-B3U2	2
EQM1-2508P-A3U2	3
EQM1-2508P-B3U2	4
EQM1-2508P-S4U2	6
EQM1-2508N-S4U2	5
EQM1-2508C-A2U2	7
EQM1-2508C-B2U2	8

DC 2 wire type see page 17

4φ 3x0.15
Approx.90 g

Q25x50x10
●
8 mm
die-cast
●



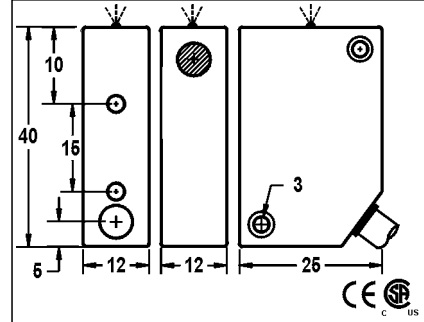
10-30VDC
<10%
<10mA
200mA
<0.01mA
-
-
<1.5V
500HZ
0.5ms/0.5ms
<15%
<1.0%(Sr)
IP67
-25 °C - +70 °C
<10%(Sr)
YES
220mA
<10ms
RFI>3V/m / EFT>1KV / ESD>4KV (contact)
IEC 60947-5-2,Part 7.4.1 / IEC 60947-5-2,Part 7.4.2
PBT

EQM1-2508N-ACU3	1
EQM1-2508N-BCU3	2
EQM1-2508P-ACU3	3
EQM1-2508P-BCU3	4
EQM1-2508P-SCU4	28
EQM1-2508N-SCU4	27
EQM1-2508C-ACU3	35
EQM1-2508C-BCU3	73

Approx.55 g

4φ 3x0.15
Approx.55 g

Q40x25x12	
●	○
4 mm	8 mm
ABS RESIN	
●	



10-30VDC	
<10%	
<10mA	
200mA	
<0.01mA	
-	
-	
<1.5V	
1KHZ	500HZ
0.2ms/0.2ms	0.5ms/0.5ms
<15%	
<1.0%(Sr)	
IP67	
-25 °C - +70 °C	
<10%(Sr)	
YES	
220mA	
<10ms	
RFI>3V/m / EFT>1KV / ESD>4KV (contact)	
IEC 60947-5-2,Part 7.4.1 / IEC 60947-5-2,Part 7.4.2	
-	

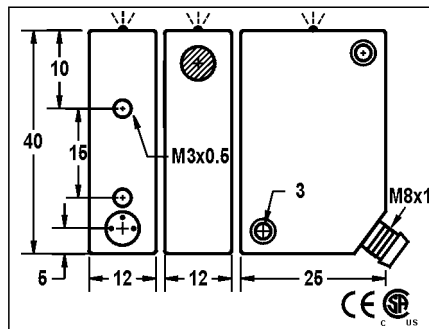
EQP1-4004N-A3U2	1	EQP2-4008N-A3U2
EQP1-4004N-B3U2	2	EQP2-4008N-B3U2
EQP1-4004P-A3U2	3	EQP2-4008P-A3U2
EQP1-4004P-B3U2	4	EQP2-4008P-B3U2
EQP1-4004P-S4U2	6	EQP2-4008P-S4U2
EQP1-4004N-S4U2	5	EQP2-4008N-S4U2
EQP1-4004C-A2U2	7	EQP2-4008C-A2U2
EQP1-4004C-B2U2	8	EQP2-4008C-B2U2

Approx.60 g

4φ 3x0.15
Approx.60 g

DC EXTENDED SENSING DISTANCE PROXIMITY SWITCH SQUARE TYPE

Q40x25x12	
●	○
4 mm	8 mm
ABS RESIN	
●	



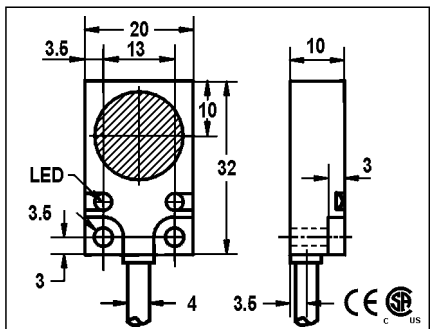
10-30VDC	
<10%	
<10mA	
200mA	
<0.01mA	
-	
-	
<1.5V	
1KHZ	500HZ
0.2ms/0.2ms	0.5ms/0.5ms
<15%	
<1.0%(Sr)	
IP67	
-25°C - +70°C	
<10%(Sr)	
YES	
220mA	
<10ms	
RFI>3V/m / EFT>1KV / ESD>4KV (contact)	
IEC 60947-5-2,Part 7.4.1 / IEC 60947-5-2,Part 7.4.2	

EQP1-4004N-ACU3	1	EQP2-4008N-ACU3	
EQP1-4004N-BCU3	2	EQP2-4008N-BCU3	
EQP1-4004P-ACU3	3	EQP2-4008P-ACU3	
EQP1-4004P-BCU3	4	EQP2-4008P-BCU3	
EQP1-4004P-SCU4	28	EQP2-4008P-SCU4	
EQP1-4004N-SCU4	27	EQP2-4008N-SCU4	

DC 2 wire type see page 17

Approx.55 g

Q20x32x10	
●	
8 mm	
die-cast	
●	



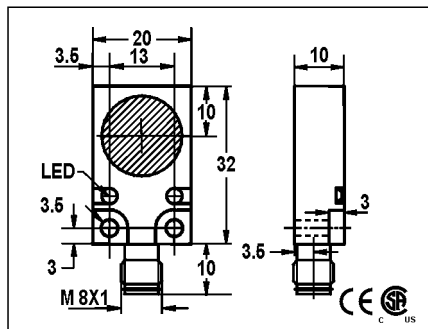
10-30VDC
<10%
<10mA
200mA
<0.01mA
-
-
<1.5V
500HZ
0.5ms/0.5ms
<15%
<1.0%(Sr)
IP67
-25°C - +70°C
<10%(Sr)
YES
220mA
<10ms
RFI>3V/m / EFT>1KV / ESD>4KV (contact)
IEC 60947-5-2,Part 7.4.1 / IEC 60947-5-2,Part 7.4.2

EQM1-2008N-A3U2	1
EQM1-2008N-B3U2	2
EQM1-2008P-A3U2	3
EQM1-2008P-B3U2	4
EQM1-2008P-S4U2	6
EQM1-2008N-S4U2	5
EQM1-2008C-A2U2	7
EQM1-2008C-B2U2	8

DC 2 wire type see page 17

4 φ3x0.15
Approx.55 g

Q20x32x10	
●	
8 mm	
die-cast	
●	



10-30VDC
<10%
<10mA
200mA
<0.01mA
-
-
<1.5V
500HZ
0.5ms/0.5ms
<15%
<1.0%(Sr)
IP67
-25°C - +70°C
<10%(Sr)
YES
220mA
<10ms
RFI>3V/m / EFT>1KV / ESD>4KV (contact)
IEC 60947-5-2,Part 7.4.1 / IEC 60947-5-2,Part 7.4.2

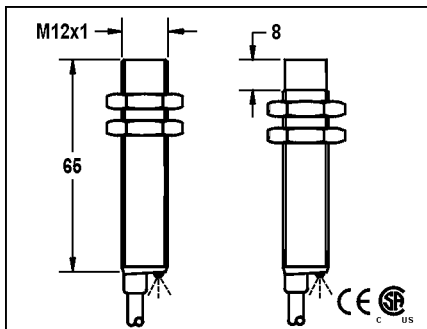
EQM1-2008N-ACU3	25
EQM1-2008N-BCU3	25
EQM1-2008P-ACU3	26
EQM1-2008P-BCU3	26
EQM1-2008P-SCU4	28
EQM1-2008N-SCU4	27

DC 2 wire type see page 17

Approx.30 g

AC STANDARD BODY WITH EXTENDED SENSING DISTANCE PROXIMITY SWITCH

M12	
●	○
4 mm	8 mm
nickel plated brass	
●	

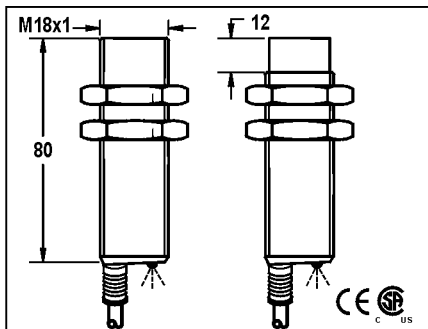


20-250VAC	
-	
<1.8mA	
400mA	
1.8mA	
5A(20ms)	
5mA	
<8VAC AT 400MA	
<25HZ	
10ms/10ms	
<15%	
<1.0%(Sr)	
IP67	
-25°C - +70°C	
<10%(Sr)	
-	
-	
-	
RFI>3V/m / EFT>1KV / ESD>4KV (contact)	
IEC 60947-5-2,Part 7.4.1 / IEC 60947-5-2,Part 7.4.2	
POM	PBT

ECM1-1204A-A3L2	11	ECM2-1208A-A3L2
ECM1-1204A-B3L2	12	ECM2-1208A-B3L2

4ϕ3x0.34	
Approx.77 g	Approx.76 g

M18	
●	○
8 mm	16 mm
nickel plated brass	
●	

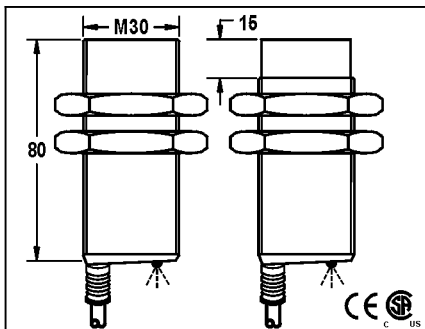


20-250VAC	
-	
<1.8mA	
400mA	
1.8mA	
5A(20ms)	
5mA	
<8VAC AT 400MA	
<25HZ	
10ms/10ms	
<15%	
<1.0%(Sr)	
IP67	
-25°C - +70°C	
<10%(Sr)	
-	
-	
-	
RFI>3V/m / EFT>1KV / ESD>4KV (contact)	
IEC 60947-5-2,Part 7.4.1 / IEC 60947-5-2,Part 7.4.2	
PBT	

ECM1-1808A-A3L2	11	ECM2-1816A-A3L2
ECM1-1808A-B3L2	12	ECM2-1816A-B3L2

5.0ϕ44x0.1	
Approx.161 g	Approx.160 g

M30	
●	○
16 mm	25 mm
nickel plated brass	
●	



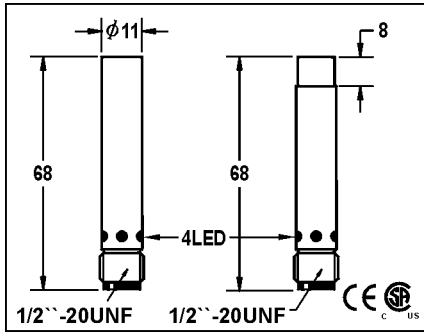
20-250VAC	
-	
<1.8mA	
400mA	
1.8mA	
5A(20ms)	
5mA	
<8VAC AT 400MA	
<25HZ	
10ms/10ms	
<15%	
<1.0%(Sr)	
IP67	
-25°C - +70°C	
<10%(Sr)	
-	
-	
-	
RFI>3V/m / EFT>1KV / ESD>4KV (contact)	
IEC 60947-5-2,Part 7.4.1 / IEC 60947-5-2,Part 7.4.2	
PBT	

ECM1-3016A-A3L2	11	ECM2-3025A-A3L2
ECM1-3016A-B3L2	12	ECM2-3025A-B3L2

5.8ϕ3x0.5	
Approx.247 g	Approx.237 g

AC STANDARD BODY WITH EXTENDED SENSING DISTANCE CONNECTOR TYPE

Φ11	
●	○
4 mm	8 mm
nickel plated brass	
●	



20-250VAC	
-	
<1.8mA	
400mA	
1.8mA	
5A(20ms)	
5mA	
<8VAC AT 400MA	
<25HZ	
10ms/10ms	
<15%	
<1.0%(Sr)	
IP67	
-25°C - +70°C	
<10%(Sr)	
-	
-	
-	
RFI>3V/m / EFT>1KV / ESD>4KV (contact)	
IEC 60947-5-2,Part 7.4.1 / IEC 60947-5-2,Part 7.4.2	

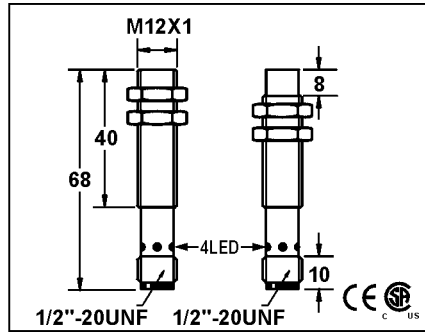
POM	

ECM1-D1104A-AUL3	51	ECM2-D1108A-AUL3
ECM1-D1104A-BUL3	51	ECM2-D1108A-BUL3



Approx.30 g	Approx.29 g
-------------	-------------

M12	
●	○
4 mm	8 mm
nickel plated brass	
●	



20-250VAC	
-	
<1.8mA	
400mA	
1.8mA	
5A(20ms)	
5mA	
<8VAC AT 400MA	
<25HZ	
10ms/10ms	
<15%	
<1.0%(Sr)	
IP67	
-25°C - +70°C	
<10%(Sr)	
-	
-	
-	
RFI>3V/m / EFT>1KV / ESD>4KV (contact)	
IEC 60947-5-2,Part 7.4.1 / IEC 60947-5-2,Part 7.4.2	

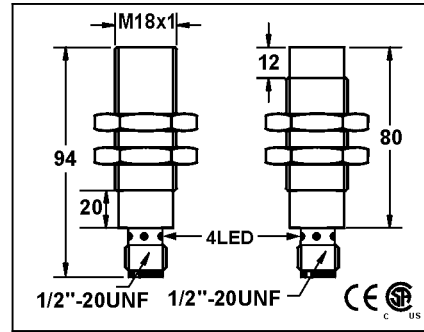
POM		PBT	

ECM1-1204A-AUL3	51	ECU2-1208A-AUL3
ECM1-1204A-BUL3	51	ECM2-1208A-BUL3



Approx.30 g	Approx.29 g
-------------	-------------

M18	
●	○
8 mm	16 mm
nickel plated brass	
●	



20-250VAC	
-	
<1.8mA	
400mA	
1.8mA	
5A(20ms)	
5mA	
<8VAC AT 400MA	
<25HZ	
10ms/10ms	
<15%	
<1.0%(Sr)	
IP67	
-25°C - +70°C	
<10%(Sr)	
-	
-	
-	
RFI>3V/m / EFT>1KV / ESD>4KV (contact)	
IEC 60947-5-2,Part 7.4.1 / IEC 60947-5-2,Part 7.4.2	

PBT	

ECM1-1808A-AUL3	51	ECM2-1816A-AUL3
ECM1-1808A-BUL3	51	ECM2-1816A-BUL3



Approx.94 g	Approx.91 g
-------------	-------------

