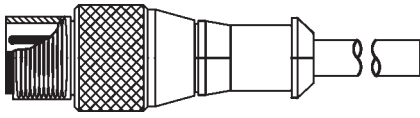
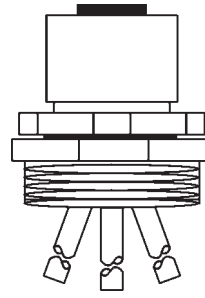


EURO-STYLE INDEX



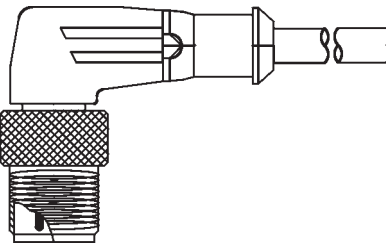
Page:D-02

Euro-style/Male/Straight



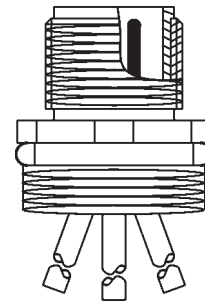
Page:D-06

Euro-style/Female/Straight



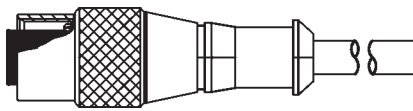
Page:D-03

Euro-style/Male/Right Angle



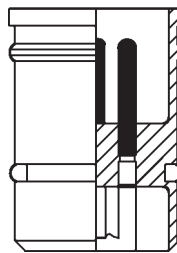
Page:D-07

Euro-style/Male/Straight



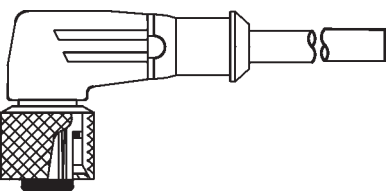
Page:D-04

Euro-style/Female/Straight



Page:D-08

Euro-style/Male/Straight



Page:D-05

Euro-style/Female/Right Angle

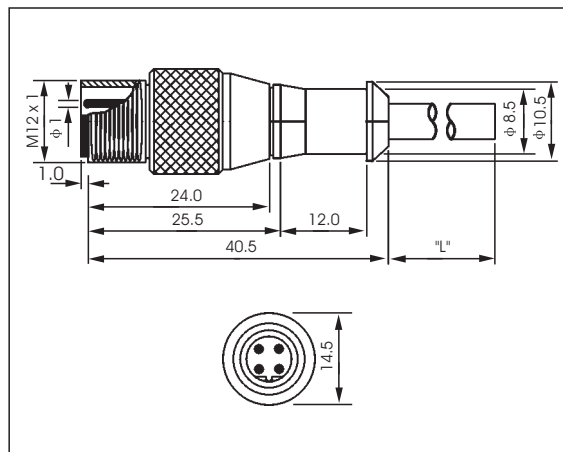
EURO-STYLE QUICK DISCONNECT CABLES

View



- B-type screw locking with(auto) securing safety nut
- With moulded cable
- PVC offers good resistance to oils and chemicals

Dimensional data



Technical Data

Application Class: HNA acc. to DIN 40040
(-25 °C / +110 °C / ≤ 75%rF)

Moulded Body: TPU, self-extinguishing

Nominal Power: 4A

Nominal Voltage: 250VAC/300VDC

Contact: CuZn, pre-nickeled and 0.8 microns gold-plated

Body: TPU, self-extinguishing

Securing Safety Nut: CuZn, brass, nickeled

Protection: IP 67

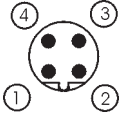
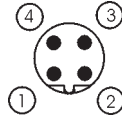
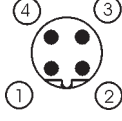

Insulation Group: C acc.to VDE 0110

Test Voltage: 2.0 KV eff./60s.

Insulation Resistance: >10⁹Ω

CSA certified: 219967

Catalog Number

Part-No	Poles	Face View male	Color Code	Conductors		Outer Jacket	
				Guage	Stranding	φ mm	Material
B-MS4/3TZV262	4		1=black 2=blue 3=- 4=green/yellow (GND)	0.34mm ²	42 x φ0.10	5.0	PVC
B-MS4/3TZV272/B	4		1=brown 2=blue 3=- 4=green/yellow	0.34mm ²	42 x φ0.10	5.0	PVC
B-MS4TZV282	4		1=brown 2=blue 3=black 4=green/yellow	0.34mm ²	42 x φ0.10	5.5	PVC
B-MS5TZV292	5		1=brown 2=white 3=blue 4=black 5=green/yellow	0.34mm ²	42 x φ0.10	6.0	PVC

Standard length: 2.0 m, 5.0 m, 7.5 m, 10.0 m. Other cable length or cable specifications on request.

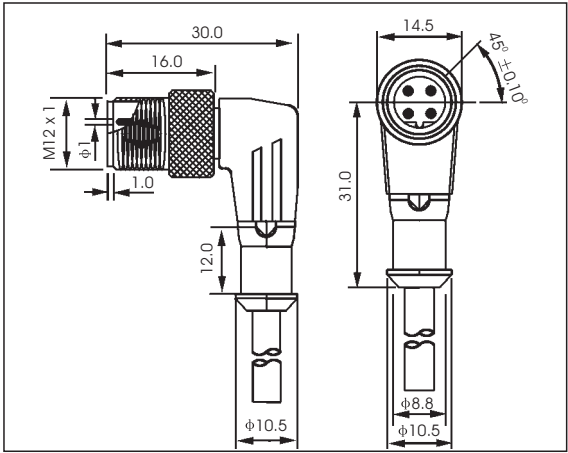
EURO-STYLE QUICK DISCONNECT CABLES

View



- B-type screw locking with (auto) securing safety nut
- With moulded cable
- PVC offers good resistance to oils and chemicals

Dimensional data



Technical Data

Application Class: HNA acc. to DIN 40040
 (-25 °C / +90 °C / ≤ 100%rF)

Moulded Body: TPU, self-extinguishing

Nominal Power: 4A

Nominal Voltage: 250VAC/300VDC

Contact: CuZn, pre-nickeled and 0.8 microns gold-plated

Body: TPU, self-extinguishing

Securing Safety Nut: CuZn, brass, nicked

Protection: IP 67

Insulation Group: C acc.to VDE 0110

Test Voltage: 2.0 KV eff./60s.

Insulation Resistance: >10⁹ Ω

CSA certified: 219967

Catalog Number

Part-No	Poles	Face View male	Color Code	Conductors		Outer Jacket	
				Guage	Stranding	φ mm	Material
B-MA4/3TZV262	4		1=black 2=blue 3=- 4=yellow/green (GND)	0.34mm ²	42 x φ 0.10	5.0	PVC
B-MA4/3TZV272/B	4		1=brown 2=blue 3=- 4=green/yellow	0.34mm ²	42 x φ 0.10	5.0	PVC
B-MA4TZV282	4		1=brown 2=blue 3=black 4=green/yellow	0.34mm ²	42 x φ 0.10	5.5	PVC
B-MA5TZV292	5		1=brown 2=white 3=blue 4=black 5=green/yellow	0.34mm ²	42 x φ 0.10	6.0	PVC

Standard length: 2.0 m, 5.0 m, 7.5 m, 10.0 m. Other cable length or cable specifications on request.

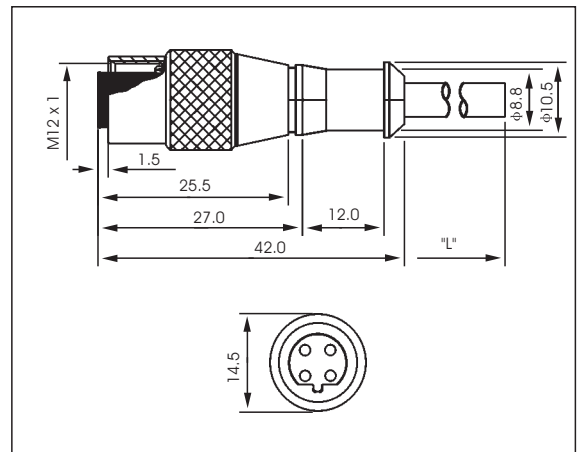
EURO-STYLE QUICK DISCONNECT CABLES

View



- Female B-type screw locking with (auto) securing safety nut
- With moulded cable
- PVC offers good resistance to oils and chemicals

Dimensional data



Technical Data

Application Class: HNA acc. to DIN 40040
 (-25 °C / +90 °C / ≤ 100%rF)

Moulded Body: TPU, self-extinguishing

Nominal Power: 4A

Nominal Voltage: 250VAC/300VDC

Contact: CuZn, pre-nickeled and 0.8 microns gold-plated

Body: TPU, self-extinguishing

Securing Safety Nut: CuZn, brass, nickeled

O-Ring: Viton

Protection: IP 67

Insulation Group: C acc.to VDE 0110

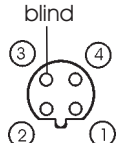
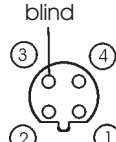
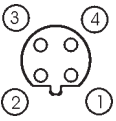
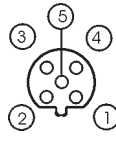
Test Voltage: 2.0 KV eff./60s.

Insulation Resistance: > 10⁹Ω

Contact Resistance: ≤ 5 mΩ

CSA certified: 219967

Catalog Number

Part-No	Poles	Face View female	Color Code	Conductors		Outer Jacket	
				Guage	Stranding	φ mm	Material
B-FS4/3TZV262	4	blind 	1=black 2=blue 3=- 4=yellow/green (GND)	0.34mm ²	42xφ0.10	5.0	PVC
B-FS4/3TZV272/B	4	blind 	1=brown 2=blue 3=- 4=green/yellow	0.34mm ²	42xφ0.10	5.0	PVC
B-FS4TZV282	4		1=brown 2=blue 3=black 4=green/yellow	0.34mm ²	42xφ0.10	5.5	PVC
B-FS5TZV292	5		1=brown 2=white 3=blue 4=black 5=green/yellow (GND)	0.34mm ²	42xφ0.10	6.0	PVC

Standard length: 2.0 m, 5.0 m, 7.5 m, 10.0 m. Other cable length or cable specifications on request.

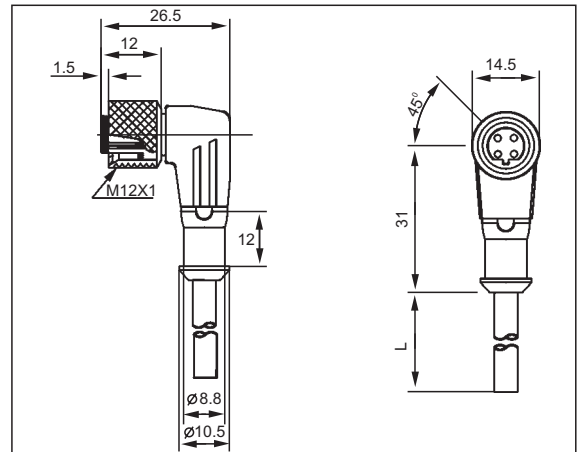
EURO-STYLE QUICK DISCONNECT CABLES

View



- Female B-type Screw locking with (auto) securing safety nut,
- With moulded cable
- PVC offers good resistance to oils and chemicals

Dimensional data



Technical Data

Application Class: HNA acc. to DIN 40040
(-25 °C / +90 °C / ≤ 100%rF)

Moulded Body: TPU, self-extinguishing

Nominal Power: 4A

Nominal Voltage: 250VAC/300VDC

Contact: CuZn, pre-nickel and 0.8 microns gold-plated

Body: TPU, self-extinguishing

Securing Safety Nut: CuZn, brass, nicked

O-Ring: Viton

Protection: IP 67

Insulation Group: C acc.to VDE 0110

Test Voltage: 2.0 KV eff./60s.

Insulation Resistance: > 10⁹ Ω

Contact Resistance: ≤ 5 m Ω

CSA certified: 219967

Catalog Number

Part-No	Poles	Face View female	Color Code	Conductors		Outer Jacket	
				Guage	Stranding	φ mm	Material
B-FA4/3TZV262	4	blind 	1=black 2=blue 3=- 4=yellow/green (GND)	0.34mm ²	42 x φ0.10	5.0	PVC
B-FA4/3TZV272/B	4	blind 	1=brown 2=blue 3=- 4=green/yellow	0.34mm ²	42 x φ0.10	5.0	PVC
B-FA4TZV282	4		1=brown 2=blue 3=black 4=green/yellow	0.34mm ²	42 x φ0.10	5.5	PVC
B-FA5TZV292	5		1=brown 2=white 3=blue 4=black 5=green/yellow (GND)	0.34mm ²	42 x φ0.10	6.0	PVC

Standard length: 2.0 m, 5.0 m, 7.5 m, 10.0 m. Other cable length or cable specifications on request.

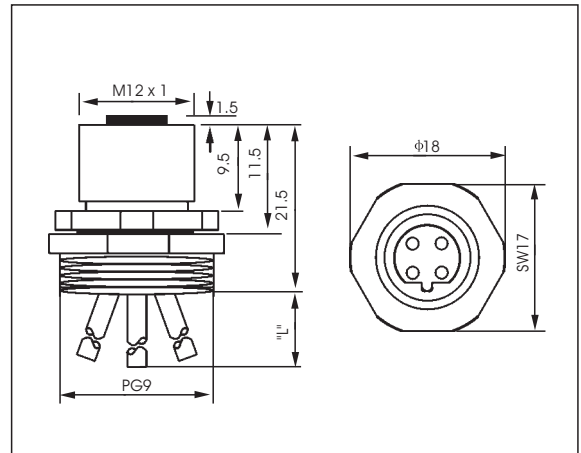
EURO-STYLE QUICK DISCONNECT CABLES

View



- Female B-type receptacle
- Front mounting, wire ends, thread chassis side PG9
- Back mounting with nut RMF9(see page C-34)
- Solder contacts potted with epoxy

Dimensional data



Technical Data

Application Class: HNA acc. to DIN 40040

(-25 °C / +90 °C / ≤ 100%rF)

Moulded Body: TPU, self-extinguishing

Nominal Power: 4A

Nominal Voltage: 250VAC/300VDC

Contact: CuZn, pre-nickel and 0.8 microns gold-plated

Body: TPU, self-extinguishing

Receptacle Housing: CuZn, brass, nickel

O-Ring: Viton

Protection: IP 67

Insulation Group: C acc. to VDE 0110

Test Voltage: 2.0 KV eff./60s.

Insulation Resistance: > 10⁹ Ω

Contact Resistance: ≤ 5 m Ω

CSA certified: 219967

Catalog Number

Part-No	Poles	Face View female	Color Code	Conductors		Conductor insulation φ mm(single)
				Guage	Stranding	
B-FS4/3FZ/0.5/PG9/B	4		1=brow 2=blue 3=- 4=green/yellow	0.34mm ²	42x φ 0.10	1.6
				0.50mm ²	16x φ 0.20	1.8
B-FS4/3FZ/0.5/PG9	4		1=black 2=blue 3=- 4=yellow/green (GND)	0.34mm ²	42x φ 0.10	1.6
				0.50mm ²	16x φ 0.20	1.8
B-FS4FZ/0.5/PG9	4		1=brow 2=blue 3=black 4=green/yellow	0.34mm ²	42x φ 0.10	1.6
				0.50mm ²	16x φ 0.20	1.8
B-FS5FZ/0.5/PG9	5		1=brown 2=white 3=blue 4=black 5=green/yellow (GND)	0.34mm ²	42x φ 0.10	1.6
				0.50mm ²	16x φ 0.20	1.8

Standard length: 0.5m. Other cable length or cable specifications on request.

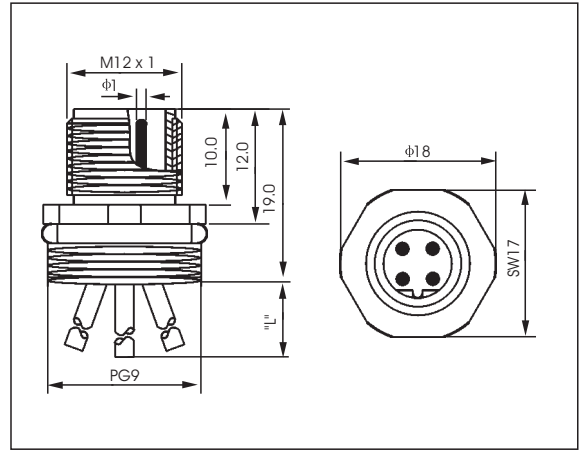
EURO-STYLE QUICK DISCONNECT CABLES

View



- Male B-type receptacle
- Front mounting, wire ends, thread chassis side PG9
- Back mounting with nut RMF9(see page C-34)
- Solder contacts potted with epoxy

Dimensional data



Technical Data

Application Class: HNA acc. to DIN 40040
(-25 °C / +90 °C / ≤ 100%rF)

Moulded Body: TPU, self-extinguishing

Nominal Power: 4A

Nominal Voltage: 250VAC/300VDC

Contact: CuZn, pre-nickel and 0.8 microns gold-plated

Body: TPU, self-extinguishing

Receptacle Housing: CuZn, brass, nickeled

O-Ring: Viton

Protection: IP 67

Insulation Group: C acc.to VDE 0110

Test Voltage: 2.0 KV eff./60s.

Insulation Resistance: > 10⁹ Ω

CSA certified: 219967

Catalog Number

Part-No	Poles	Face View male	Color Code	Conductors		Conductor insulation φ mm(single)
				Guage	Stranding	
B-MS4/3FZ/0.5/PG9	4		1=black 2=blue 3=- 4=yellow/green (GND)	0.34mm ²	42x φ 0.10	1.6
				0.50mm ²	16x φ 0.20	1.8
B-MS4FZ/0.5/PG9	4		1=brown 2=blue 3=black 4=green/yellow	0.34mm ²	42x φ 0.10	1.6
				0.50mm ²	16x φ 0.20	1.8
B-MS5FZ/0.5/PG9	5		1=brown 2=white 3=blue 4=black 5=green/yellow (GND)	0.34mm ²	42x φ 0.10	1.6
				0.50mm ²	16x φ 0.20	1.8

Standard length: 0.5m. Other cable lengths or cable specification on request.

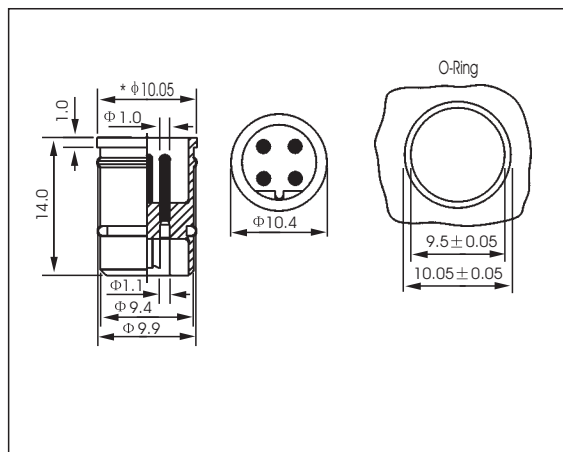
EURO-STYLE QUICK DISCONNECT RECEPTACLES

View



- B-type plug insert for proximity switch M12,
- "S" larger shaft diameter "L" with ventilation hole

Dimensional data



Technical Data

Application Class: HNA acc. to DIN 40040
(-25 °C / +110 °C / ≤ 75%rF)

Moulded Body: PA, self-extinguishing

Nominal Voltage: 60VAC/75VDC
250VAC/300VDC (Solder Contacts potted with epoxy)

Contact: CuZn, pre-nickel and 0.8 microns gold-plated

Nominal Power: 4A

Mode of Connection: Solder types

O-Ring: Viton

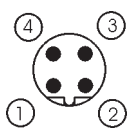
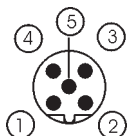
Max. Wire Section: Single conductor 0.75mm²
Stranded wire 0.50mm²

Test Voltage: 2.0 KV eff./60s.

Insulation Resistance: > 10⁹ Ω

CSA certified: 219967

Catalog Number

Part-No	Poles	Face View male	Shaft- φ mm	Ventilation hole φ mm
B-MS4			9.55mm/9.4mm	—
B-MS4S	4		10.05mm/9.9mm	—
B-MS4L			9.55mm/9.4mm	2.0mm
B-MS5			9.55mm/9.4mm	—
B-MS5S	5		10.05mm/9.9mm	—