
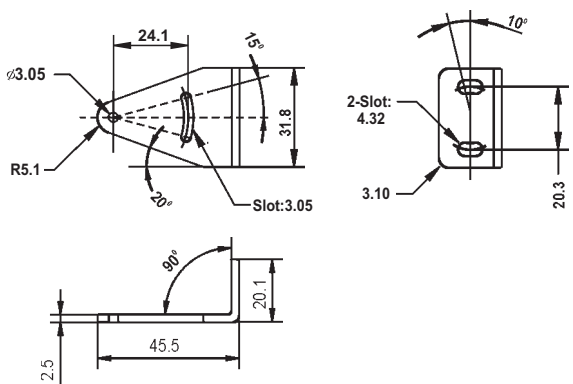

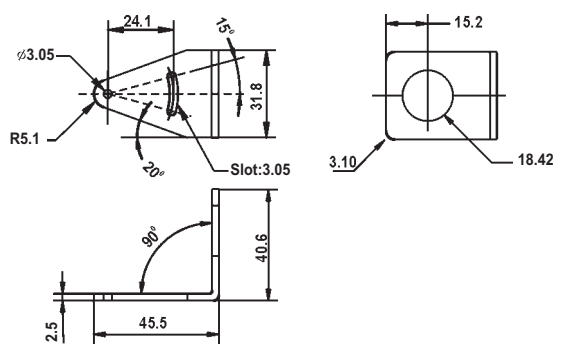

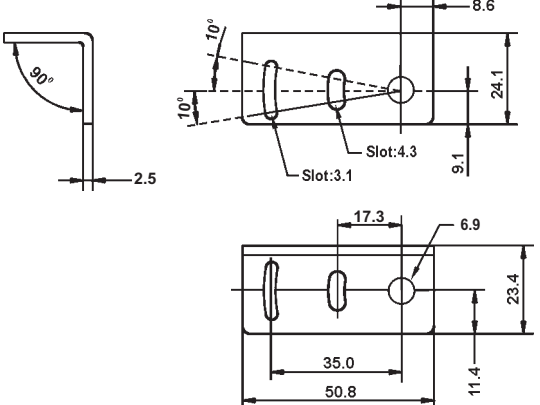

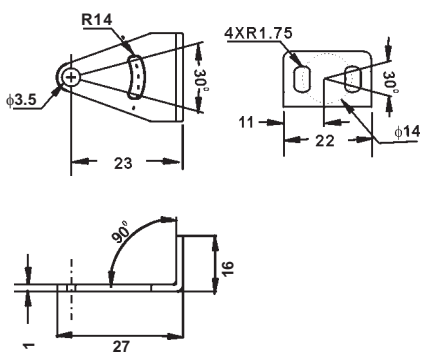

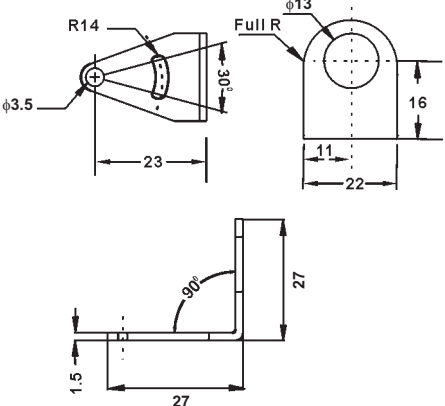

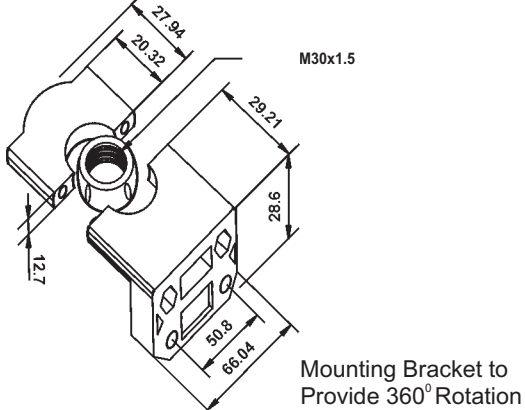
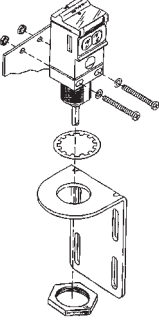
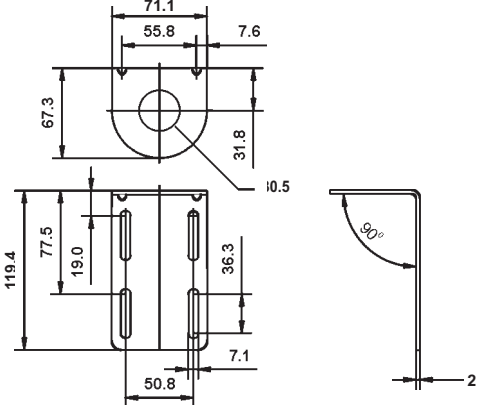
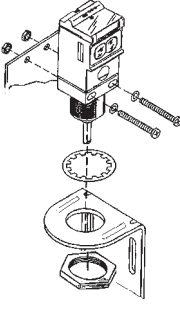
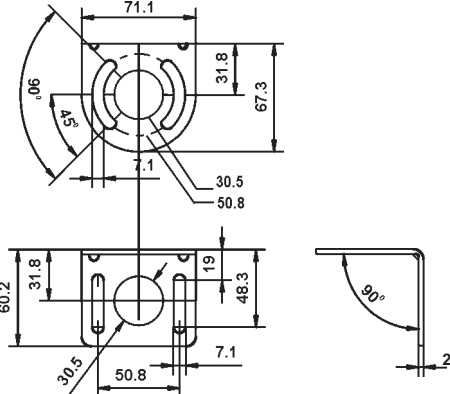



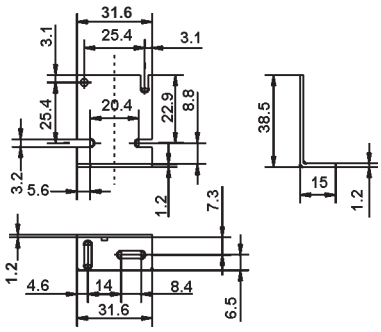

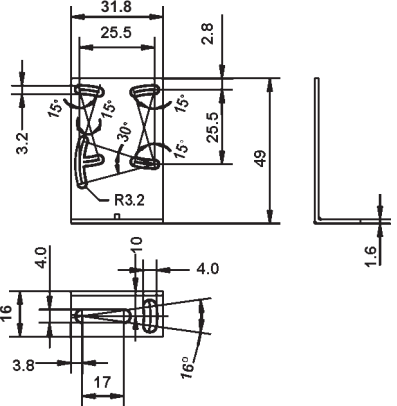

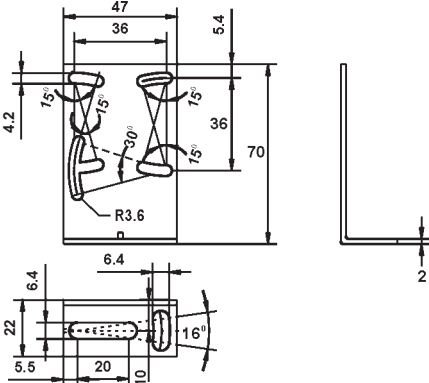

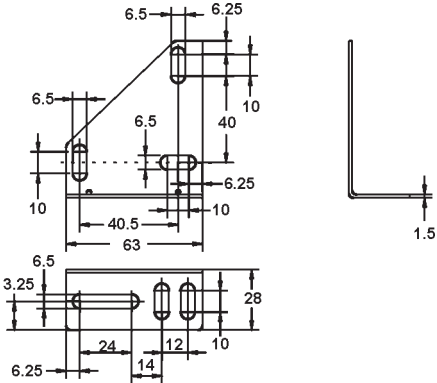
## ACCESSORIES BRACKETS

Model	Dimensions
<p><b>Mini-A1</b></p> 	
<p><b>Mini-A2</b></p> 	
<p><b>Mini-A3</b></p> 	
<p><b>Miniature-beam2-A1</b></p> 	


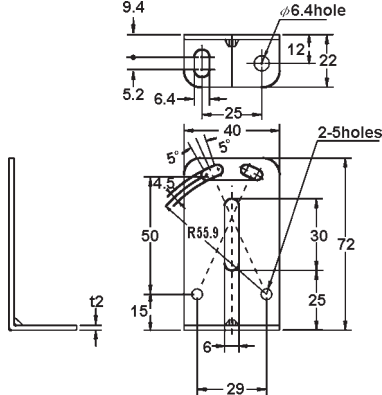

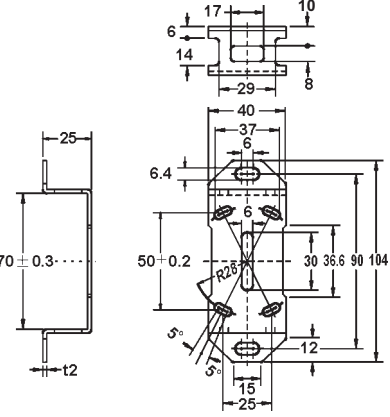

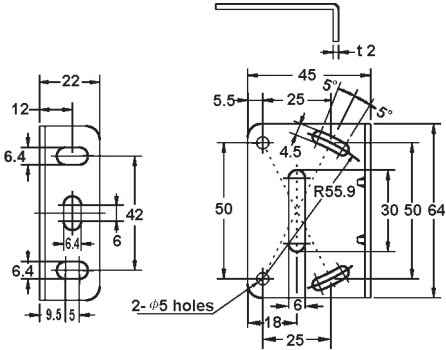

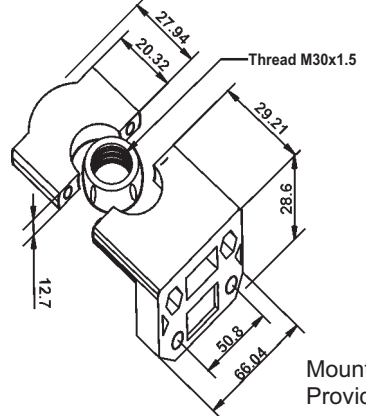
## ACCESSORIES BRACKETS

Model	Dimensions
<p><b>Miniature-beam2-A2</b></p> 	
<p><b>RP74-A1</b></p> 	 <p>M30x1.5</p> <p>Mounting Bracket to Provide 360° Rotation</p>
<p><b>RP74-A2</b></p> 	
<p><b>RP74-A</b></p> 	

## ACCESSORIES BRACKETS

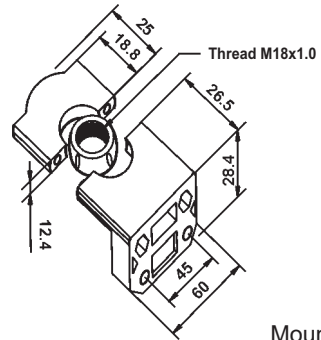
Model	Dimensions
<p data-bbox="220 353 338 385"><b>RP32-A1</b></p> 	
<p data-bbox="213 790 335 822"><b>RP43-A1</b></p> 	
<p data-bbox="213 1223 338 1254"><b>RP64-A1</b></p> 	
<p data-bbox="213 1659 335 1691"><b>RP76-A1</b></p> 	

## ACCESSORIES BRACKETS

Model	Dimensions
<p>RS62-A1</p> 	
<p>RS62-A2</p> 	
<p>RS62-A3</p> 	
<p>M30/D30-A1</p> 	 <p>Mounting Bracket to Provide 360° Rotation</p>

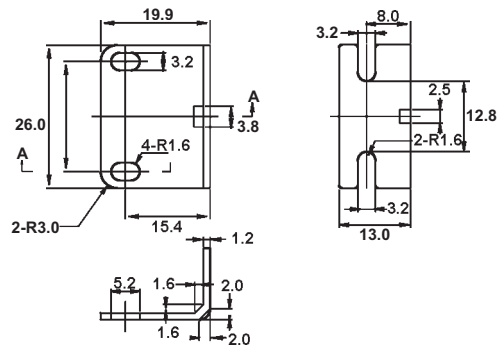
## ACCESSORIES BRACKETS

M18-A1



Mounting Bracket to Provide 360°Rotation

ASP1-A1



ASP1-A2

