

PART E-01 ~ E-12

Diameter

● Shielded ○ non-Shielded

Switching Distance Sn mm

Housing Material

● With LED ○ Without LED

Dimensions (unit: mm)

Operating Voltage

Ripple

No Load Current

Max. Load Current

Leakge Current

Surge Current

Min. Load Current

Voltage Drop

Switching Frequency

Response Time

Switching Hysteresis

Repeat Accuracy

Protection Category

Operating Temperature

Temperature Drift

Short Circuit Protection

Overload Trip Point

Time Delay Before Availability

EMC

Shock / Vibration

Material Active Face

DC 3 wire 10-30V NPN N.O.

DC 3 wire 10-30V NPN N.C.

DC 3 wire 10-30V PNP N.O.

DC 3 wire 10-30V PNP N.C.

DC 4 wire 10-30V Changeover PNP (N.O. & N.C.)

DC 4 wire 10-30V Changeover NPN (N.O. & N.C.)

DC 2 wire 10-60V N.O.

DC 2 wire 10-60V N.C.

DC 3 wire 10-55v NPN N.O. or NAMUR

DC 3 wire 10-55v NPN N.C.

DC 3 wire 10-55v PNP N.O.

DC 3 wire 10-55v PNP N.C.

AC 2 wire 20-250V N.O.

AC 2 wire 20-250V N.C.

AC 2 wire 20-250V N.O. or N.C. Changeable

AC/DC 2 wire 20-250V N.O.

AC/DC 2 wire 20-250V N.C.

AC/DC 2 wire 20-250V N.O. or N.C. Changeable

Remark

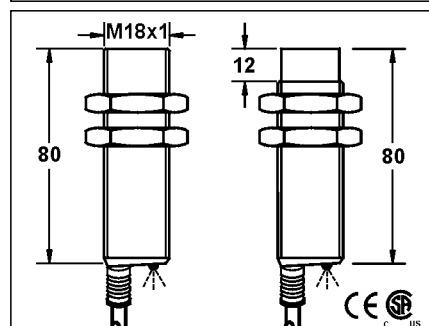
Cable 2M (PVC)

Weight

Please put each catalog page in the blank. The specification on the left will help your reading.

AC/DC INDUCTIVE PROXIMITY SWITCH

M 18	
●	○
5 mm	8 mm
stainless steel or nickel plated brass	
●	

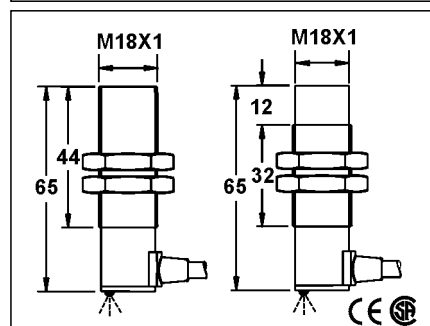


20-250 VAC, 50-60 Hz; 20-250 VDC
DC RIPPLE <10%
<2.5mA
200mA
<2.5mA
2.2A for 20ms
5mA
<=10 VAC : <=8 VDC
25HZ AC; 40 Hz DC
10ms/10ms
<15%(Sr)
<1.0% (Sr)
IP67
-25 °C - +70 °C
<10% (Sr)
YES
-
-
RFI>3V/m / EFT>1KV / ESD>4KV (contact)
IEC 60947-5-2,Part 7.4.1 / IEC 60947-5-2,Part 7.4.2
PBT

FCM1-1805U-A3U2	11	FCM2-1808U-A3U2
FCM1-1805U-B3U2	12	FCM2-1808U-B3U2

5.0 φ44x0.1	
Approx.161 g	Approx.160 g

M 18	
●	○
5 mm	8 mm
stainless steel or nickel plated brass	
●	

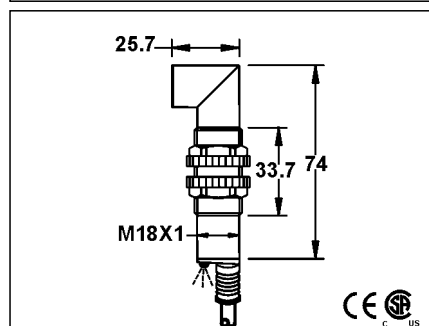


20-250 VAC, 50-60 Hz; 20-250 VDC
DC RIPPLE <10%
<2.5mA
200mA
<2.5mA
2.2A for 20ms
5mA
<=10 VAC : <=8 VDC
25HZ AC; 40 Hz DC
10ms/10ms
<15%(Sr)
<1.0% (Sr)
IP67
-25 °C - +70 °C
<10% (Sr)
YES
-
-
RFI>3V/m / EFT>1KV / ESD>4KV (contact)
IEC 60947-5-2,Part 7.4.1 / IEC 60947-5-2,Part 7.4.2
PBT

FCM1-1805U-A3U2Y	11	FCM2-1808U-A3U2Y
FCM1-1805U-B3U2Y	12	FCM2-1808U-B3U2Y

5.0 φ44x0.1	
Approx.161 g	Approx.160 g

M 18	
●	○
5 mm	8 mm
stainless steel or nickel plated brass	
●	



20-250 VAC, 50-60 Hz; 20-250 VDC
DC RIPPLE <10%
<2.5mA
200mA
<2.5mA
2.2A for 20ms
5mA
<=10 VAC : <=8 VDC
25HZ AC; 40 Hz DC
10ms/10ms
<15%(Sr)
<1.0% (Sr)
IP67
-25 °C - +70 °C
<10% (Sr)
YES
-
-
RFI>3V/m / EFT>1KV / ESD>4KV (contact)
IEC 60947-5-2,Part 7.4.1 / IEC 60947-5-2,Part 7.4.2
PBT

FCM1-1805U-A3U2Z	11	FCM2-1808U-A3U2Z
FCM1-1805U-B3U2Z	12	FCM2-1808U-B3U2Z

5.0 φ44x0.1	
Approx.161 g	Approx.160 g

AC/DC INDUCTIVE PLASTIC HOUSING PROXIMITY SWITCH

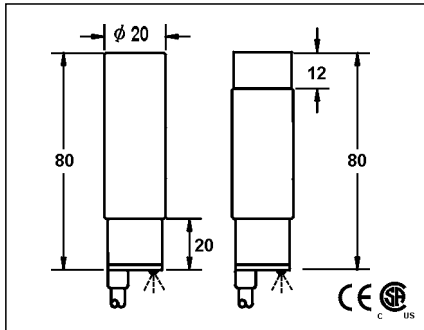
M 18		
5 mm	8 mm	
PBT RESIN		
20-250 VAC, 50-60 Hz; 20-250 VDC DC RIPPLE <10% <2.5mA 200mA <2.5mA 2.2A for 20ms 5mA <=10 VAC ;<=8 VDC 25HZ AC; 40 Hz DC 10ms/10ms <15% (Sr) <1.0% (Sr) IP67 -25 °C - +70 °C <10% (Sr) YES - - RFI>3V/m / EFT>1KV / ESD>4KV (contact) IEC 60947-5-2,Part 7.4.1 / IEC 60947-5-2,Part 7.4.2 PBT		
FCP1-1805U-A2U2	9	FCP2-1808U-A2U2
FCP1-1805U-B2U2	10	FCP2-1808U-B2U2
5.0 φ 44x0.1		
Approx.124 g		

M 18		
5 mm	8 mm	
PBT RESIN		
20-250 VAC, 50-60 Hz; 20-250 VDC DC RIPPLE <10% <2.5mA 200mA <2.5mA 2.2A for 20ms 5mA <=10 VAC ;<=8 VDC 25HZ AC; 40 Hz DC 10ms/10ms <15% (Sr) <1.0% (Sr) IP67 -25 °C - +70 °C <10% (Sr) YES - - RFI>3V/m / EFT>1KV / ESD>4KV (contact) IEC 60947-5-2,Part 7.4.1 / IEC 60947-5-2,Part 7.4.2 PBT		
FCP1-1805U-A2U2Y	9	FCP2-1808U-A2U2Y
FCP1-1805U-B2U2Y	10	FCP2-1808U-B2U2Y
5.0 φ 44x0.1		
Approx.124 g		

M 18		
5 mm	8 mm	
PBT RESIN		
20-250 VAC, 50-60 Hz; 20-250 VDC DC RIPPLE <10% <2.5mA 200mA <2.5mA 2.2A for 20ms 5mA <=10 VAC ;<=8 VDC 25HZ AC; 40 Hz DC 10ms/10ms <15% (Sr) <1.0% (Sr) IP67 -25 °C - +70 °C <10% (Sr) YES - - RFI>3V/m / EFT>1KV / ESD>4KV (contact) IEC 60947-5-2,Part 7.4.1 / IEC 60947-5-2,Part 7.4.2 PBT		
FCP1-1805U-A2U2Z	11	FCP2-1808U-A2U2Z
FCP1-1805U-B2U2Z	12	FCP2-1808U-B2U2Z
5.0 φ 44x0.1		
Approx.124 g		

AC/DC INDUCTIVE PLASTIC HOUSING PROXIMITY SWITCH

φ20	
●	○
5 mm	8 mm
PBT RESIN	
●	

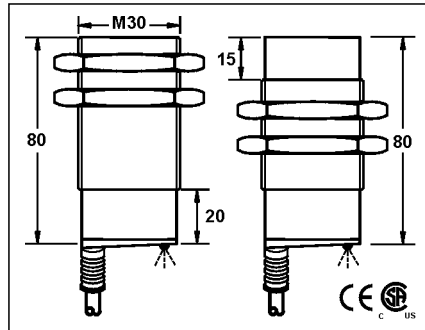


20-250 VAC, 50-60 Hz; 20-250 VDC	
DC RIPPLE <10%	
<2.5mA	
200mA	
<2.5mA	
2.2A for 20ms	
5mA	
≤10 VAC : ≤8 VDC	
25HZ AC; 40 Hz DC	
10ms/10ms	
<15% (Sr)	
<1.0% (Sr)	
IP67	
-25 °C - +70 °C	
<10% (Sr)	
YES	
-	
-	
RFI>3V/m / EFT>1KV / ESD>4KV (contact)	
IEC 60947-5-2,Part 7.4.1 / IEC 60947-5-2,Part 7.4.2	
PBT	

FCP1-D2005U-A2U2	9	FCP2-D2008U-A2U2
FCP1-D2005U-B2U2	10	FCP2-D2008U-B2U2

4 φ 2x0.34
Approx.68 g

M 30	
●	○
10 mm	15 mm
PBT RESIN	
●	

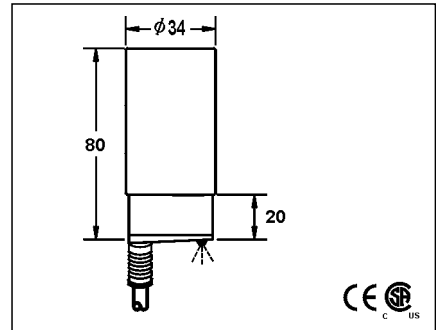


20-250 VAC, 50-60 Hz; 20-250 VDC	
DC RIPPLE <10%	
<2.5mA	
200mA	
<2.5mA	
2.2A for 20ms	
5mA	
≤10 VAC : ≤8 VDC	
25HZ AC; 40 Hz DC	
10ms/10ms	
<15% (Sr)	
<1.0% (Sr)	
IP67	
-25 °C - +70 °C	
<10% (Sr)	
YES	
-	
-	
RFI>3V/m / EFT>1KV / ESD>4KV (contact)	
IEC 60947-5-2,Part 7.4.1 / IEC 60947-5-2,Part 7.4.2	
PBT	

FCP1-3010U-A2U2	9	FCP2-3015U-A2U2
FCP1-3010U-B2U2	10	FCP2-3015U-B2U2

4 φ 2x0.34
Approx.68 g

φ 34	
●	○
15 mm	20 mm
PBT RESIN	
●	



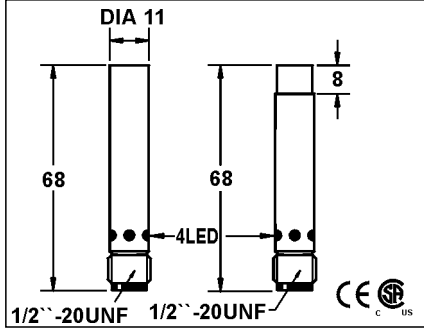
20-250 VAC, 50-60 Hz; 20-250 VDC	
DC RIPPLE <10%	
<2.5mA	
200mA	
<2.5mA	
2.2A for 20ms	
5mA	
≤10 VAC : ≤8 VDC	
25HZ AC; 40 Hz DC	
10ms/10ms	
<15% (Sr)	
<1.0% (Sr)	
IP67	
-25 °C - +70 °C	
<10% (Sr)	
YES	
-	
-	
RFI>3V/m / EFT>1KV / ESD>4KV (contact)	
IEC 60947-5-2,Part 7.4.1 / IEC 60947-5-2,Part 7.4.2	
PBT	

FCP1-D3415U-A2U2	9	FCP2-D3420U-A2U2
FCP1-D3415U-B2U2	10	FCP2-D3420U-B2U2

4 φ 2x0.34
Approx.124 g

AC/DC INDUCTIVE PROXIMITY SWITCH CONNECTOR TYPE

φ11	
●	○
2 mm	4 mm
stainless steel or nickel plated brass	
●	



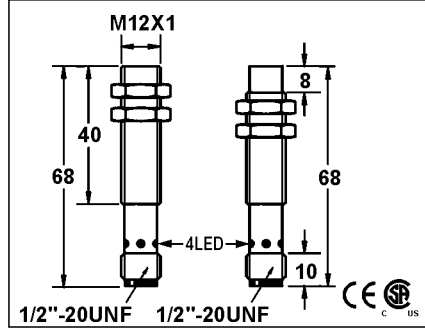
20-250 VAC, 50-60 Hz; 20-250 VDC	
DC RIPPLE <10%	
<2.5mA	
100mA	
<2.5mA	
2.2A for 20ms	
5mA	
<=10 VAC ; <=8 VDC	
25HZ AC; 40 Hz DC	
10ms/10ms	
<15%(Sr)	
<1.0% (Sr)	
IP67	
-25 °C - +70 °C	
<10% (Sr)	
YES (DC 20-30V only)	
-	
RFI>3V/m / EFT>1KV / ESD>4KV (contact)	
IEC 60947-5-2,Part 7.4.1 / IEC 60947-5-2,Part 7.4.2	
PBT	

FCM1-D1102U-AUU3	52	FCM2-D1104U-AUU3
FCM1-D1102U-BUU3	52	FCM2-D1104U-BUU3

--	--

Approx.30 g	Approx.29 g
-------------	-------------

M 12	
●	○
2 mm	4 mm
stainless steel or nickel plated brass	
●	



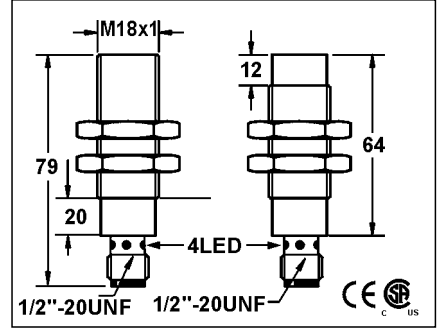
20-250 VAC, 50-60 Hz; 20-250 VDC	
DC RIPPLE <10%	
<2.5mA	
100mA	
<2.5mA	
2.2A for 20ms	
5mA	
<=10 VAC ; <=8 VDC	
25HZ AC; 40 Hz DC	
10ms/10ms	
<15%(Sr)	
<1.0% (Sr)	
IP67	
-25 °C - +70 °C	
<10% (Sr)	
YES (DC 20-30V only)	
-	
RFI>3V/m / EFT>1KV / ESD>4KV (contact)	
IEC 60947-5-2,Part 7.4.1 / IEC 60947-5-2,Part 7.4.2	
POM	
PBT	

FCM1-1202U-AUU3	52	FCM2-1204U-AUU3
FCM1-1202U-BUU3	52	FCM2-1204U-BUU3

--	--

Approx.31 g	Approx.30 g
-------------	-------------

M 18	
●	○
5 mm	8 mm
stainless steel or nickel plated brass	
●	



20-250 VAC, 50-60 Hz; 20-250 VDC	
DC RIPPLE <10%	
<2.5mA	
100mA	
<2.5mA	
2.2A for 20ms	
5mA	
<=10 VAC ; <=8 VDC	
25HZ AC; 40 Hz DC	
10ms/10ms	
<15%(Sr)	
<1.0% (Sr)	
IP67	
-25 °C - +70 °C	
<10% (Sr)	
YES (DC 20-30V only)	
-	
RFI>3V/m / EFT>1KV / ESD>4KV (contact)	
IEC 60947-5-2,Part 7.4.1 / IEC 60947-5-2,Part 7.4.2	
PBT	

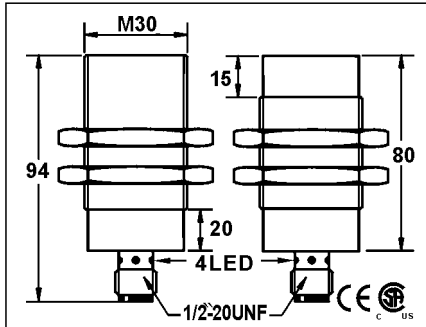
FCM1-1805U-AUU3	52	FCM2-1808U-AUU3
FCM1-1805U-BUU3	52	FCM2-1808U-BUU3

--	--

Approx.69 g	Approx.68 g
-------------	-------------

AC/DC INDUCTIVE PROXIMITY SWITCH CONNECTOR TYPE

M 30	
●	○
10 mm	15 mm
stainless steel or nickel plated brass	
●	



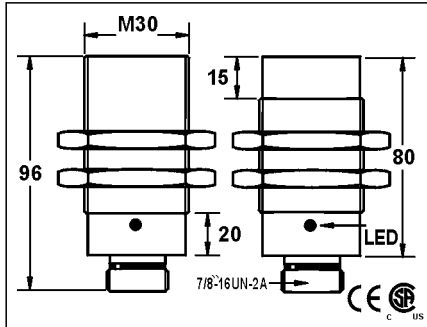
20-250 VAC, 50-60 Hz; 20-250 VDC	
DC RIPPLE <10%	
<2.5mA	
200mA	
<2.5mA	
2.2A for 20ms	
5mA	
<=10 VAC ;<=8 VDC	
25HZ AC; 40 Hz DC	
10ms/10ms	
<15% (Sr)	
<1.0% (Sr)	
IP67	
-25°C - +70°C	
<10% (Sr)	
YES	
-	
-	
RFI>3V/m / EFT>1KV / ESD>4KV (contact)	
IEC 60947-5-2, Part 7.4.1 / IEC 60947-5-2, Part 7.4.2	
PBT	

FCM1-3010U-AUU3	52	FCM2-3015U-AUU3	
FCM1-3010U-BUU3	52	FCM2-3015U-BUU3	



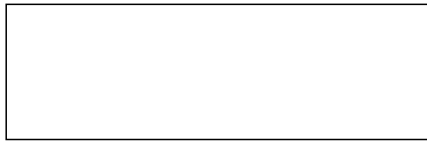
Approx.147 g	Approx.137 g
--------------	--------------

M 30	
●	○
10 mm	15 mm
stainless steel or nickel plated brass	
●	



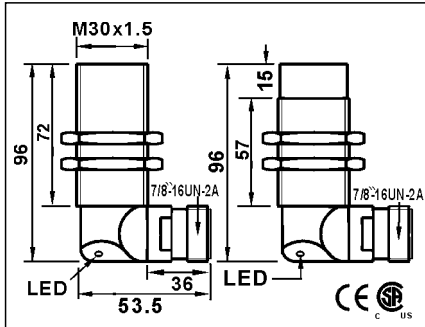
20-250 VAC, 50-60 Hz; 20-250 VDC	
DC RIPPLE <10%	
<2.5mA	
200mA	
<2.5mA	
2.2A for 20ms	
5mA	
<=10 VAC ;<=8 VDC	
25HZ AC; 40 Hz DC	
10ms/10ms	
<15% (Sr)	
<1.0% (Sr)	
IP67	
-25°C - +70°C	
<10% (Sr)	
YES	
-	
-	
RFI>3V/m / EFT>1KV / ESD>4KV (contact)	
IEC 60947-5-2, Part 7.4.1 / IEC 60947-5-2, Part 7.4.2	
PBT	

FCM1-3010U-AZU3	62	FCM2-3015U-AZU3	
FCM1-3010U-BZU3	62	FCM2-3015U-BZU3	



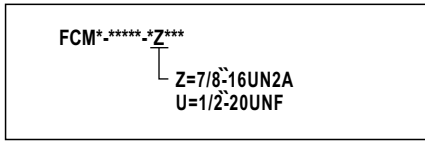
Approx.187 g	Approx.179 g
--------------	--------------

M 30	
●	○
10 mm	15 mm
stainless steel or nickel plated brass	
●	



20-250 VAC, 50-60 Hz; 20-250 VDC	
DC RIPPLE <10%	
<2.5mA	
200mA	
<2.5mA	
2.2A for 20ms	
5mA	
<=10 VAC ;<=8 VDC	
25HZ AC; 40 Hz DC	
10ms/10ms	
<15% (Sr)	
<1.0% (Sr)	
IP67	
-25°C - +70°C	
<10% (Sr)	
YES	
-	
-	
RFI>3V/m / EFT>1KV / ESD>4KV (contact)	
IEC 60947-5-2, Part 7.4.1 / IEC 60947-5-2, Part 7.4.2	
PBT	

FCM1-3010U-AZU3Y	62	FCM2-3015U-AZU3Y	
FCM1-3010U-BZU3Y	62	FCM2-3015U-BZU3Y	



Approx.311 g	Approx.356 g
--------------	--------------

