

PART V-01 ~ V-07

Diameter

● Shielded ○ non-Shielded

Switching Distance Sn mm

Housing Material

● Have LED ○ Without LED

Dimensions (unit: mm)

Operating Voltage

Ripple

No Load Current

Max. Load Current

Leakge Current

Surge Current

Min. Load Current

Voltage Drop

Switching Frequency

Response Time

Switching Hysteresis

Repeat Accuracy

Protection Category

Operating Temperature

Temperature Drift

Short Circuit Protection

Overload Trip Point

Time Delay Before Availability

EMC

Shock / Vibration

Material Active Face

DC 3 wire 10-30V NPN N.O.

DC 3 wire 10-30V NPN N.C.

DC 3 wire 10-30V PNP N.O.

DC 3 wire 10-30V PNP N.C.

DC 4 wire 10-30V Changeover PNP (N.O. & N.C.)

DC 4 wire 10-30V Changeover NPN (N.O. & N.C.)

DC 2 wire 10-60V N.O.

DC 2 wire 10-60V N.C.

DC 3 wire 10-55v NPN N.O. or NAMUR

DC 3 wire 10-55v NPN N.C.

DC 3 wire 10-55v PNP N.O.

DC 3 wire 10-55v PNP N.C.

AC 2 wire 20-250V N.O.

AC 2 wire 20-250V N.C.

AC 2 wire 20-250V N.O. or N.C. Changeable

AC/DC 2 wire 20-250V N.O.

AC/DC 2 wire 20-250V N.C.

AC/DC 2 wire 20-250V N.O. or N.C. Changeable

Remark

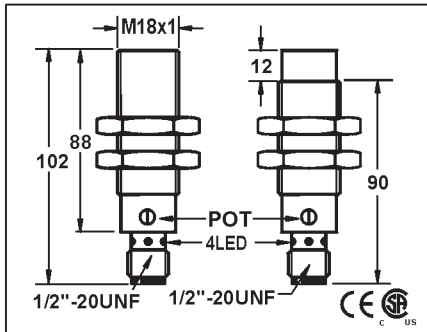
Cable 2M (PVC)

Weight

Please put each catalog page in the blank. The specification on the left will help your reading.

AC/DC CAPACITIVE PROXIMITY SWITCH CONNECTOR TYPE

M18	
●	○
2-8 mm adjustable	2-15 mm adjustable
stainless steel or nickel plated brass	

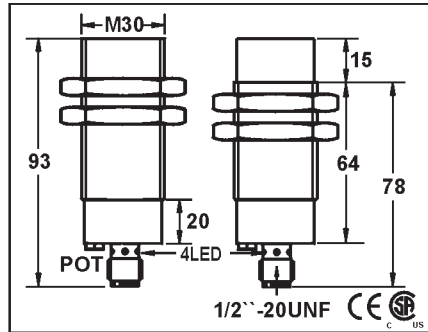


20-250VAC,50-60Hz;20-250VDC
DC RIPPLE <10%
<2.5mA
200mA
<2.5mA
2.2A for 20ms
5mA
<=10VAC;<=8VDC
25HZ AC;40Hz DC
10ms/10ms
1%-15% of Sensing Range
<1%(Sr)
IP67
-25°C- +70°C
<+/-15% of Sensing Range
-
-
-
RFI>3V/m / EFT>1KV / ESD>4KV (contact)
IEC 60947-5-2,Part 7.4.1 / IEC 60947-5-2,Part 7.4.2
PBT

CCM1-1808U-AUL3	52	CCM2-1815U-AUL3
CCM1-1808U-BUL3	52	CCM2-1815U-BUL3

approx.69g

M30	
●	○
2-15 mm adjustable	2-20 mm adjustable
stainless steel or nickel plated brass	

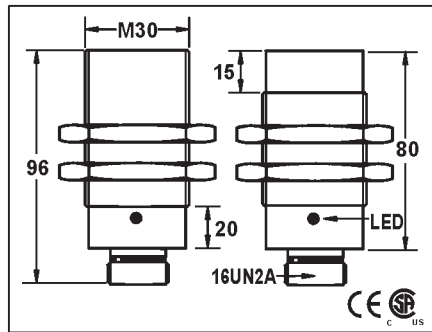


20-250VAC,50-60Hz;20-250VDC
DC RIPPLE <10%
<2.5mA
200mA
<2.5mA
2.2A for 20ms
5mA
<=10VAC;<=8VDC
25HZ AC;40Hz DC
10ms/10ms
1%-15% of Sensing Range
<1%(Sr)
IP67
-25°C- +70°C
<+/-15% of Sensing Range
-
-
-
RFI>3V/m / EFT>1KV / ESD>4KV (contact)
IEC 60947-5-2,Part 7.4.1 / IEC 60947-5-2,Part 7.4.2
PBT

CCM1-3015U-AUL3	52	CCM2-3020U-AUL3
CCM1-3015U-BUL3	52	CCM2-3020U-BUL3

approx.147g approx.137g

M30	
●	○
2-15 mm adjustable	2- 20 mm adjustable
stainless steel or nickel plated brass	



20-250VAC,50-60Hz;20-250VDC
DC RIPPLE <10%
<2.5mA
200mA
<2.5mA
2.2A for 20ms
5mA
<=10VAC;<=8VDC
25HZ AC;40Hz DC
10ms/10ms
1%-15% of Sensing Range
<1%(Sr)
IP67
-25°C- +70°C
<+/-15% of Sensing Range
-
-
-
RFI>3V/m / EFT>1KV / ESD>4KV (contact)
IEC 60947-5-2,Part 7.4.1 / IEC 60947-5-2,Part 7.4.2
PBT

CCM1-3015U-AZL3	61	CCM2-3020U-AZL3
CCM1-3015U-BZL3	61	CCM2-3020U-BZL3

approx.147g approx.137g

AC/DC CAPACITIVE PLASTIC HOUSING CONNECTOR TYPE

M18		
●	○	
2-8 mm adjustable	2-15 mm adjustable	
PBT RESIN		
20-250VAC,50-60Hz;20-250VDC		
DC RIPPLE <10%		
<2.5mA		
200mA		
<2.5mA		
2.2A for 20ms		
5mA		
<=10VAC;<=8VDC		
25HZ AC;40Hz DC		
10ms/10ms		
1%-15% of Sensing Range		
<1%(Sr)		
IP67		
-25°C- +70°C		
<+/-15% of Sensing Range		
-		
-		
-		
RFI>3V/m / EFT>1KV / ESD>4KV (contact)		
IEC 60947-5-2,Part 7.4.1 / IEC 60947-5-2,Part 7.4.2		
PBT		
CCP1-1808U-AUL3	54	CCP2-1815U-AUL3
CCP1-1808U-BUL3	54	CCP2-1815U-BUL3
approx.79g		
approx.80g		

φ20		
●	○	
2-12 mm adjustable	2-20 mm adjustable	
PBT RESIN		
20-250VAC,50-60Hz;20-250VDC		
DC RIPPLE <10%		
<2.5mA		
200mA		
<2.5mA		
2.2A for 20ms		
5mA		
<=10VAC;<=8VDC		
25HZ AC;40Hz DC		
10ms/10ms		
1%-15% of Sensing Range		
<1%(Sr)		
IP67		
-25°C- +70°C		
<+/-15% of Sensing Range		
-		
-		
-		
RFI>3V/m / EFT>1KV / ESD>4KV (contact)		
IEC 60947-5-2,Part 7.4.1 / IEC 60947-5-2,Part 7.4.2		
PBT		
CCP1-D2012U-AUL3	54	CCP2-D2020U-AUL3
CCP1-D2012U-BUL3	54	CCP2-D2020U-BUL3
approx.57g		

M30		
●	○	
2-15 mm adjustable	2-20 mm adjustable	
PBT RESIN		
20-250VAC,50-60Hz;20-250VDC		
DC RIPPLE <10%		
<2.5mA		
200mA		
<2.5mA		
2.2A for 20ms		
5mA		
<=10VAC;<=8VDC		
25HZ AC;40Hz DC		
10ms/10ms		
1%-15% of Sensing Range		
<5%(Sr)		
IP67		
-25°C- +70°C		
<+/-15% of Sensing Range		
-		
-		
-		
RFI>3V/m / EFT>1KV / ESD>4KV (contact)		
IEC 60947-5-2,Part 7.4.1 / IEC 60947-5-2,Part 7.4.2		
PBT		
CCP1-3015U-AUL3	54	CCP2-3020U-AUL3
CCP1-3015U-BUL3	54	CCP2-3020U-BUL3
approx.120g		

