

# PART D-01 ~ D-13

Diameter

● Shielded    ○ non-Shielded

Switching Distance Sn mm

Housing Material

● With LED    ○ Without LED

Dimensions (unit: mm)

Operating Voltage

Ripple

No Load Current

Max. Load Current

Leakge Current

Surge Current

Min. Load Current

Voltage Drop

Switching Frequency

Response Time

Switching Hysteresis

Repeat Accuracy

Protection Category

Operating Temperature

Temperature Drift

Short Circuit Protection

Overload Trip Point

Time Delay Before Availability

EMC

Shock / Vibration

Material Active Face

DC 3 wire 10-30V NPN N.O.

DC 3 wire 10-30V NPN N.C.

DC 3 wire 10-30V PNP N.O.

DC 3 wire 10-30V PNP N.C.

DC 4 wire 10-30V Changeover PNP (N.O. & N.C.)

DC 4 wire 10-30V Changeover NPN (N.O. & N.C.)

DC 2 wire 10-60V N.O.

DC 2 wire 10-60V N.C.

DC 3 wire 10-55v NPN N.O. or NAMUR

DC 3 wire 10-55v NPN N.C.

DC 3 wire 10-55v PNP N.O.

DC 3 wire 10-55v PNP N.C.

AC 2 wire 20-250V N.O.

AC 2 wire 20-250V N.C.

AC 2 wire 20-250V N.O. or N.C. Changeable

AC/DC 2 wire 20-250V N.O.

AC/DC 2 wire 20-250V N.C.

AC/DC 2 wire 20-250V N.O. or N.C. Changeable

Remark

Cable 2M (PVC)

Weight

Please put each catalog page in the blank. The specification on the left will help your reading.

# AC INDUCTIVE PROXIMITY SWITCH

M 12		
●	○	
2 mm	4 mm	
stainless steel or nickel plated brass		
●		
20-250VAC - <1.8mA 400mA <1.8mA 5A(20ms) 5mA <8VAC AT 400mA <25HZ 10ms/10ms <15%(Sr) <1.0%(Sr) IP67 -25 °C - +70 °C <10%(Sr) NO - - RFI>3V/m / EFT>1KV / ESD>4KV (contact) IEC 60947-5-2,Part 7.4.1 / IEC 60947-5-2,Part 7.4.2 POM                      PBT		
FCM1-1202A-A3L2	11	FCM2-1204A-A3L2
FCM1-1202A-B3L2	12	FCM2-1204A-B3L2
4 $\phi$ 3x0.34		
Approx.77 g	Approx.76 g	

M 12		
●	○	
2 mm	4 mm	
stainless steel or nickel plated brass		
●		
20-250VAC - <1.8mA 400mA <1.8mA 5A(20ms) 5mA <8VAC AT 400MA <25HZ 10ms/10ms <15%(Sr) <1.0%(Sr) IP67 -25 °C - +70 °C <10%(Sr) NO - - RFI>3V/m / EFT>1KV / ESD>4KV (contact) IEC 60947-5-2,Part 7.4.1 / IEC 60947-5-2,Part 7.4.2 POM                      PBT		
FCM1-1202A-A3L2Y	11	FCM2-1204A-A3L2Y
FCM1-1202A-B3L2Y	12	FCM2-1204A-B3L2Y
4 $\phi$ 3x0.34		
Approx.77 g	Approx.76 g	

M 12		
●	○	
2 mm	4 mm	
stainless steel or nickel plated brass		
●		
20-250VAC - <1.8mA 400mA <1.8mA 5A(20ms) 5mA <8VAC AT 400MA <25HZ 10ms/10ms <15%(Sr) <1.0%(Sr) IP67 -25 °C - +70 °C <10%(Sr) NO - - RFI>3V/m / EFT>1KV / ESD>4KV (contact) IEC 60947-5-2,Part 7.4.1 / IEC 60947-5-2,Part 7.4.2 POM		
FCM1-1202A-A3L2Z	11	FCM2-1204A-A3L2Z
FCM1-1202A-B3L2Z	12	FCM2-1204A-B3L2Z
4 $\phi$ 3x0.34		
Approx.77 g	Approx.76 g	

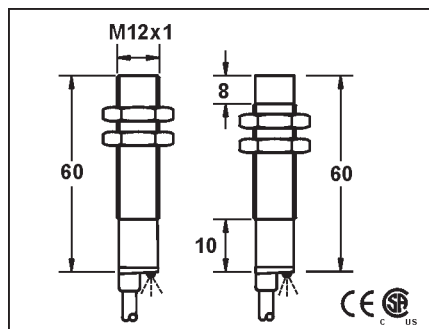






## AC INDUCTIVE PLASTIC HOUSING PROXIMITY SWITCH

M 12	
●	○
2 mm	4 mm
PBT RESIN	
●	



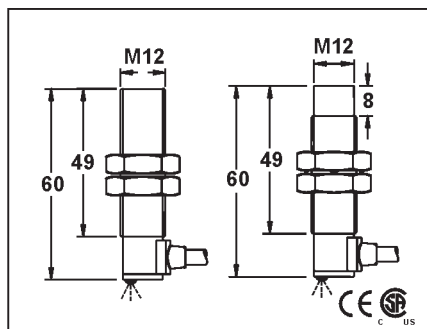
20-250VAC
-
<1.8mA
400mA
<1.8mA
5A(20ms)
5mA
<8VAC at 400mA
<25HZ
10ms/10ms
<15%(Sr)
<1.0%(Sr)
IP67
-25 °C - +70 °C
<10%(Sr)
NO
-
-
RFI>3V/m / EFT>1KV / ESD>4KV (contact)
IEC 60947-5-2,Part 7.4.1 / IEC 60947-5-2,Part 7.4.2
POM
PBT

FCP1-1202A-A2L2	9	FCP2-1204A-A2L2
FCP1-1202A-B2L2	10	FCP2-1204A-B2L2



4 ∅ 2x0.34  
Approx.68 g

M 12	
●	○
2 mm	4 mm
PBT RESIN	
●	



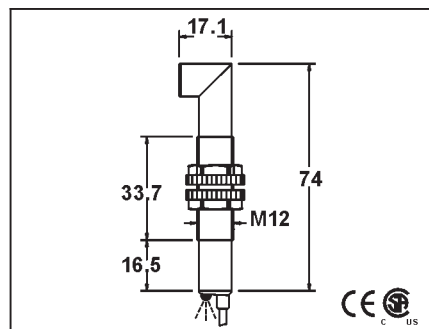
20-250VAC
-
<1.8mA
400mA
<1.8mA
5A(20ms)
5mA
<8VAC at 400MA
<25HZ
10ms/10ms
<15%(Sr)
<1.0%(Sr)
IP67
-25 °C - +70 °C
<10%(Sr)
NO
-
-
RFI>3V/m / EFT>1KV / ESD>4KV (contact)
IEC 60947-5-2,Part 7.4.1 / IEC 60947-5-2,Part 7.4.2
POM
PBT

FCP1-1202A-A2L2Y	9	FCP2-1204A-A2L2Y
FCP1-1202A-B2L2Y	10	FCP2-1204A-B2L2Y



4 ∅ 2x0.34  
Approx.68 g

M 12	
●	○
2 mm	4 mm
PBT RESIN	
●	



20-250VAC
-
<1.8mA
400mA
<1.8mA
5A(20ms)
5mA
<8VAC at 400MA
<25HZ
10ms/10ms
<15%(Sr)
<1.0%(Sr)
IP67
-25 °C - +70 °C
<10%(Sr)
NO
-
-
RFI>3V/m / EFT>1KV / ESD>4KV (contact)
IEC 60947-5-2,Part 7.4.1 / IEC 60947-5-2,Part 7.4.2
POM

FCP1-1202A-A2L2Z	9	FCP2-1204A-A2L2Z
FCP1-1202A-B2L2Z	10	FCP2-1204A-B2L2Z

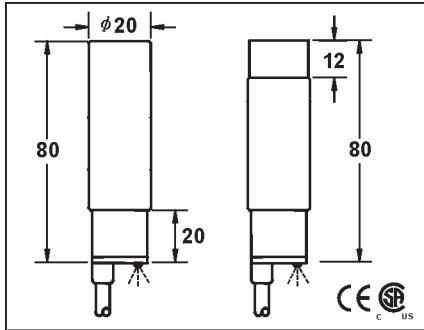


4 ∅ 2x0.34  
Approx.77 g



AC INDUCTIVE PLASTIC HOUSING PROXIMITY SWITCH

ϕ20	
●	○
5 mm	8 mm
PBT RESIN	
●	

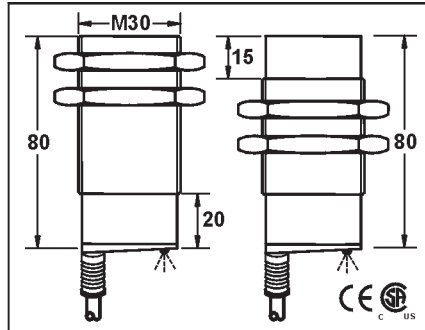


20-250VAC		
-	-	-
<1.8mA	<1.8mA	<1.8mA
400mA	400mA	400mA
<1.8mA	<1.8mA	<1.8mA
5A(20ms)	5A(20ms)	5A(20ms)
5mA	5mA	5mA
<8VAC AT 400MA	<8VAC AT 400MA	<8VAC AT 400MA
<25HZ	<25HZ	<25HZ
10ms/10ms	10ms/10ms	10ms/10ms
<15%(Sr)	<15%(Sr)	<15%(Sr)
<1.0%(Sr)	<1.0%(Sr)	<1.0%(Sr)
IP67	IP67	IP67
-25°C - +70°C	-25°C - +70°C	-25°C - +70°C
<10%(Sr)	<10%(Sr)	<10%(Sr)
NO	NO	NO
-	-	-
-	-	-
RFI>3V/m / EFT>1KV / ESD>4KV (contact)	RFI>3V/m / EFT>1KV / ESD>4KV (contact)	RFI>3V/m / EFT>1KV / ESD>4KV (contact)
IEC 60947-5-2,Part 7.4.1 / IEC 60947-5-2,Part 7.4.2	IEC 60947-5-2,Part 7.4.1 / IEC 60947-5-2,Part 7.4.2	IEC 60947-5-2,Part 7.4.1 / IEC 60947-5-2,Part 7.4.2
PBT		

FCP1-D2005A-A2L2	9	FCP2-D2008A-A2L2
FCP1-D2005A-B2L2	10	FCP2-D2008A-B2L2
FCP1-D2005A-S4L2	14	FCP2-D2008A-S4L2

5.8 ϕ2x0.5
Approx.153 g

M30	
●	○
10 mm	15 mm
PBT RESIN	
●	

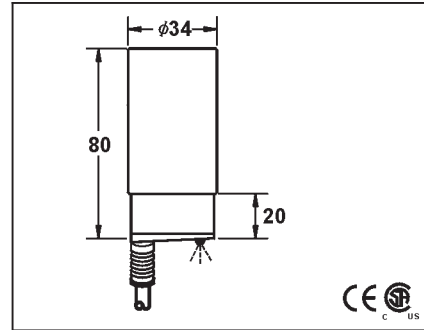


20-250VAC		
-	-	-
<1.8mA	<1.8mA	<1.8mA
400mA	400mA	400mA
<1.8mA	<1.8mA	<1.8mA
5A(20ms)	5A(20ms)	5A(20ms)
5mA	5mA	5mA
<8VAC AT 400MA	<8VAC AT 400MA	<8VAC AT 400MA
<25HZ	<25HZ	<25HZ
10ms/10ms	10ms/10ms	10ms/10ms
<15%(Sr)	<15%(Sr)	<15%(Sr)
<1.0%(Sr)	<1.0%(Sr)	<1.0%(Sr)
IP67	IP67	IP67
-25°C - +70°C	-25°C - +70°C	-25°C - +70°C
<10%(Sr)	<10%(Sr)	<10%(Sr)
NO	NO	NO
-	-	-
-	-	-
RFI>3V/m / EFT>1KV / ESD>4KV (contact)	RFI>3V/m / EFT>1KV / ESD>4KV (contact)	RFI>3V/m / EFT>1KV / ESD>4KV (contact)
IEC 60947-5-2,Part 7.4.1 / IEC 60947-5-2,Part 7.4.2	IEC 60947-5-2,Part 7.4.1 / IEC 60947-5-2,Part 7.4.2	IEC 60947-5-2,Part 7.4.1 / IEC 60947-5-2,Part 7.4.2
PBT		

FCP1-3010A-A2L2	9	FCP2-3015A-A2L2
FCP1-3010A-B2L2	10	FCP2-3015A-B2L2
FCP1-3010A-S4L2	14	FCP2-3015A-S4L2

5.8 ϕ2x0.5
Approx.187 g

ϕ34	
●	○
15 mm	20 mm
PBT RESIN	
●	



20-250VAC		
-	-	-
<1.8mA	<1.8mA	<1.8mA
400mA	400mA	400mA
<1.8mA	<1.8mA	<1.8mA
5A(20ms)	5A(20ms)	5A(20ms)
5mA	5mA	5mA
<8VAC AT 400MA	<8VAC AT 400MA	<8VAC AT 400MA
<25HZ	<25HZ	<25HZ
10ms/10ms	10ms/10ms	10ms/10ms
<15%(Sr)	<15%(Sr)	<15%(Sr)
<1.0%(Sr)	<1.0%(Sr)	<1.0%(Sr)
IP67	IP67	IP67
-25°C - +70°C	-25°C - +70°C	-25°C - +70°C
<10%(Sr)	<10%(Sr)	<10%(Sr)
NO	NO	NO
-	-	-
-	-	-
RFI>3V/m / EFT>1KV / ESD>4KV (contact)	RFI>3V/m / EFT>1KV / ESD>4KV (contact)	RFI>3V/m / EFT>1KV / ESD>4KV (contact)
IEC 60947-5-2,Part 7.4.1 / IEC 60947-5-2,Part 7.4.2	IEC 60947-5-2,Part 7.4.1 / IEC 60947-5-2,Part 7.4.2	IEC 60947-5-2,Part 7.4.1 / IEC 60947-5-2,Part 7.4.2
PBT		

FCP1-D3415A-A2L2	9	FCP2-D3420A-A2L2
FCP1-D3415A-B2L2	10	FCP2-D3420A-B2L2
FCP1-D3415A-S4L2	14	FCP2-D3420A-S4L2

5.8 ϕ2x0.5(5.8 ϕ4x0.5)
Approx.199 g













